



## Artisan Technology Group is your source for quality new and certified-used/pre-owned equipment

- FAST SHIPPING AND DELIVERY
- TENS OF THOUSANDS OF IN-STOCK ITEMS
- EQUIPMENT DEMOS
- HUNDREDS OF MANUFACTURERS SUPPORTED
- LEASING/MONTHLY RENTALS
- ITAR CERTIFIED SECURE ASSET SOLUTIONS

### SERVICE CENTER REPAIRS

Experienced engineers and technicians on staff at our full-service, in-house repair center

### *InstraView*<sup>SM</sup> REMOTE INSPECTION

Remotely inspect equipment before purchasing with our interactive website at [www.instraview.com](http://www.instraview.com) ↗

### WE BUY USED EQUIPMENT

Sell your excess, underutilized, and idle used equipment. We also offer credit for buy-backs and trade-ins. [www.artisanng.com/WeBuyEquipment](http://www.artisanng.com/WeBuyEquipment) ↗

### LOOKING FOR MORE INFORMATION?

Visit us on the web at [www.artisanng.com](http://www.artisanng.com) ↗ for more information on price quotations, drivers, technical specifications, manuals, and documentation

**Contact us:** (888) 88-SOURCE | [sales@artisanng.com](mailto:sales@artisanng.com) | [www.artisanng.com](http://www.artisanng.com)

# **ADC-PMC2-C1 User Manual**



**Version 1.2**

# ADC-PMC-2 User Manual

---

Copyright © 2002-2008 Alpha Data Parallel Systems Ltd. All rights reserved.

This publication is protected by Copyright Law, with all rights reserved. No part of this publication may be reproduced, in any shape or form, without prior written consent from Alpha Data Parallel Systems Limited.

Alpha Data  
4 West Silvermills Lane  
Edinburgh EH3 5BD  
UK

Phone: +44 (0) 131 558 2600  
Fax: +44 (0) 131 558 2700  
Email: [support@alphadata.co.uk](mailto:support@alphadata.co.uk)

Alpha Data  
2570 North First Street, Suite 440  
San Jose, CA 95131  
USA

Phone: (408) 467 5076  
Fax: (866) 820 9956  
Email: [support@alpha-data.com](mailto:support@alpha-data.com)

# ADC-PMC-2 User Manual

---

## **Reserved rights**

This manual is designed to provide outline information only. Alpha Data has a continual policy of improving its products; hence it reserves the right to change product specification without prior warning. Alpha Data cannot accept any liability for loss or damages arising from the use of this manual or the use of products detailed within it.

## **Trademark acknowledgements**

MS-DOS, Windows95 and Windows NT are registered trademarks of Microsoft Corporation.

Intel is a registered trademark of Intel Corporation.

## **Warranty and Support**

All Alpha Data products enjoy parts and labour warranty for 12 months after purchase. The warranty is based on the customer returning the defective goods to Alpha Data for repair or replacement, which will be at the discretion of the company. The warranty does not cover damages caused by negligence, misuse, and normal wear and tear. No liability is accepted by the company for any damage caused by the use of its hardware or software.

All goods from Alpha Data carry a 6 months free support service. This service is available by letter, phone, fax, and email. Technical support contracts for longer periods are available on request. Support contracts for software components also normally cover the cost of upgrades.

## Table of Contents

1. Introduction.....	1
1.1. About the Hardware.....	1
1.2. Description.....	1
2. Installation.....	1
2.1. Into a PC.....	1
2.2. Adding PMC cards.....	1
2.3. Software Support.....	1
3. Hardware Pin-out Information.....	1
3.1. Jumpers.....	1
3.2. Special Modes.....	2
3.3. JP1 Additional Notes.....	2
3.4. J1 PCI Connector.....	2
3.5. J2 JTAG Connector.....	2
3.6. J4 Header Configuration.....	3

## 1. Introduction

### 1.1. About the Hardware

The ADC-PMC2 is a 64-bit PCI carrier card for PMC modules. It can be used in 3V and 5V signalling environments and in both 32 and 64-bit slots. There are two PMC slots on the standard card and these can also support 32 or 64-bit operation. The secondary bus VIO can be configured in the factory for 5V or 3V operation. The default is 3V operation.

The ADC-PMC2 carrier card also supports features of the ADM-XRC FPGA board in a PCI environment with the provision of Pn4 routing between the two PMC sites and selectively to a 64-way header.

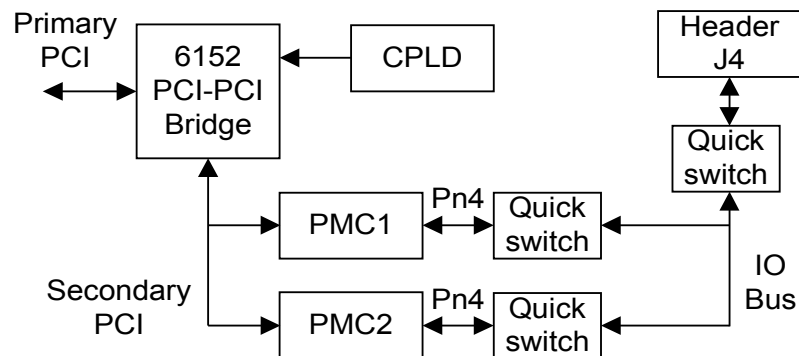
Both primary and secondary bus interfaces are rated at up to 66MHz operation.

### 1.2. Description

The ADC-PMC2 is based on the PLX 6152 64-bit PCI-PCI bridge. This device supports 64 or 32 bit primary PCI and 64 or 32-bit secondary PCI.

Each of the two primary PMC sites supports Pn4 IO with quick-switch isolation to permit various IO combinations. A set of jumpers on the board enables each of the quick-switch blocks.

The IO-Bus is 64 bits wide and connects to all 64 signals from the Pn4 connector of each PMC site. Further, all of the IO-Bus can be routed to the J4 header through a quick-switch block that provides a level of protection to the IO bus signals by limiting the external signal levels.



## 2. Installation

In order to ensure that the board operates correctly first time, please read these instructions completely before attempting installation. It will also help you to read the whole manual first so that you know how you want the board to be set up. Figure 1 shows the physical layout of the board. The installation instructions for your PC should be followed at all times.

### 2.1. Into a PC

The ADC-PMC2 is a universal PCI device meaning that it can be used in both 3V and 5V signalling environments.

### 2.2. Adding PMC cards

Fit any PMC modules that are required. If only one PMC module is to be fitted, either site can be used. PMC site #1 is positioned so that an I/O connector on the module aligns with the aperture in the ADC-PMC2's edge panel. The PMC modules should be supplied with mounting kits, which normally include spacers, nuts, bolts and washers. Figure 1 shows the typical assembly of a PMC to the ADC-PMC2. It is recommended that washers be used on both sides of the ADC-PMC2 to avoid damage to the PCB.

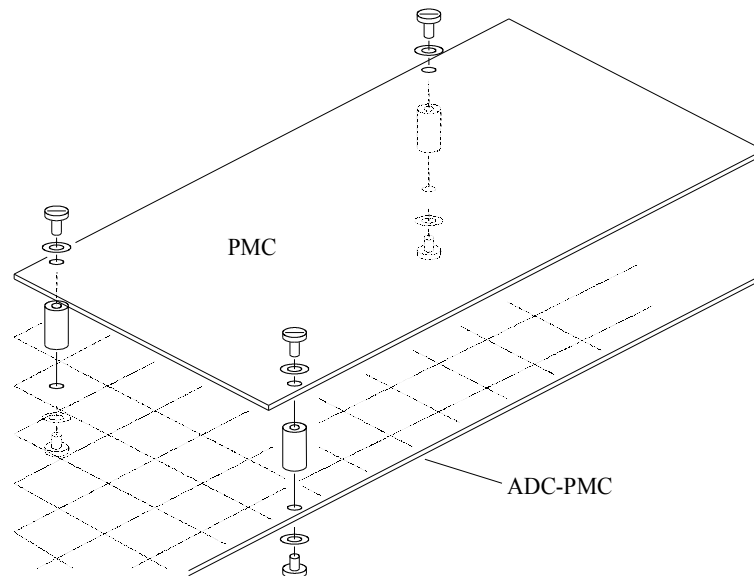


Figure 1 Assembly of a PMC to the ADC-PMC2

### 2.3. Software Support

The ADC-PMC2 uses a PLX 6152 64-bit bridge device that is compatible with most operating systems that adhere to the PCI Bios specification.

No software is required to enable operation of the ADC-PMC2.

### 3. Hardware Pin-out Information

#### 3.1. Jumpers

There are 10 jumper sites on the board that are used for configuration settings.

Jumper	Usage	Fitted	Not Fitted
JP1	Secondary PCI bus clock select	33MHz PMC Bus	Auto select PMC clock
JP2	PMC1 Monarch	Not supported	
JP3	Option1	PMC1 Pn4 connected to IO bus	PMC Pn4 isolated
JP4	PMC2 Monarch	Not supported	
JP5	Option2	PMC2 Pn4 connected to IO bus	PMC2 Pn4 isolated
JP6	PMC3 Monarch	Not supported	
JP7	Option3	Header J4 connected to IO bus	Header J4 isolated
JP8	Option4	Special Mode 1	
JP9	Option5	Special Mode 2	
JP10	Option6	Not supported	

**Notes.**

- JP2, JP4, JP6 and JP10 are reserved for future use. Do not fit links in these positions.
- JP3, JP5 and JP7 can be fitted in any combination. Check the Pn4 information for the PMC's that are fitted to ensure there are no contention issues.
- See following section for Special Modes



## 3.2. Special Modes

There are two modes available using JP8 and JP9. The configurations selected by these jumpers are shown in the diagrams below.

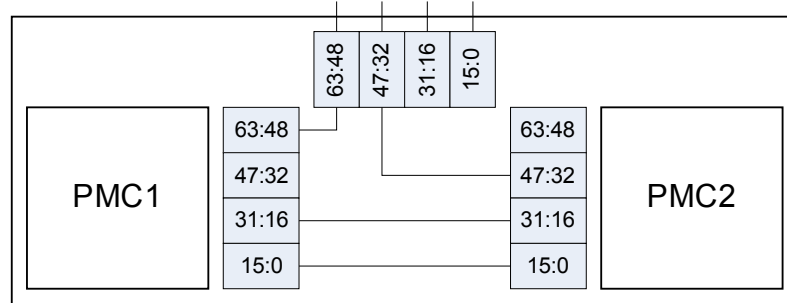


Figure 2 JP8 Installed

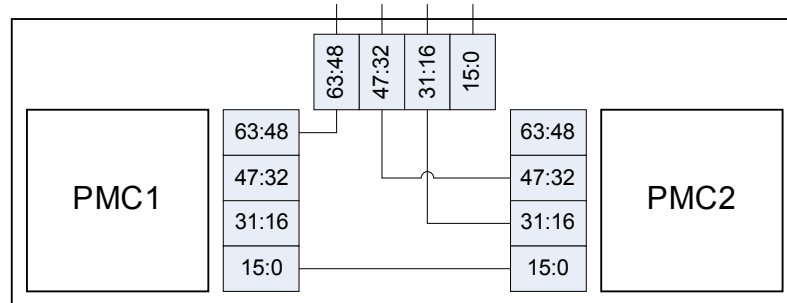


Figure 3 JP8 and JP9 Installed

## 3.3. JP1 Additional Notes

JP1 is connected to the M66EN signal of the secondary PCI bus connecting the bridge to the PMC sites. It is necessary to fit this link if the ADC-PMC2 is fitted to 33MHz PCI slots and there are only 66MHz capable cards fitted to the PMC slots. In all other cases the link can be removed for automatic PCI clock control.

## 3.4. J1 PCI Connector

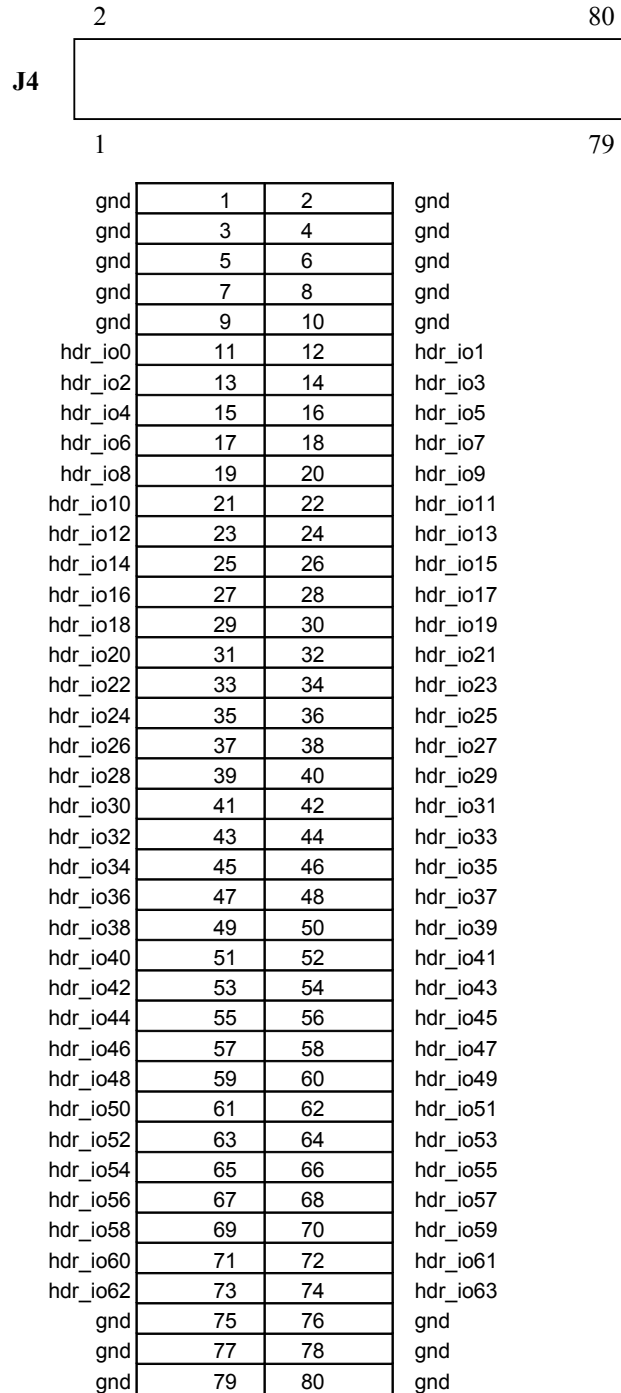
This is a standard edge connector for PCI and is compatible with 32-bit slots with 3V or 5V signalling and 64-bit slots with 3V signalling.

## 3.5. J2 JTAG Connector

This connector provides access to the CPLD, U2, and should only be used in manufacturing as changes to this device could cause system failure.

## 3.6. J4 Header Configuration

The IO header, J4, is suitable for mating with IDC connectors and is a RN P50E-080-P1-SR1-TG or equivalent.



The IO header is optimised for LVDS pairing to ADM-XRC-II Pn4 connections. All even number `hdr_io` signals are “P” with odd numbers being “N”. For example `hdr_io0/1` are a P/N pair.

# ADC-PMC2 User Manual

---

## Revision History

Date	Rev	Comment
October-2007	1.1	Created from standard manual version 1.1



## Artisan Technology Group is your source for quality new and certified-used/pre-owned equipment

- FAST SHIPPING AND DELIVERY
- TENS OF THOUSANDS OF IN-STOCK ITEMS
- EQUIPMENT DEMOS
- HUNDREDS OF MANUFACTURERS SUPPORTED
- LEASING/MONTHLY RENTALS
- ITAR CERTIFIED SECURE ASSET SOLUTIONS

### SERVICE CENTER REPAIRS

Experienced engineers and technicians on staff at our full-service, in-house repair center

### *InstraView*<sup>SM</sup> REMOTE INSPECTION

Remotely inspect equipment before purchasing with our interactive website at [www.instraview.com](http://www.instraview.com) ↗

### WE BUY USED EQUIPMENT

Sell your excess, underutilized, and idle used equipment. We also offer credit for buy-backs and trade-ins. [www.artisanng.com/WeBuyEquipment](http://www.artisanng.com/WeBuyEquipment) ↗

### LOOKING FOR MORE INFORMATION?

Visit us on the web at [www.artisanng.com](http://www.artisanng.com) ↗ for more information on price quotations, drivers, technical specifications, manuals, and documentation

**Contact us:** (888) 88-SOURCE | [sales@artisanng.com](mailto:sales@artisanng.com) | [www.artisanng.com](http://www.artisanng.com)