



Artisan Technology Group is your source for quality new and certified-used/pre-owned equipment

- FAST SHIPPING AND DELIVERY
- TENS OF THOUSANDS OF IN-STOCK ITEMS
- EQUIPMENT DEMOS
- HUNDREDS OF MANUFACTURERS SUPPORTED
- LEASING/MONTHLY RENTALS
- ITAR CERTIFIED SECURE ASSET SOLUTIONS

SERVICE CENTER REPAIRS

Experienced engineers and technicians on staff at our full-service, in-house repair center

*InstraView*SM REMOTE INSPECTION

Remotely inspect equipment before purchasing with our interactive website at www.instraview.com ↗

WE BUY USED EQUIPMENT

Sell your excess, underutilized, and idle used equipment. We also offer credit for buy-backs and trade-ins. www.artisanng.com/WeBuyEquipment ↗

LOOKING FOR MORE INFORMATION?

Visit us on the web at www.artisanng.com ↗ for more information on price quotations, drivers, technical specifications, manuals, and documentation

Contact us: (888) 88-SOURCE | sales@artisanng.com | www.artisanng.com

CompactPCI and PMC to PCI bus Form Factor Adaptors

FEATURE SUMMARY

794- PCI to CPCI with bridge

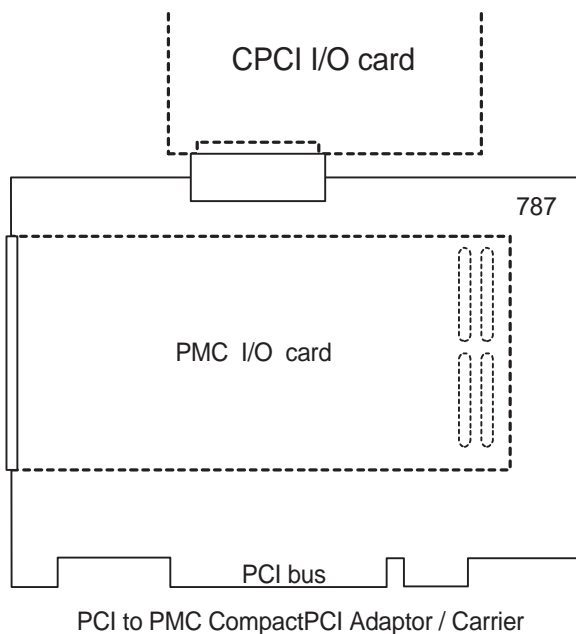
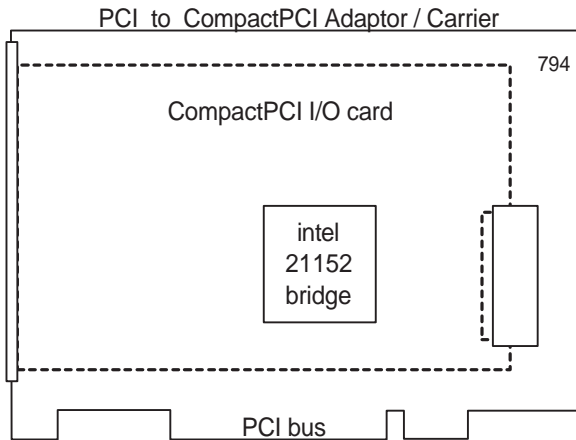
- Half size PCI Form factor
- Intel 21152 bridge chip
- Holds one 3U CompactPCI board
- Single slot solution
- Front panel opening for I/O connectors
- Ideal for engineering software development

787- 1 & -2 PCI to PMC/CPCI

- Half size PCI Form factor
- Holds one PMC module 3U
- Extender for one CompactPCI board
- Single slot solution
- Front panel opening for I/O connectors
- Ideal for engineering software development or use as an extender for hardware development & debug

OVERVIEW

The 794 was developed for customers who have invested in CPCI modules that want to use in low cost PCI systems. The 787-1 is an excellent engineering tool for use, test and debug as well as software development of PMC module. The 787-2 is for CompactPCI debug and test. Both allows engineers to use low cost desk top PCI systems for application and product development.



ORDERING INFORMATION

p/n:	PCI-CPCI-adpt	794 PCI to CPCI w/ bridge
	PCI-PMC-adpt	787-1 PCI-PMC
	PCI-CPCI-adpt	787-2 PCI-CPCI

© Copyright 2001 by ALPHI TECHNOLOGY
6202 South Maple Ave., Suite 120 Tempe, Arizona 85283
PHONE (480) 838-2428 FAX (480) 838-4477 www.alphitech.com





Artisan Technology Group is your source for quality new and certified-used/pre-owned equipment

- FAST SHIPPING AND DELIVERY
- TENS OF THOUSANDS OF IN-STOCK ITEMS
- EQUIPMENT DEMOS
- HUNDREDS OF MANUFACTURERS SUPPORTED
- LEASING/MONTHLY RENTALS
- ITAR CERTIFIED SECURE ASSET SOLUTIONS

SERVICE CENTER REPAIRS

Experienced engineers and technicians on staff at our full-service, in-house repair center

*InstraView*SM REMOTE INSPECTION

Remotely inspect equipment before purchasing with our interactive website at www.instraview.com ↗

WE BUY USED EQUIPMENT

Sell your excess, underutilized, and idle used equipment. We also offer credit for buy-backs and trade-ins. www.artisanng.com/WeBuyEquipment ↗

LOOKING FOR MORE INFORMATION?

Visit us on the web at www.artisanng.com ↗ for more information on price quotations, drivers, technical specifications, manuals, and documentation

Contact us: (888) 88-SOURCE | sales@artisanng.com | www.artisanng.com