



# Artisan Scientific

QUALITY INSTRUMENTATION ... GUARANTEED

## Looking for more information?

Visit us on the web at <http://www.artisan-scientific.com> for more information:

- Price Quotations
- Drivers
- Technical Specifications, Manuals and Documentation

## Artisan Scientific is Your Source for Quality New and Certified-Used/Pre-owned Equipment

- Tens of Thousands of In-Stock Items
- Hundreds of Manufacturers Supported
- Fast Shipping and Delivery
- Leasing / Monthly Rentals
- Equipment Demos
- Consignment

### Service Center Repairs

Experienced Engineers and Technicians on staff in our State-of-the-art Full-Service In-House Service Center Facility

### InstraView™ Remote Inspection

Remotely inspect equipment before purchasing with our Innovative InstraView™ website at <http://www.instraview.com>

### We buy used equipment! We also offer credit for Buy-Backs and Trade-Ins

Sell your excess, underutilized, and idle used equipment. Contact one of our Customer Service Representatives today!

Talk to a live person: 888-88-SOURCE (888-887-6872) | Contact us by email: [sales@artisan-scientific.com](mailto:sales@artisan-scientific.com) | Visit our website: <http://www.artisan-scientific.com>

# CPCI-AD32

**Intelligent DSP Based  
32 Channel Analog Input Card  
for 3U *CompactPCI*™ systems**

## **REFERENCE MANUAL**

751-10-000-4000

Version 1.0

September 1998

## **ALPHI TECHNOLOGY CORPORATION**

**6202 S. Maple Avenue #120**

**Tempe, AZ 85283 USA**

**Tel: (480) 838-2428**

**Fax: (480) 838-4477**

## ***CPCI-AD32 REFERENCE MANUAL***

### **NOTICE**

The information in this document has been carefully checked and is believed to be entirely reliable. While all reasonable efforts to ensure accuracy have been taken in the preparation of this manual, ALPHI TECHNOLOGY assumes no responsibility resulting from omissions or errors in this manual, or from the use of information contain herein.

ALPHI TECHNOLOGY reserves the right to make any changes, without notice, to this or any of ALPHI TECHNOLOGY's products to improve reliability, performance, function or design.

ALPHI TECHNOLOGY does not assume any liability arising out of the application or use of any product or circuit described herein; nor does ALPHI TECHNOLOGY convey any license under its patent rights or the rights of others.

**ALPHI TECHNOLOGY CORPORATION**

**All Rights Reserved**

This document shall not be duplicated, nor its contents used for any purpose, unless express permission has been granted in advance.

## CPCI-AD32 REFERENCE MANUAL

### TABLE OF CONTENTS

<b>1. GENERAL DESCRIPTION</b>	<b>1</b>
1.1 INTRODUCTION	1
1.2 FUNCTIONAL DESCRIPTION	1
1.3 REFERENCE MATERIALS LIST	3
<b>2. HOST (CPCI) SIDE</b>	<b>4</b>
2.1 PCI CONFIGURATION REGISTERS	4
2.2 PCI BASE ADDRESS REGISTERS	4
2.3 CPCI OPERATION REGISTERS	4
<b>3. C31 SIDE</b>	<b>5</b>
3.1 INTERNAL ORGANIZATION	5
3.2 CPCI INTERFACE	5
3.3 DSP MEMORY AND REGISTER MAP SUMMARY	7
3.4 RESET SIGNALS	11
3.5 LOCAL DSP INTERRUPT SOURCES	11
<b>4. JUMPER DESCRIPTIONS</b>	<b>11</b>
<b>5. CONNECTIONS</b>	<b>12</b>
5.1 EXTERNAL I/O CONNECTOR (P3)	12
5.2 DAC OUTPUTS (P1, P2)	14
5.3 EMULATOR CONNECTION (P6)	14
5.4 FACTORY USE (P7)	14
5.5 RESERVED (P4, P5)	14
5.6 32 BIT CPCI BUS (J1)	14
<b>6. STANDALONE OPERATION</b>	<b>14</b>
6.1 CPCI RESET	14
6.2 CPCI BUS CLOCK	14

# CPCI-AD32 REFERENCE MANUAL

## 1. GENERAL DESCRIPTION

### 1.1 INTRODUCTION

The **CPCI-AD32** is an intelligent DSP based 32 channel analog input card in a 3U CPCI form factor. The **CPCI-AD32** provides up to 32 single ended or 16 differential inputs to a 16 bit converter. The DSP allows for the offloading from the HOST CPU any necessary I/O processing to monitor and service these channels. The primary features of the **CPCI-AD32** are as follows:

- Integrated DSP (TI TMS320C31) at 60 MHz to offload I/O operation from host or for standalone applications
- 128K x 32 bit zero wait state SRAM for the DSP.
- 512K by 8 bit FLASH device for customer applications
- Up to 32 single ended or 16 differential analog inputs to a pair of 16 bit converters.
- Programmable PGA allow for gains of 1, 2, 4, or 8 on a per channel basis.
- Programmable capture rates from 2 channels @ 100 KHz, to 32 channels @ 6250 Hz.
- Full support for automatic calibration of the inputs.
- 2 channels of 16 bit analog output @20 KHz.
- Up to 16 bits of general purpose digital input or output.
- Bus Master DMA to offload HOST processor.

### 1.2 FUNCTIONAL DESCRIPTION

A functional block diagram of the **CPCI-AD32** is presented below in Figure 1-1. The jumper placement and the connector placement is depicted in Figure 1-2. The **CPCI-AD32** can operate as a slave that is managed by the host processor on the CPCI bus or it can operate in a standalone mode of operation without a host.

The **CPCI-AD32** is supported by ALPHI Technology under *Windows NT* by a **Board Support Package** which is supplied with the card. Other documentation supplied with the card will describe this support in full detail.

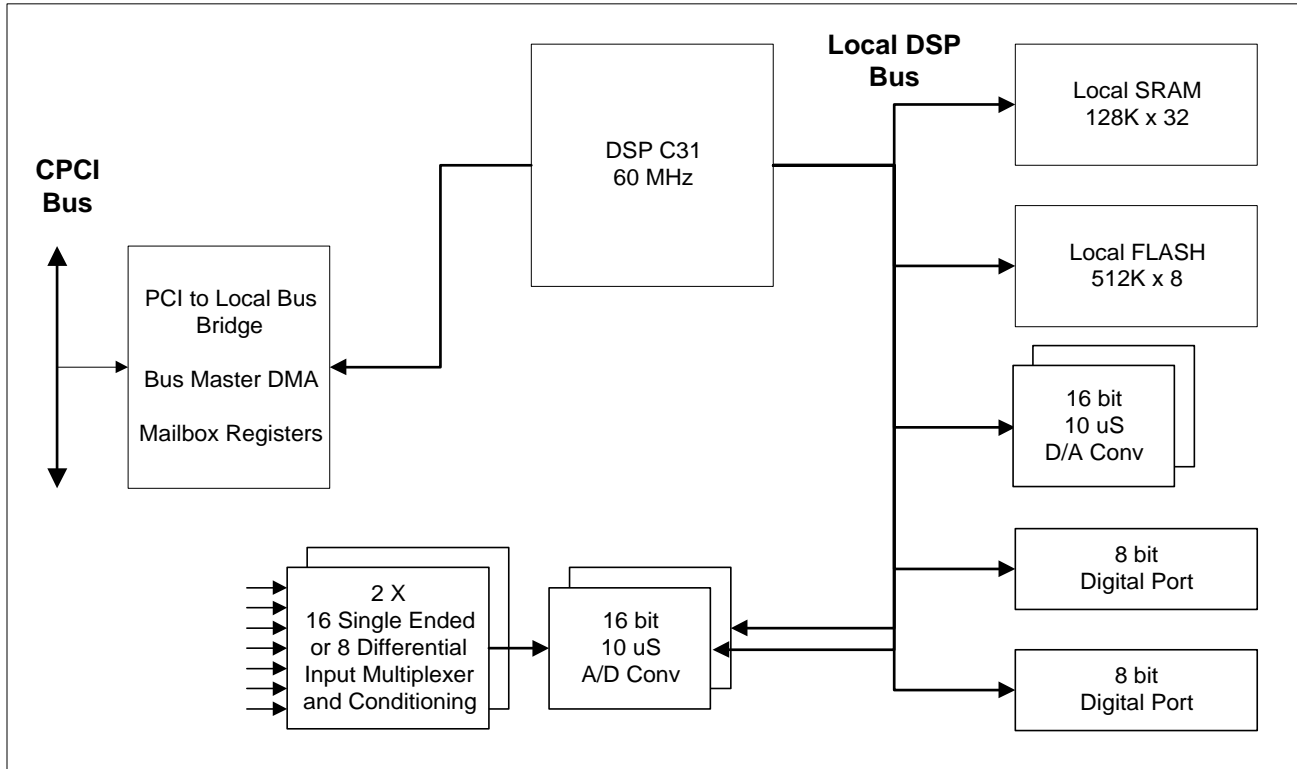
The card is also supported by a **DSP Support Library** providing the following features:

- Common access routines for communications with the HOST
- Identify the applicable card resources and parameters

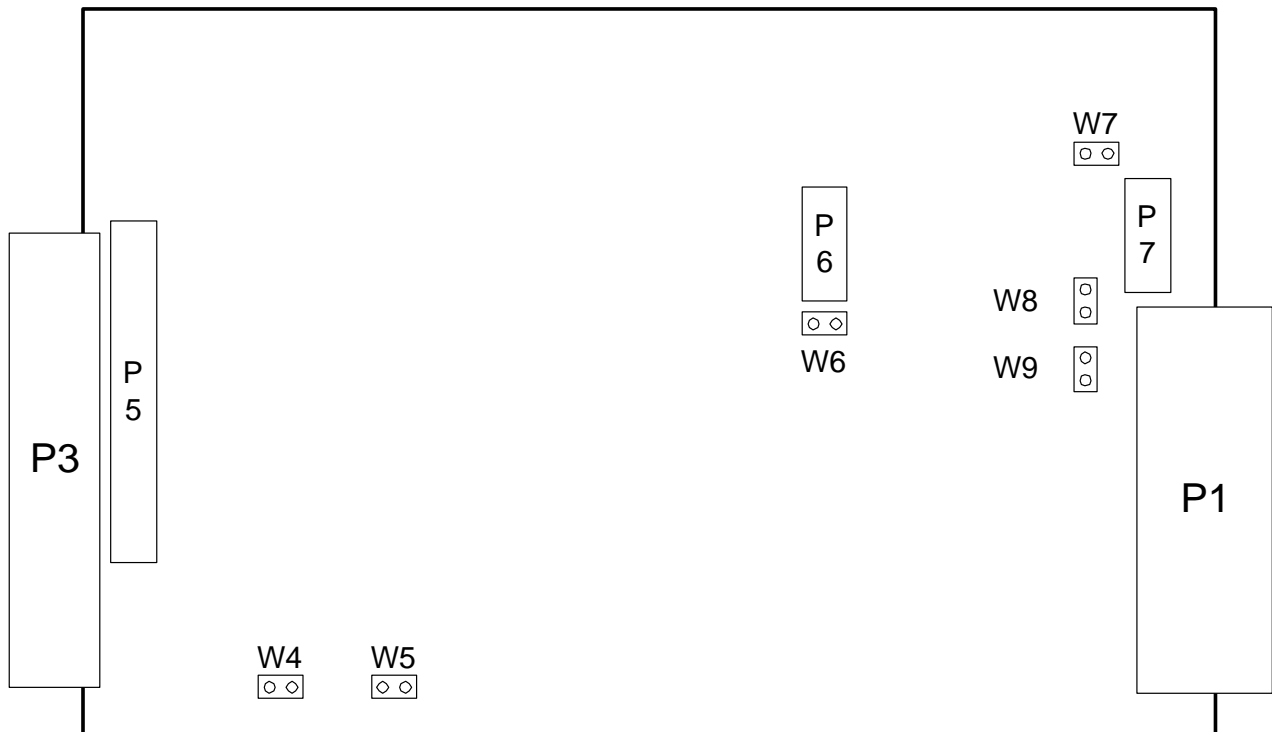
All these are provided in a manner consistent across ALPHI Technology platforms. Other documentation supplied with the card will describe the support in full detail.

A bootloader provided on the card allows for control by the HOST and for independent operation in stand alone operation. User code can be downloaded to FLASH memory and booted automatically on reset. Access to the card can be made by the HOST CPCI bus.

# CPCI-AD32 REFERENCE MANUAL



**Figure 1.1: Block Diagram**



**Figure 1.2: Jumper and Connector Locations**

## **CPCI-AD32 REFERENCE MANUAL**

### **1.3 REFERENCE MATERIALS LIST**

The reader should refer to the PCI Local Bus Specification for a detailed explanation of the PCI bus architecture and timing requirements. This specification is available from the following source:

**PCI Special Interest Group**  
**PO Box 14070**  
**Portland, OR 97214**  
**Tel: (800) 433-5177**  
**Tel: (503) 797-4207**  
**Fax: (503) 234-6762**

The reader is also referred to the S5933 PCI Controller data book:

**AMCC Applied Micro Circuits Corporation**  
**6195 Lusk Boulevard**  
**San Diego, CA 92121-2793**  
**Tel: (800) 755-2622**  
**<http://www.amcc.com>**

WindowsNT and Windows95 Programming Tools:

**BlueWater Systems**  
**144 Railroad Ave. Suite #217**  
**Edmonds, WA 98020**  
**Tel: (206) 771-3610**  
**Fax: (206) 771-2742**  
**E-Mail: [info@bluewatersystems.com](mailto:info@bluewatersystems.com)**  
**Web: <http://www.bluewatersystems.com>**

## 2. HOST (CPCI) SIDE

### 2.1 PCI CONFIGURATION REGISTERS

The card presents the following configuration values to the CPCI system, based on the values stored in the NVRAM device read by the AMCC PCI interface chip.

Register	Value (Meaning)
Vendor ID	0x13c5 (ALPHI Technology)
Device ID	0x010C
Revision ID	0x00
Class Code	0xff0000 (Device does not fit into defined class codes)
Interrupt Line	0xff
Interrupt Pin	A
Multifunction Device	No
Build In Self Test	No
Latency Timer	0x00
Minimum Grant	0x00
Maximum Latency	0x00
Expansion ROM Size	None

**Table 2.1: CPCI Configuration Registers**

### 2.2 PCI BASE ADDRESS REGISTERS

The card requests base address regions from the CPCI system after RESET, based on the values stored in the NVRAM device read by the AMCC PCI interface chip.

The decode addresses of these regions are assigned by the host processor. The **CPCI-AD32** uses 1 of the 5 AMCC mapped base address registers. The AMCC is normally programmed at the factory to request the following resource from the CPCI BIOS:

BAR	From	To	Description	Type
0	0x00000000	0x00000003F	AMCC PCI Operation Registers	MEM

**Table 2.2: Base Address and Use**

**NOTE: The AMCC has been programmed to request memory above 1 Mbytes.**

### 2.3 CPCI OPERATION REGISTERS

The host processor communicates with the **CPCI-AD32** card via the AMCC pass-through interface. After the base address register has been programmed by the CPCI configurator, incoming CPCI I/O or Memory cycles are used to access the registers of the AMCC chip. The PCI Operation Registers of the AMCC 5933 chip are depicted below:



## CPCI-AD32 REFERENCE MANUAL

Offset	Register Name
0x00	OMB1 Outgoing Mailbox Register 1
0x04	OMB2 Outgoing Mailbox Register 2
0x08	OMB3 Outgoing Mailbox Register 3
0x0C	OMB4 Outgoing Mailbox Register 4
0x10	IMB1 Incoming Mailbox Register 1
0x14	IMB2 Incoming Mailbox Register 2
0x18	IMB3 Incoming Mailbox Register 3
0x1C	IMB4 Incoming Mailbox Register 4
0x20	FIFO Register Port (bi-directional)
0x24	MWAR Master Write Address Register
0x28	MWTC Master Write Transfer Counter
0x2C	MRAR Master Read Address Register
0x30	MRTC Master Read Transfer Counter
0x34	MBEF Mailbox Empty/Full Status
0x38	INTCSR Interrupt Control/Status Register
0x3C	MCSR Bus Master Control/Status Register

**Table 2.3: AMCC Registers (HOST)**

For more information about these registers refer to the AMCC PCI controller manual.

### 3. C31 SIDE

#### 3.1 INTERNAL ORGANIZATION

The **CPCI-AD32** card is divided into different sections. Each section and its relationship to other sections will be discussed. The **CPCI-AD32** sections are:

- CPCI interface
- DSP Memory and Register Map
- Analog input interface
- Analog output interface
- Digital interface

#### 3.2 CPCI INTERFACE

The local DSP processor communicates with the CPCI bus through the AMCCS9533 chip that provides bi-directional FIFO and Mailbox registers. The **CPCI-AD32** can function as both a servant (CPCI target) or as a master (CPCI initiator) for DMA access. The following interface descriptions refer to the CPCI interface as seen by the local DSP. The AMCC registers are located at DSP address 0xf00080.

##### 3.2.1 BI-DIRECTIONAL FIFO

Two separate FIFO data paths are implemented within the AMCCS9533, a read FIFO that allows data transfers from the module to the CPCI bus and a write FIFO that transfers data from the CPCI to the module. Size of the FIFO is 32 bit X 8. Read and write DMA access to

## CPCI-AD32 REFERENCE MANUAL

the host can occur via the FIFO registers if it is supported by the software on the HOST and is enabled. Alternatively, the FIFO registers can utilize a polled scheme on the HOST and DSP. Both FIFOs are accessed via access to the same location as seen by the DSP, offset 0x08.

### 3.2.2 MAILBOX REGISTERS

The Mailbox registers of the AMCCS9533 provide a bi-directional data path that can be used to send data or software control information between the HOST and DSP of that half of the **CPCI-AD32** module. Interrupts can be enabled based on a specific mailbox event. There are 4 incoming mailboxes and 4 outgoing mailboxes. Each mailbox is 32 bits wide. The address offsets for the mailboxes are shown below in Table 3-1.

### 3.2.3 ADDITIONAL REGISTERS

The AMCC S5933 PCI controller has a set of additional registers to control and monitor the behavior of the CPCI interface.

The address offsets of these registers are shown below in Table 3-1.

Offset	Register Name
0x00	Incoming Mailbox Reg 1
0x01	Incoming Mailbox Reg 2
0x02	Incoming Mailbox Reg 3
0x03	Incoming Mailbox Reg 4
0x04	Outgoing Mailbox Reg 1
0x05	Outgoing Mailbox Reg 2
0x06	Outgoing Mailbox Reg 3
0x07	Outgoing Mailbox Reg 4
0x08	Add-on FIFO port
0x09	Bus master write Address Register
0x0A	Add-on Pass through Address
0x0B	Add-on Pass through Data
0x0C	Bus master read Address Register
0x0D	Add-on Mailbox Empty/full Status
0x0E	Add-on Interrupt Control
0x0F	Add-on General Control/Status Register

**Table 3.1: AMCC Registers (DSP)**

For more information about these registers refer to the AMCC PCI controller manual.

**3.3 DSP MEMORY AND REGISTER MAP SUMMARY**

NAME	START	END	DATA	R/W	COMMENTS
SRAM	0x000000	0x01FFFF	D00-D31	R/W	Zero wait state static RAM
FLASH	0x400000	0x41FFFF	D00-D07	R/W	128K x 8 Protected
A/D RESULT	0xF00000	0xF00000	D00-D31	R	Both conversion results
CONTROL1	0xF00008	0xF00008	D00-D03	W	Controls internal settings
CONTROL2	0xF00010	0xF00010	D00-D07	W	Controls internal settings
CONTROL3	0xF00018	0xF00018	D00-D00	W	Controls internal settings
STROBE	0xF00020	0xF00020	N/A	WS	Start conversion
D/A OUTPUT	0xF00028	0xF00028	D00-D31	W	DAC Output register
DIGITAL PORTS	0xF00030	0xF00030	D00-D15	R/W	Bidirectional digital ports
LAST CHAN	0xF00040	0xF00040	D00-D03	W	Ending channel register
MODE/GAIN	0xF00060	0xF0006F	D00-D07	R/W	Mode and gain per channel
AMCC	0xF00080	0xF000FF	D00-D31	R/W	AMCC Registers

**Table 3.2: DSP Memory Map**

**3.3.1 A/D RESULT (Read Only)**

BITS 31 - 16	BITS 15 - 00
Channel 17 – 32 Result	Channel 1 – 16 Result

This 32 bit register contains the conversion results from the two A/D converters. This result must be read during the INT2 interrupt handler, or it will be overwritten with the next conversion result. There is no status bit to indicate completion of a conversion.

**3.3.2 CONTROL1 (Write Only)**

BIT 03	BIT 02	BIT 01	BIT 00
CAL_MODE	EX_SCAN_EN	TCLK0_EN	EX_GATE_EN

**EX\_GATE\_EN**                      **External gate enable**

If this bit is set to 1, then **EXGATE** must be low for A/D conversions. If this bit is cleared to 0, then **EXGATE** has no effect.

**TCLK0\_EN, EX\_SCAN\_EN**      **A/D**

These bits determine what will trigger an A/D conversion.

EX_SCAN_EN	TCLK0_EN	DOUT Selection
0	0	Writes to <b>STROBE</b> will trigger conversion.
0	1	<b>TCLK0</b> from DSP will trigger conversion.
1	0	<b>EXTRIG</b> will trigger conversion.
1	1	Both <b>TCLK0</b> and <b>EXTRIG</b> will trigger conversion.

**Table 3.4: Signal routing to STRB\_OUT**

## CPCI-AD32 REFERENCE MANUAL

### CAL\_MODE

### CALIBRATE MODE

If this bit is set to 1, then the input multiplexers are switched to one of the calibration sources. These include ground, a +5V reference, and each of the two analog outputs.

If this bit is cleared, then the input multiplexers are connected to the analog inputs.

See the section describing the **MODE / GAIN** registers for more details.

### 3.3.3 CONTROL2 (Write Only)

BIT 07	BIT 06	BIT 05	BIT 04	BIT 03	BIT 02	BIT 01	BIT 00
D/A GND	N/A	ONE_CH	OUT2_RNG	OUT1_RNG	B_DIR	A_DIR	N/A

**PIA\_EN**                      **Enable PIA buffers**

If this bit is set to 1, then the isolation buffers for the PIA ports A and B are enabled. If this bit is cleared to 0, then the PIA is effectively isolated from the external digital signals.

**A\_DIR**                      **PIA Port A as input or output**

When this bit is set to 1, then port A will drive external circuitry. If this bit is cleared to 0, then port A will function as an input.

**B\_DIR**                      **PIA Port B as input or output**

When this bit is set to 1, then port B will drive external circuitry. If this bit is cleared to 0, then port B will function as an input.

**OUT1\_RNG**                **Output Range for D/A 1**

If this bit is set to 1, the output range for D/A 1 is set to +/- 10 volts. If this bit is cleared, the output range for D/A 1 is set to 0 – 10 volts.

**OUT2\_RNG**                **Output Range for D/A 2**

If this bit is set to 1, the output range for D/A 2 is set to +/- 10 volts. If this bit is cleared, the output range for D/A 2 is set to 0 – 10 volts.

**ONE\_CH**                    **Single Channel Acquisition mode**

When this bit is set to 1, then the input multiplexers are forced to the channel specified in the **LAST CHAN** register. Only a single conversion will be triggered for each trigger signal. If this bit is cleared to 0, then the state machine functions normally, scanning channels from 1 to the channel specified in the **LAST CHAN** register. Channels are acquired one at a time with 10 uS of separation between them.

**D/A GND**                    **Disconnect the DAC outputs from the DACs and ground them**

When this bit is cleared to a 0, the output jacks and the signals fed back to the A/D converters for calibration are grounded. When this bit is set to a 1, the DAC outputs function normally.

**3.3.4 CONTROL3 (Write Only)**

<b>BIT 00</b>
EXT_INT_EN

**EXT\_INT\_EN**                      *Enable external interrupt generation on INT3*

When this bit is set to 1, then a rising edge on EX\_DA will trigger a DSP interrupt. If this bit is cleared to 0, then no interrupt is generated.

**3.3.5 STROBE (Write Strobe)**

If enabled by the bits in **CONTROL1**, a DSP write to this location will start a conversion cycle.

**3.3.6 D/A OUTPUT (Write Only)**

<b>BITS 31 - 16</b>	<b>BITS 15 - 00</b>
Channel 2 Output	Channel 1 Output

A write to this 32 bit register will update both DAC outputs. The update will occur immediately and is not synced to any clocks.

**3.3.7 DIGITAL PORT**

<b>BITS 15 - 08</b>	<b>BITS 07 - 00</b>
Digital Port B	Digital Port A

A write to this register will update both DIGITAL outputs (if programmed for output See **CONTROL 2** register). A read from this register will report the current output state or the input state.

**3.3.8 LAST CHAN (Write only)**

<b>BITS 03 - 00</b>
Last Channel Scanned

This register is intended to serve two purposes.

In state machine mode, this register sets the last valid channel for A/D acquisition.

In single channel mode, this register allows the selection of a single pair of channels to acquire at high speed.

**3.3.9 MODE/GAIN (Read / Write)**

These 16 registers allow for gain selection and differential / single ended mode selection on a per channel basis.

<b>BIT 07</b>	<b>BIT 06</b>	<b>BIT 05</b>	<b>BIT 04</b>	<b>BIT 03</b>	<b>BIT 02</b>	<b>BIT 01</b>	<b>BIT 00</b>
CAL1	DIFF2	G2_01	G2_00	CAL0	DIFF1	G1_01	G1_00

**CAL1, CAL0**                      *Calibration source*

When calibrate mode is selected, these bits switch the calibration MUX to one of the four calibration sources.

## CPCI-AD32 REFERENCE MANUAL

CAL1	CAL0	Source
0	0	GND
0	1	VREF (+5 V)
1	0	DAC1 Output
1	1	DAC2 Output

**Table 3.X: Calibration Sources**

### **DIFF2, DIFF1**

### **Differential mode selection**

When normal input mode is selected, these bits select whether the channel is in differential mode or single ended. If the bit is set to 1, then the channel is in differential mode. Note that a channel may be scanned twice in differential mode if the conditions are right. See the following table for details. Note that the last channel register will terminate the table at that channel.

Channel	DIFF2 = 0	DIFF2 = 1	DIFF1 = 0	DIFF1 = 1
1	CH 17 SE	CH 09 DE	CH 01 SE	CH 01 DE
2	CH 18 SE	CH 10 DE	CH 02 SE	CH 02 DE
3	CH 19 SE	CH 11 DE	CH 03 SE	CH 03 DE
4	CH 20 SE	CH 12 DE	CH 04 SE	CH 04 DE
5	CH 21 SE	CH 13 DE	CH 05 SE	CH 05 DE
6	CH 22 SE	CH 14 DE	CH 06 SE	CH 06 DE
7	CH 23 SE	CH 15 DE	CH 07 SE	CH 07 DE
8	CH 24 SE	CH 16 DE	CH 08 SE	CH 08 DE
9	CH 25 SE	CH 09 DE	CH 09 SE	CH 01 DE
10	CH 26 SE	CH 10 DE	CH 10 SE	CH 02 DE
11	CH 27 SE	CH 11 DE	CH 11 SE	CH 03 DE
12	CH 28 SE	CH 12 DE	CH 12 SE	CH 04 DE
13	CH 29 SE	CH 13 DE	CH 13 SE	CH 05 DE
14	CH 30 SE	CH 14 DE	CH 14 SE	CH 06 DE
15	CH 31 SE	CH 15 DE	CH 15 SE	CH 07 DE
16	CH 32 SE	CH 16 DE	CH 16 SE	CH 08 DE

**Table 3.x: Input channel selections.**

### **G2\_01, G2\_00, G1\_01, G1\_00 Gain Selection**

Input gains are selected on a per channel basis according to the following table.

Gx_01	Gx_00	Gain Selected
0	0	1
0	1	2
1	0	4
1	1	8

**Table 3.X: Gain Selection**

## CPCI-AD32 REFERENCE MANUAL

### 3.4 RESET SIGNALS

The **CPCI-AD32** can be reset from two different sources:

- At power on or when the PCI RESET is asserted, the watchdog timer will hold the C31 RESET line low for 200 mS.
- The AMCC has a bit called SYSRST which the HOST can toggle to reset the DSP and internal logic. Software should hold the RESET asserted for 200 mS to ensure a proper reset.

### 3.5 LOCAL DSP INTERRUPT SOURCES

The local DSP has four interrupt lines. The source of each interrupt is listed in the table below. Additionally, at reset, the INT1 line is pulsed to tell the C31 to find the FLASH image at 0x400000 (if boot mode is MC).

SOURCE	ENABLE SIGNAL	INTERRUPT LEVEL
External Gate	None	INT0
AMCC	Inside 5933	INT1
AMCC FIFO: WR not Full RD not Empty	None	INT1
A/D Data Ready	None	INT2
Ext Interrupt	<b>CONTROL</b> register	INT3

**Table 3.5: Interrupt Sources**

## 4. JUMPER DESCRIPTIONS

JUMPER	FACTORY SETTING	DESCRIPTION
W2	None	Factory use.
W3	None	Factory use.
W4	None	Factory use.
W5	None	Factory use.
W6	None	DSP Boot Mode: MC/~MP. The DSP's boot mechanism is designed to operate in MC mode, booting from the FLASH.
W7	None	When shorted, provides DSP and board reset.
W8	None	If installed, forces PCI reset high for stand alone operation. Hosted operation is default.
W9	None	If installed, connects 30 MHz clock to PCI clock for stand alone operation and access to AMCC. Hosted operation is default.

**Table 4.1 Jumper Descriptions**

**5. CONNECTIONS**

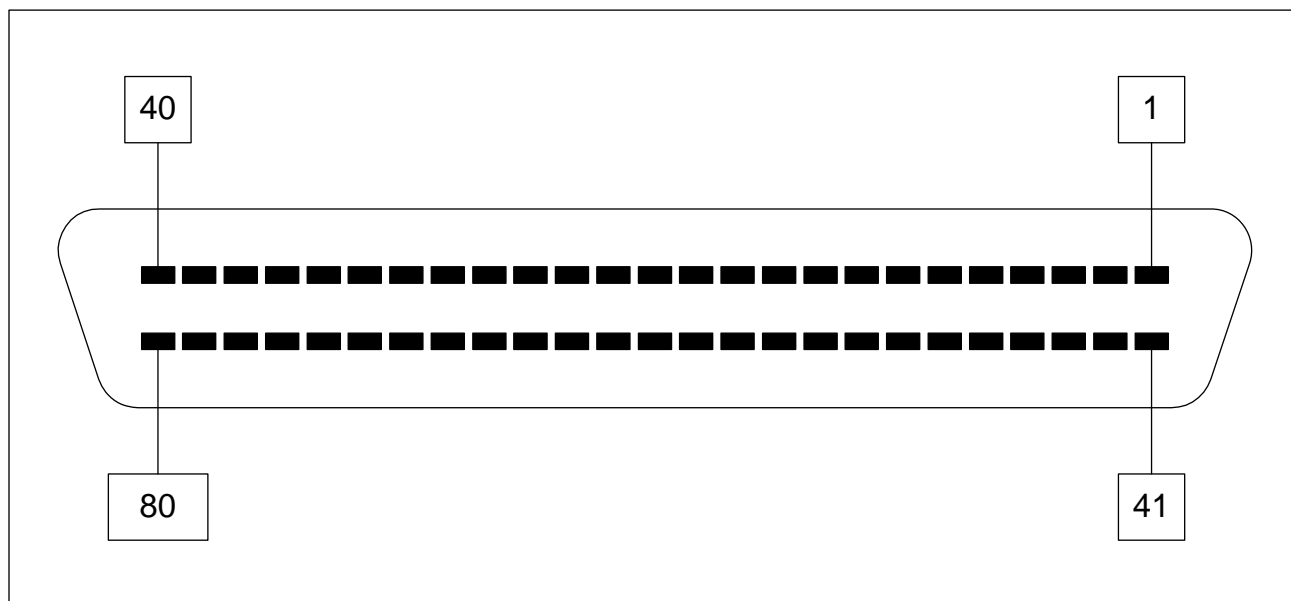
**5.1 EXTERNAL I/O CONNECTOR (P3)**

A 80 pin subminiature D shelled connector is used to route all the analog and digital signals off the card. ALPHI Technology can supply transition modules and cable assemblies to meet any special requirements. Contact the factory for additional information.

Connectors are manufactured by AMP.

Use	Model
On PC Board	787190-8
Suggested Plug	749111-7

**Table 5.1: I/O Connector Model Numbers**



**Figure 5.1: External I/O Connector**



## CPCI-AD32 REFERENCE MANUAL

Pin	Connection	Pin	Connection
1	A_GND	41	A_GND
2	IN24/IN16+	42	IN32/IN16-
3	A_GND	43	A_GND
4	IN23/IN15+	44	IN31/IN15-
5	IN22/IN14+	45	IN30/IN14-
6	A_GND	46	A_GND
7	IN21/IN13+	47	IN29/IN13-
8	IN20/IN12+	48	IN28/IN12-
9	A_GND	49	A_GND
10	IN19/IN11+	50	IN27/IN11-
11	IN18/IN10+	51	IN26/IN10-
12	A_GND	52	A_GND
13	IN17/IN09+	53	IN25/IN09-
14	IN08/IN08+	54	IN16/IN08-
15	A_GND	55	A_GND
16	IN07/IN07+	56	IN15/IN07-
17	IN06/IN06+	57	IN14/IN06-
18	A_GND	58	A_GND
19	IN05/IN05+	59	IN13/IN05-
20	IN04/IN04+	60	IN12/IN04-
21	A_GND	61	A_GND
22	IN03/IN03+	62	IN11/IN03-
23	IN02/IN02+	63	IN10/IN02-
24	A_GND	64	A_GND
25	IN01/IN01+	65	IN09/IN01-
26	A_GND	66	A_GND
27	DA SAMPLE CLK OUT	67	EXT INT
28		68	
29		69	
30	D_GND	70	AD SAMPLE CLK OUT
31	AD SAMPLE GATE	71	AD SAMPLE CLK IN
32	D_GND	72	D_GND
33	PA_07	73	PB_07
34	PA_06	74	PB_06
35	PA_05	75	PB_05
36	PA_04	76	PB_04
37	PA_03	77	PB_03
38	PA_02	78	PB_02
39	PA_01	79	PB_01
40	PA_00	80	PB_00

**Table 5.2: External I/O Connector**

## **CPCI-AD32 REFERENCE MANUAL**

### **5.2 DAC OUTPUTS (P1, P2)**

Two SMB connectors route the outputs of the DAC channels off the board.

### **5.3 EMULATOR CONNECTION (P6)**

This connector is used to connect the emulator to the C31 DSP.

### **5.4 FACTORY USE (P7)**

This connector is used at the factory for programming the FPGA.

### **5.5 RESERVED (P4, P5)**

These connectors allow for a possible optional sample and hold board or filter board.

### **5.6 32 BIT CPCI BUS (J1)**

This connector plugs into the backplane and provides the standard CPCI signals for all CPCI systems.

## **6. STANDALONE OPERATION**

When the board is operated without a CPCI HOST, two signals must be driven in order to assure correct operation. These signals are provided by placing the correct jumpers on the board when in stand alone operation. If the board is returned to a PCI hosted environment, these jumpers must be removed, or they will interfere with the correct operation of the PCI host.

When the board is operated in stand alone mode, the board can be operated under an emulator. Changing the downloaded code in the FLASH will require returning to a hosted environment.

### **6.1 CPCI RESET**

This signal must be pulled high by inserting a jumper in location W8 for stand alone operation. In a hosted environment, it must be removed.

### **6.2 CPCI BUS CLOCK**

The AMCC requires that a CPCI BUS clock be present for its internal operation. This signal must be driven by the internal clock oscillator when operated in stand alone operation. This is accomplished by inserting a jumper in location W9 for stand alone operation. In a hosted environment, it must be removed.



# Artisan Scientific

QUALITY INSTRUMENTATION ... GUARANTEED

## Looking for more information?

Visit us on the web at <http://www.artisan-scientific.com> for more information:

- Price Quotations
- Drivers
- Technical Specifications, Manuals and Documentation

## Artisan Scientific is Your Source for Quality New and Certified-Used/Pre-owned Equipment

- Tens of Thousands of In-Stock Items
- Hundreds of Manufacturers Supported
- Fast Shipping and Delivery
- Leasing / Monthly Rentals
- Equipment Demos
- Consignment

### Service Center Repairs

Experienced Engineers and Technicians on staff in our State-of-the-art Full-Service In-House Service Center Facility

### InstraView™ Remote Inspection

Remotely inspect equipment before purchasing with our Innovative InstraView™ website at <http://www.instraview.com>

### We buy used equipment! We also offer credit for Buy-Backs and Trade-Ins

Sell your excess, underutilized, and idle used equipment. Contact one of our Customer Service Representatives today!

Talk to a live person: 888-88-SOURCE (888-887-6872) | Contact us by email: [sales@artisan-scientific.com](mailto:sales@artisan-scientific.com) | Visit our website: <http://www.artisan-scientific.com>