



Artisan Technology Group is your source for quality new and certified-used/pre-owned equipment

- FAST SHIPPING AND DELIVERY
- TENS OF THOUSANDS OF IN-STOCK ITEMS
- EQUIPMENT DEMOS
- HUNDREDS OF MANUFACTURERS SUPPORTED
- LEASING/MONTHLY RENTALS
- ITAR CERTIFIED SECURE ASSET SOLUTIONS

SERVICE CENTER REPAIRS

Experienced engineers and technicians on staff at our full-service, in-house repair center

*InstraView*SM REMOTE INSPECTION

Remotely inspect equipment before purchasing with our interactive website at www.instraview.com ↗

WE BUY USED EQUIPMENT

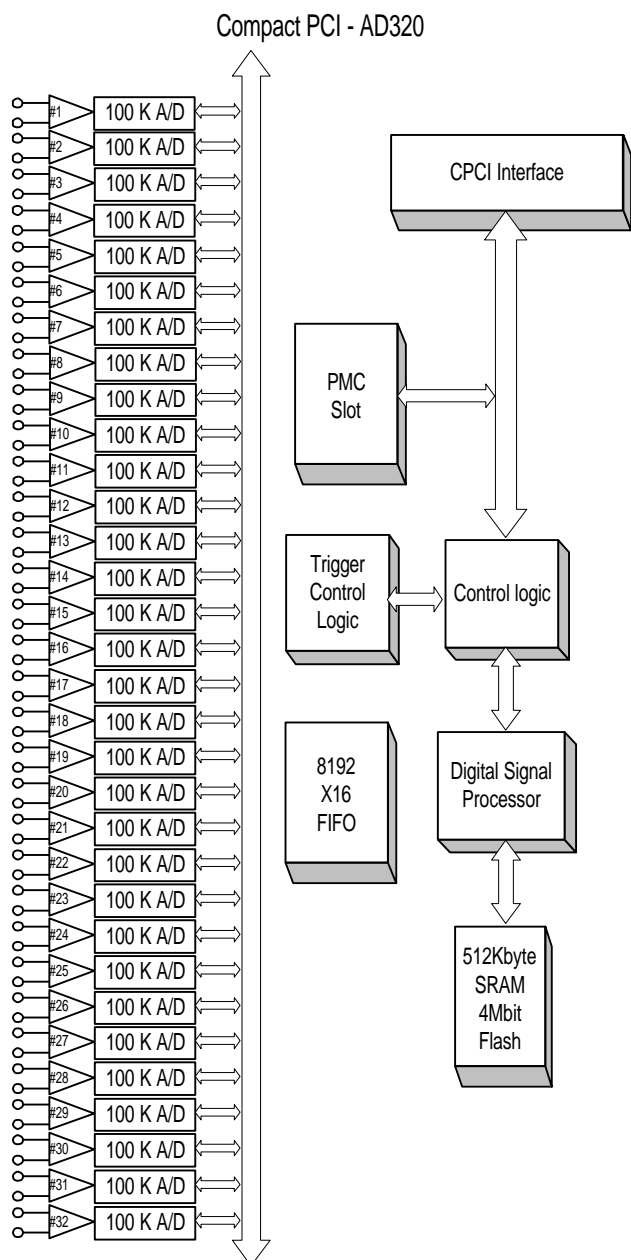
Sell your excess, underutilized, and idle used equipment. We also offer credit for buy-backs and trade-ins. www.artisanng.com/WeBuyEquipment ↗

LOOKING FOR MORE INFORMATION?

Visit us on the web at www.artisanng.com ↗ for more information on price quotations, drivers, technical specifications, manuals, and documentation

Contact us: (888) 88-SOURCE | sales@artisanng.com | www.artisanng.com

CompactPCI™ High Performance Data Acquisition 32 ch. 100/200 KSPS 16 bit A/D, w/ DSP + PMC



FEATURE SUMMARY

- 32 16 bit channels, 100 or opt. 200 KSPS ADC's
- Lower cost 16 channel version
- +/- 10 volt analog differential inputs
- 60Mhz TMS320C32 DSP processor
- 512K byte of zero wait state SRAM
- Simultaneous Sampling, Differential input
- External or Internal, Gates
- PMC expansion slot
- Local processor supervises acquisition
- Application firmware can be downloaded over the bus
- Instrumentation amplifier per channel
- Programmable gain 1, 2, 4, 8 standard
- External power supply input option

OVERVIEW

The CPCI-AD320 module provides a 6U high performance data acquisition subsystem. There are 32 thirty-two 100/200 KSPS ADC's for maximum performance. Or an opt low cost 16 channel version. The Local DSP can be used to simply move data samples to the CPCI bus or can provide processing functions such as limit checking, FFT's, digital filtering, etc. Software can be downloaded to the DSP via the CPCI interface. Instrumentation amplifiers provide over-voltage protection and gain on a per channel basis. The CPCI-AD8320-6U can also accept external scan and trigger signals from a front panel connector.

ORDERING INFORMATION

p/n:	CPCI-AD320	Intelligent 16 bit data acquisition
	opt.-200	Fast 200 KSPS
	opt.-16	16 channel version
	TB-80	50 pin terminal block w/ cable
	CBL-SCSI-80	50 pin scsi to scsi cable only

© Copyright 2000 by ALPHI TECHNOLOGY
6202 South Maple Ave., Suite 120 Tempe, Arizona 85283
PHONE (480) 838-2428 FAX (480) 838-4477 www.alphitech.com





Artisan Technology Group is your source for quality new and certified-used/pre-owned equipment

- FAST SHIPPING AND DELIVERY
- TENS OF THOUSANDS OF IN-STOCK ITEMS
- EQUIPMENT DEMOS
- HUNDREDS OF MANUFACTURERS SUPPORTED
- LEASING/MONTHLY RENTALS
- ITAR CERTIFIED SECURE ASSET SOLUTIONS

SERVICE CENTER REPAIRS

Experienced engineers and technicians on staff at our full-service, in-house repair center

*InstraView*SM REMOTE INSPECTION

Remotely inspect equipment before purchasing with our interactive website at www.instraview.com ↗

WE BUY USED EQUIPMENT

Sell your excess, underutilized, and idle used equipment. We also offer credit for buy-backs and trade-ins. www.artisanng.com/WeBuyEquipment ↗

LOOKING FOR MORE INFORMATION?

Visit us on the web at www.artisanng.com ↗ for more information on price quotations, drivers, technical specifications, manuals, and documentation

Contact us: (888) 88-SOURCE | sales@artisanng.com | www.artisanng.com