



Artisan Technology Group is your source for quality new and certified-used/pre-owned equipment

- FAST SHIPPING AND DELIVERY
- TENS OF THOUSANDS OF IN-STOCK ITEMS
- EQUIPMENT DEMOS
- HUNDREDS OF MANUFACTURERS SUPPORTED
- LEASING/MONTHLY RENTALS
- ITAR CERTIFIED SECURE ASSET SOLUTIONS

SERVICE CENTER REPAIRS

Experienced engineers and technicians on staff at our full-service, in-house repair center

*InstraView*SM REMOTE INSPECTION

Remotely inspect equipment before purchasing with our interactive website at www.instraview.com ↗

WE BUY USED EQUIPMENT

Sell your excess, underutilized, and idle used equipment. We also offer credit for buy-backs and trade-ins. www.artisanng.com/WeBuyEquipment ↗

LOOKING FOR MORE INFORMATION?

Visit us on the web at www.artisanng.com ↗ for more information on price quotations, drivers, technical specifications, manuals, and documentation

Contact us: (888) 88-SOURCE | sales@artisanng.com | www.artisanng.com

DM-2200 Series Intelligent Drive Series

API Controls' DM-224i and 2205i microstepping motor drives combined with our step motors offer a totally new concept for solving your motion control tasks using step motors.

Although the traditional solution is a viable option in many applications, API's new Distributed Drive Technology is the best choice in applications that do not require highly coordinated motions. API Controls' Intelligent Step Drives accept direct digital commands over a network and can significantly reduce your motion system cost.



Turbo Stepper® Brushless Motor Systems

Stepper Drive		Turbo Stepper Motor		Holding Torque	Pullout Torque	Motor Inertia	Motor Weight		
Model No.	Power VDC	Model No.	Motor Winding	oz-in (Nm)	oz-in (Nm)	oz-in-sec ² x 10 ⁻⁴	(kg-cm ²)	lb (kg)	
DM-2202i	48	MSD-521-3014	Series	29 (205)	14.2 (100)	1.69	(12)	0.55 (.250)	
	48	MSD-521-3014	Parallel	29 (205)	19.1 (135)	1.69	(12)	0.55 (.250)	
	48	MSD-521-3016	Parallel	29 (205)	13.5 (95)	1.69	(12)	0.55 (.250)	
DM-224i	48	MST-N170-ANNL	Parallel	24 (.17)	15 (.11)	.0005	(.035)	.46 (.21)	
DM-2205i	48	MST-N171-ANNL	Parallel	44 (.31)	28 (.20)	.0006	(.044)	.60 (.27)	
CMD-260	48	MST-N170-AENL	Parallel	44 (.31)	28 (.20)	.0006	(.044)	.60 (.27)	
	48	MST-N230-CNNL	Parallel	85 (.60)	54 (.38)	.0023	(.16)	1.1 (.5)	
	48	MST-N231-CNNL	Parallel	150 (1.06)	96 (.68)	.0033	(.23)	1.8 (.8)	
	48	MST-N232-CENL	Parallel	265 (1.87)	170 (1.19)	.0066	(.47)	2.6 (1.2)	
	48	MST-N232-CENL	Parallel	265 (1.87)	170 (1.19)	.0066	(.47)	2.6 (1.2)	
	48	MST-N340-DNNL	Series	450 (3.2)	284 (2)	.0166	(1.17)	3.8 (1.7)	
DM-2205i	48	MST-N341-CNNL	Series	650 (4.6)	410 (2.9)	.0216	(1.53)	5.0 (2.3)	
	48	MST-N341-CENL	Series	650 (4.6)	410 (2.9)	.0216	(1.53)	5.0 (2.3)	
	72	MST-N170-ANNL	Series	24 (.17)	15 (.11)	.0005	(.035)	.46 (.21)	
	CMD-260	72	MST-N171-ANNL	Series	44 (.31)	28 (.20)	.0006	(.044)	.60 (.27)
		72	MST-N170-AENL	Series	44 (.31)	28 (.20)	.0006	(.044)	.60 (.27)
		72	MST-N230-CNNL	Series	85 (.60)	54 (.38)	.0023	(.16)	1.1 (.5)
		72	MST-N231-CNNL	Series	150 (1.06)	96 (.68)	.0033	(.23)	1.8 (.8)
		72	MST-N232-CENL	Series	265 (1.87)	170 (1.19)	.0066	(.47)	2.6 (1.2)
		72	MST-N232-CENL	Series	265 (1.87)	170 (1.19)	.0066	(.47)	2.6 (1.2)
		72	MST-N340-DNNL	Series	450 (3.2)	284 (2)	.0166	(1.17)	3.8 (1.7)
72		MST-N341-CNNL	Series	650 (4.6)	410 (2.9)	.0216	(1.53)	5.0 (2.3)	
72	MST-N341-CENL	Series	650 (4.6)	410 (2.9)	.0216	(1.53)	5.0 (2.3)		
72	MST-N342-CNNL	Series	1200 (8.5)	756 (5.3)	.0436	(3.08)	8.4 (3.8)		
72	MST-N342-CENL	Series	1200 (8.5)	756 (5.3)	.0436	(3.08)	8.4 (3.8)		

Intelligent Drive Series

API Motion offers both the low power DM-224 and high power DM-2205 series intelligent microstep drives to meet a wide variety of applications. Our 2202 series drives are ideally suited for use with our Turbo Disc Magnet Stepper motors. Their high switching frequencies optimize the performance of these low inductance motors.



Features

These intelligent drives feature unique advantages for the user. Their processor based control design allows them to integrate easily in many different applications.

Programmability

- 4kB of flash memory
- APImate™ software
- Windows 95® compatible
- Full math support

Communication

- One Serial Port/switch selectable RS-232, 422, 485; 19.2 kBaud
- Optional DeviceNet support

Inputs/Outputs

- 7 user programmable inputs
- 4 user programmable outputs

Multiple Command Sources

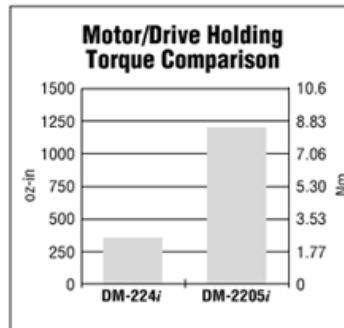
- Digital I/O: up to 64 stored sequences
- Network: up to 255 stored sequences, DeviceNet option
- Real-time velocity streaming

Performance

- Auto switching between micro and full step modes
- Programmable low power mode
- Software selectable midband and inductance compensation

Benefits

- Stand-alone operation
- Windows-based application programming
- Advanced control capability
- Easy to interface with: I/O controllers PLC and industrial PC Other serial communication devices
- Suitable for common communication standards
- Replace DC motors and drives
- Wide motor torque range
- Cooler running motor
- Software optimized performance for each motor



DeviceNet™ ODVA Requirements

Device Type	Position Controller
Explicit Peer-to-Peer Messaging	N
I/O Peer-to-Peer Messaging	N

DM-2202i, DM-224i and DM-2205i Models

DM-2202i 12-48 VDC, 2.4A	DM-224i 12-48 VDC, 3A	DM-2205i 24-72 VDC, 5A	Description
DM-2202i	DM-224i	N/A	TTL I/O
N/A	DM-224i-A	N/A	TTL I/O TTL I/O and one 8-bit analog input
N/A	DM-224i-O	DM-2205i-O	5-24 VDC optically-isolated I/O

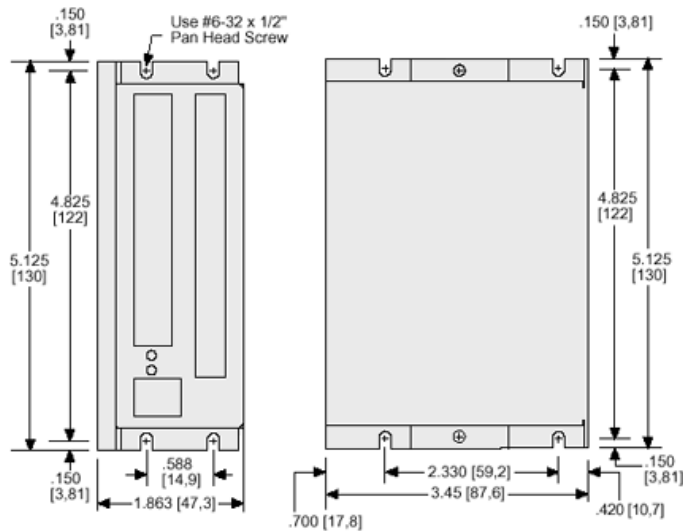
Configuration Consistency Value	N	DM-2202i-E	DM-224i-E	DM-2205i-E	Encoder inputs and 5-24 VDC optically-isolated I/O
Faulted Node Recovery	Y	N/A	DM-224i-AE	DM-2205i-AE	Encoder inputs and 5-24 VDC optically-isolated I/O and one 8-bit analog input
Baud Rates: 125, 250 and 500 kB		DM-2202i-EDN	DM-224i-EDN ¹	N/A	DeviceNet™ compliant with encoder inputs and 5-24 VDC optically-isolated I/O
Master/Scanner	N				

I/O Stave Messaging

- Bit Strobe N
- Polling Y
- Cyclic N
- Change of State (COS) N

(1) This product has been tested by an ODVA authorized independent test lab and found to comply with ODVA Conformance Test Version I

DM-2205i Series
(72 VDC, 5A)



*Representation drawing only; request complete catalog for individual model data.

- Drive Type** Two phase, bipolar, constant current, recirculating
- Resolution** 12800 steps/rev, auto-switches to full step at software programmable velocity
- Power** Drive +24 to +74 VDC, unregulated, 10% ripple

	Output	Hardware Setting , 0.16 to 5.0 amps (continuous per phase)
Protection	Short Circuit	Phase to phase, phase to ground
	Bus Over-Voltage	85°C (nominal)
	Low Power Mode	Software programmable, 0, 33, 66, or 100%
Environmental	Temperature	Ambient 0°C to 50°C, storage -40°C to 85°C
	Humidity	0 to 95%, non-condensing
Operational	Acceleration	Linear ramp with velocity streaming
	Step Accuracy	± 0 steps
	Position Range	± 2.1 billion
	Speed Range	0 to 100 RPS (6000 rpm) (motor dependant)
	Sequence Storage	Flash RAM, 255 sequences, 4k bytes
	Communications	Type
Baud Rate		19200
Format		8 data bits; 1 stop bit; no parity
Multi-Axis		32 units, switch selectable (Axis ID)
Inputs	Type	7 general purpose inputs TTL (5 VDC Max), (optional 5-24 VDC optical isolation available)
	Active State	High or low, software programmable
	Limits	Software programmable, must use general purpose inputs
	Encoder	0 to 200 kHz quadrature (optional), (A, B channels)
	Analog	-10 to +10 VDC, 8 bit resolution (optional)
	Outputs	Type

Recommended Standard Motor Selections

Step Motor Model	Holding Torque oz / Nm	Software Current Setting	Steps Per Revolution
MST-T232-CFOO	265 / 1.87	2.78	200
MST-T233-CFOO	350 / 2.47	2.74	200
MST-T341-CFOO	650 / 4.6	3.25	200
MST-T342-CFOO	1200 / 8.5	4.91	200
MST-D341-CFOO	150 / 1.06	2.3 (4.6)*	200

*Motors may be connected in serial or parallel.





Artisan Technology Group is your source for quality new and certified-used/pre-owned equipment

- FAST SHIPPING AND DELIVERY
- TENS OF THOUSANDS OF IN-STOCK ITEMS
- EQUIPMENT DEMOS
- HUNDREDS OF MANUFACTURERS SUPPORTED
- LEASING/MONTHLY RENTALS
- ITAR CERTIFIED SECURE ASSET SOLUTIONS

SERVICE CENTER REPAIRS

Experienced engineers and technicians on staff at our full-service, in-house repair center

*InstraView*SM REMOTE INSPECTION

Remotely inspect equipment before purchasing with our interactive website at www.instraview.com ↗

WE BUY USED EQUIPMENT

Sell your excess, underutilized, and idle used equipment. We also offer credit for buy-backs and trade-ins. www.artisanng.com/WeBuyEquipment ↗

LOOKING FOR MORE INFORMATION?

Visit us on the web at www.artisanng.com ↗ for more information on price quotations, drivers, technical specifications, manuals, and documentation

Contact us: (888) 88-SOURCE | sales@artisanng.com | www.artisanng.com