



Artisan Scientific

QUALITY INSTRUMENTATION ... GUARANTEED

Looking for more information?

Visit us on the web at <http://www.artisan-scientific.com> for more information:

- Price Quotations
- Drivers
- Technical Specifications, Manuals and Documentation

Artisan Scientific is Your Source for Quality New and Certified-Used/Pre-owned Equipment

- Tens of Thousands of In-Stock Items
- Hundreds of Manufacturers Supported
- Fast Shipping and Delivery
- Leasing / Monthly Rentals
- Equipment Demos
- Consignment

Service Center Repairs

Experienced Engineers and Technicians on staff in our State-of-the-art Full-Service In-House Service Center Facility

InstraView™ Remote Inspection

Remotely inspect equipment before purchasing with our Innovative InstraView™ website at <http://www.instraview.com>

We buy used equipment! We also offer credit for Buy-Backs and Trade-Ins

Sell your excess, underutilized, and idle used equipment. Contact one of our Customer Service Representatives today!

Talk to a live person: 888-88-SOURCE (888-887-6872) | Contact us by email: sales@artisan-scientific.com | Visit our website: <http://www.artisan-scientific.com>

3300/20 Dual Thrust Position Monitor

Bently Nevada™ Asset Condition Monitoring

Description

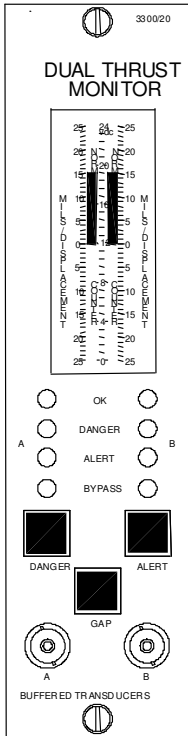
The 3300/20 Dual Thrust Position Monitor provides early warning of thrust bearing failure. It continuously measures and monitors two independent channels of shaft axial position relative to the axial clearances within the machine. Ideally, the axial probes are installed to observe the thrust collar directly, so the measurement represents the position of the collar relative to the thrust bearing clearance.

⚠ Caution

Because thrust measurements are made by observing the gap voltage of the proximity probe used as an input, a transducer failure (gap out of range) can be interpreted by the monitor as thrust position movement and result in a false thrust alarm. For this reason, Bently Nevada LLC. does not recommend the use of a single probe for thrust position applications. Instead, these applications should use two proximity probes observing the same collar or shaft and configure the monitor as AND voting whereby both transducers must simultaneously reach or exceed their alarm setpoints for the monitor's alarm relays to actuate. This 2-out-of-2 voting scheme (also known as AND voting) provides optimum protection against both false trips and missed trips. While the 3300/20 monitor can be programmed for either single voting (OR) or dual voting (AND), dual voting is strongly recommended for all thrust position applications.

⚠ Caution

Probe adjustment and range is critical in this monitor for machinery protection. Improper adjustment of the transducer may prevent the monitor from alarming (no machinery protection). For proper adjustment, follow instructions in the manual.



Specifications and Ordering Information
Part Number 141500-01
Rev. J (06/07)

Page 1 of 6

Specifications

Inputs

Signal:

Accepts one or two proximity probe signal inputs.

Input Impedance:

10 k Ω .

Sensitivity:

User-programmable for 200 mV/mil (8 V/mm) or 100 mV/mil (4 V/mm).

Power:

Nominal consumption of 1.5 watts.

Signal Conditioning

Accuracy:

Within $\pm 0.33\%$ of full-scale typical, $\pm 1\%$ maximum. All specified at temperature of $+25^{\circ}\text{C}$ ($+77^{\circ}\text{F}$).

Outputs

Recorder:

User-programmable for +4 to +20 mA, 0 to -10 Vdc, or +1 to +5 Vdc. Voltage or current outputs are proportional to programmed monitor full-scale. Independent recorder outputs are provided for each channel. Monitor operation is unaffected by short-circuits on recorder outputs.

Recorder Accuracy (in addition to signal conditioning accuracy) at $+25^{\circ}\text{C}$ ($+77^{\circ}\text{F}$):

- **+4 to +20 mA:** $\pm 0.7\%$ of signal, ± 0.09 mA offset.
- **+1 to +5 Vdc:** $\pm 1.1\%$ of signal, ± 10 mV offset.

- **0 to -10 Vdc:** $\pm 1.1\%$ of signal, ± 15 mV offset.

Output Impedance (voltage outputs):

100 Ω . Minimum load resistance is 10 k Ω .

Voltage Compliance (current outputs):

0 to +12 Vdc range across load. Load resistance is 0 to 600 Ω when using +4 to +20 mA option.

Buffered Transducer Outputs:

There is one coaxial connector per channel on the front panel and one terminal connection per channel on the rear panel. All are short-circuit protected.

Output Impedance:

100 Ω .

Transducer Supply Voltage:

User-programmable in power supply for -24 Vdc or -18 Vdc. Current limited on individual monitor circuit board.

Note: Contact your nearest sales professional if 3000 series transducers are to be used in the monitoring system which also uses 3300 and/or 7200 series transducers.

Alarms

Alarm Setpoints:

Both alarms (Alert and Danger) are bi-directional (normal and counter), digitally adjustable from 0 to 100% of full-scale and can be set within LCD resolution ($\pm 1.6\%$) to desired level. Once set, alarms are repeatable within 0.39% of full-scale.

Displays

Meter:

Nonmultiplexing vertical bargraph type Liquid Crystal Display (LCD). Individual 63 segment LCD per channel. Probe Gap indicated on a third, center scale. LCD also displays error codes and monitor ADJUST mode.

Resolution:

Within $\pm 1.6\%$ of monitor full-scale.

Size:

83 mm (3.25 inches), vertical dimension.

LED Indicators

OK:

One constant ON green LED per channel indicates OK condition of monitor, transducers, and field wiring. Constant OFF indicates NOT OK condition or Channel Bypassed (red Bypass LED will be ON). OK LED flashing at 5 Hz indicates error code(s) stored in memory.

Alarm:

Two red LEDs per channel indicate alarm status (individually for Alert and Danger). Flashing alarm LED indicates First Out (independent for Alert and Danger).

Bypass:

Two red LEDs indicate status of Danger Bypass and Rack/Channel Bypass functions (individually per channel).

Environmental Limits

Operating Temperature:

0°C to +65°C (+32°F to +150°F).

Storage Temperature:

-40°C to +85°C (-40°F to +185°F).

Relative Humidity:

To 95%, noncondensing.

CE Mark Directives

EMC Directive

Certificate of Conformity: 158710

Low Voltage Directive

Certificate of Conformity: 135300

Hazardous Area Approvals

CSA/NRTL/C

Class I, Div 2

Groups A, B, C, D

T4 @ Ta = +65 °C

Certification Number

150368 - 1002151 (LR 26744)

ATEX

 II 3 G

EEx nC[L] IIC

T4 @ Ta = -20°C to +60°C

When installed per document number 132577-01.

Certification Number

BN26744C-55A

Physical

Space Requirements:

One rack position (any position except 1 and 2, which are reserved for Power Supply and System Monitor, respectively).

Weight:

1 kg (2.2 lbs.).

Specifications and Ordering Information
Part Number 141500-01
Rev. J (06/07)

Ordering Information

For spares, order the complete catalog number as described below. This includes a front panel assembly, monitor PWAs with sheet metal, and appropriate relay module. This unit is optioned, tested and ready to install in your system. Spare relay modules can be ordered separately.

Dual Thrust Position Monitor

3300/20-AXX-BXX-CXX-DXX-EXX

Option Descriptions

A: Full-scale Range Option

01	25-0-25 mils
02	30-0-30 mils
03	40-0-40 mils
05	50-0-50 mils
06	75-0-75 mils
11	0.5-0-0.5 mm
12	1.0-0-1.0 mm
13	2.0-0-2.0 mm

B: Transducer Input Option

01	3300 or 7200 Proximity® systems, 200 mV/mil (Ranges 01, 02, 03, 11, and 12 only.)
02	7200 11 mm (not 3300XL) Proximity system, 100 mV/mil
03	7200 14 mm or 3300 HTPS Proximity systems, 100 mV/mil
04	3000 Proximity® 200 mV/mil (Transducer Output Voltage in power supply must be set for -18 Vdc or use power converter. Ranges 01 and 11 only.)
05	3300XL NSv and 3300 RAM Proximity Sensor, 200 mV/mil (Ranges 01 and 11 only).

Note:

1. For 3300 XL 11mm transducers, use mod 146300-01.
2. Contact your nearest sales professional if 3000 series transducers are to be used in a monitoring system which also uses 3300 and/or 7200 Series transducers.

C: Alarm Relay Option

00	No Relays
01	Epoxy-sealed
02	Hermetically-sealed
03	Quad Relay (Epoxy-sealed only)
04	Spare Monitor-No SIM/SIRM

Notes:

1. AND voting logic is not available with Quad Relays.
2. At least one relay module must be ordered with each 3300 System. If one common relay module per system has been ordered, all monitors of this type must be jumper programmed at the factory to activate a relay bus. Order SCK (Special Configuration Kit) 157520-119 & -120 for bus one or 157520-121 & -122 for bus two.
3. Agency approval places limitations on the relay module. Refer to the Relay Module data sheet for information.
4. Quad Relays are not available with the Internal Safety Barriers option.

D: Agency Approval Option

00	Not required
01	CSA/NRTL/C
02	ATEX self certification

Note: ATEX approval requires the monitor rack be installed in a weatherproof housing.

E: Safety Barrier Option

00	None
01	External
02	Internal

Spare Relay Module Assemblies

(Order the option in parenthesis for ATEX approved spares)

81544-01(02)

No Relays

81545-01(02)

Dual Epoxy Relays

81546-01(02)

Dual Hermetic Relays

84152-01(02)

Quad Relays

88984-01(04)

Dual Hermetic, Internal Barriers

88984-02(05)

Dual Epoxy, Internal Barriers

88984-03(06)

No Relay, Internal Barriers

Notes:

1. External Safety Barriers must be ordered separately.

Specifications and Ordering Information
Part Number 141500-01
Rev. J (06/07)

2. Quad Relays are not available with Internal Safety Barriers option.

Field-programmable Options

These options are field-programmable via plug-in jumpers.

Bold text indicates options as shipped from the factory.

First Out Option

Enabled
Disabled

OK Mode Option

Nonlatching
Latching

Alarm Time Delay Option

0.1 second
1 second
3 seconds
6 seconds

Alert Reset Mode Option

Latching
Nonlatching

Danger Reset Mode Option

Latching
Nonlatching

Alert Relay Mode Option

Normally de-energized
Normally energized

Danger Relay Mode Option

Normally de-energized
Normally energized

Recorder Outputs Option

+4 to +20 mA
+1 to +5 Vdc
0 to -10 Vdc

Danger Relay Voting Option

AND voting for relay drive
OR voting for relay drive

Note: For Quad Relays, AND voting logic must be done externally by wiring the contacts in series.

Normal Thrust Direction Option:

(programmable per channel)

Toward probe
Away from probe

Accessories

89634-01

-24V to -18V Proximitator Power Converter

128112

Galvanic Isolator Kit

02245002

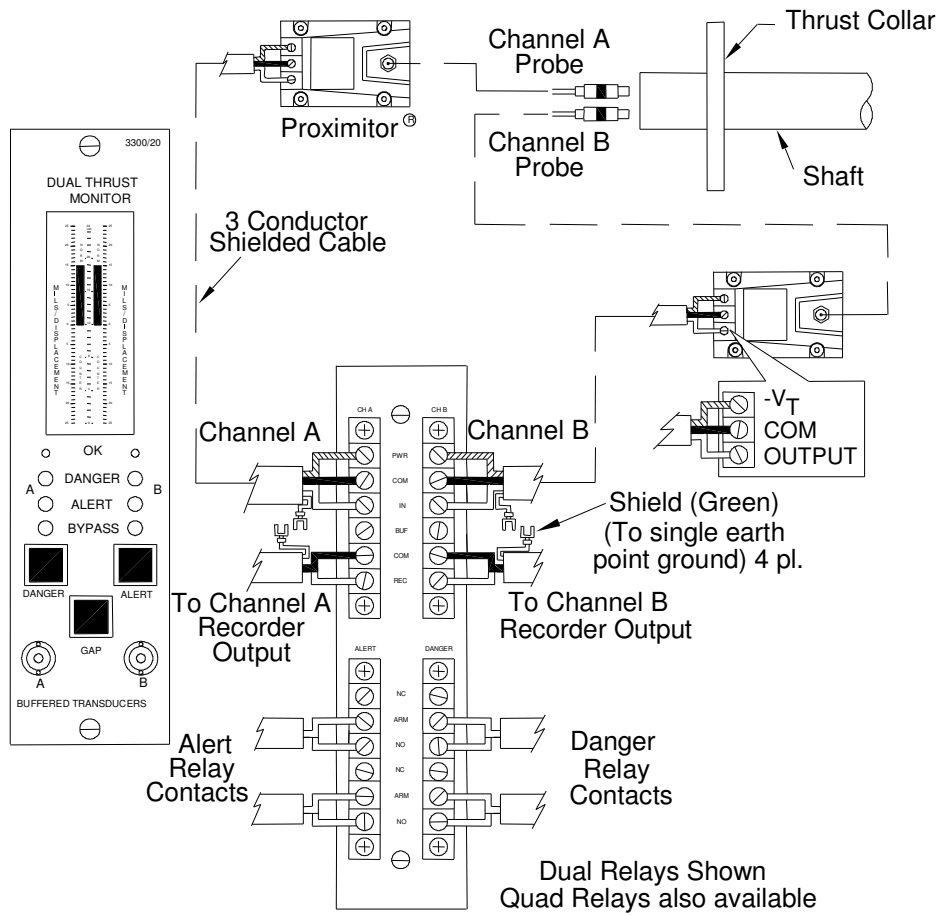
External Barrier

02200214

Surge Protector

Field wiring diagram

3300/20 Dual Thrust Position Monitor



Bently Nevada and Proximitors are trademarks of General Electric Company.

Copyright 1999. Bently Nevada LLC.
1631 Bently Parkway South, Minden, Nevada USA 89423
Phone: 775.782.3611 Fax: 775.215.2873

www.ge-energy.com/bently

All rights reserved.

Specifications and Ordering Information
Part Number 141500-01
Rev. J (06/07)

Page 6 of 6



Artisan Scientific

QUALITY INSTRUMENTATION ... GUARANTEED

Looking for more information?

Visit us on the web at <http://www.artisan-scientific.com> for more information:

- Price Quotations
- Drivers
- Technical Specifications, Manuals and Documentation

Artisan Scientific is Your Source for Quality New and Certified-Used/Pre-owned Equipment

- Tens of Thousands of In-Stock Items
- Hundreds of Manufacturers Supported
- Fast Shipping and Delivery
- Leasing / Monthly Rentals
- Equipment Demos
- Consignment

Service Center Repairs

Experienced Engineers and Technicians on staff in our State-of-the-art Full-Service In-House Service Center Facility

InstraView™ Remote Inspection

Remotely inspect equipment before purchasing with our Innovative InstraView™ website at <http://www.instraview.com>

We buy used equipment! We also offer credit for Buy-Backs and Trade-Ins

Sell your excess, underutilized, and idle used equipment. Contact one of our Customer Service Representatives today!

Talk to a live person: 888-88-SOURCE (888-887-6872) | Contact us by email: sales@artisan-scientific.com | Visit our website: <http://www.artisan-scientific.com>