



## Artisan Technology Group is your source for quality new and certified-used/pre-owned equipment

- FAST SHIPPING AND DELIVERY
- TENS OF THOUSANDS OF IN-STOCK ITEMS
- EQUIPMENT DEMOS
- HUNDREDS OF MANUFACTURERS SUPPORTED
- LEASING/MONTHLY RENTALS
- ITAR CERTIFIED SECURE ASSET SOLUTIONS

### SERVICE CENTER REPAIRS

Experienced engineers and technicians on staff at our full-service, in-house repair center

### *InstraView*<sup>SM</sup> REMOTE INSPECTION

Remotely inspect equipment before purchasing with our interactive website at [www.instraview.com](http://www.instraview.com) ↗

### WE BUY USED EQUIPMENT

Sell your excess, underutilized, and idle used equipment. We also offer credit for buy-backs and trade-ins. [www.artisanng.com/WeBuyEquipment](http://www.artisanng.com/WeBuyEquipment) ↗

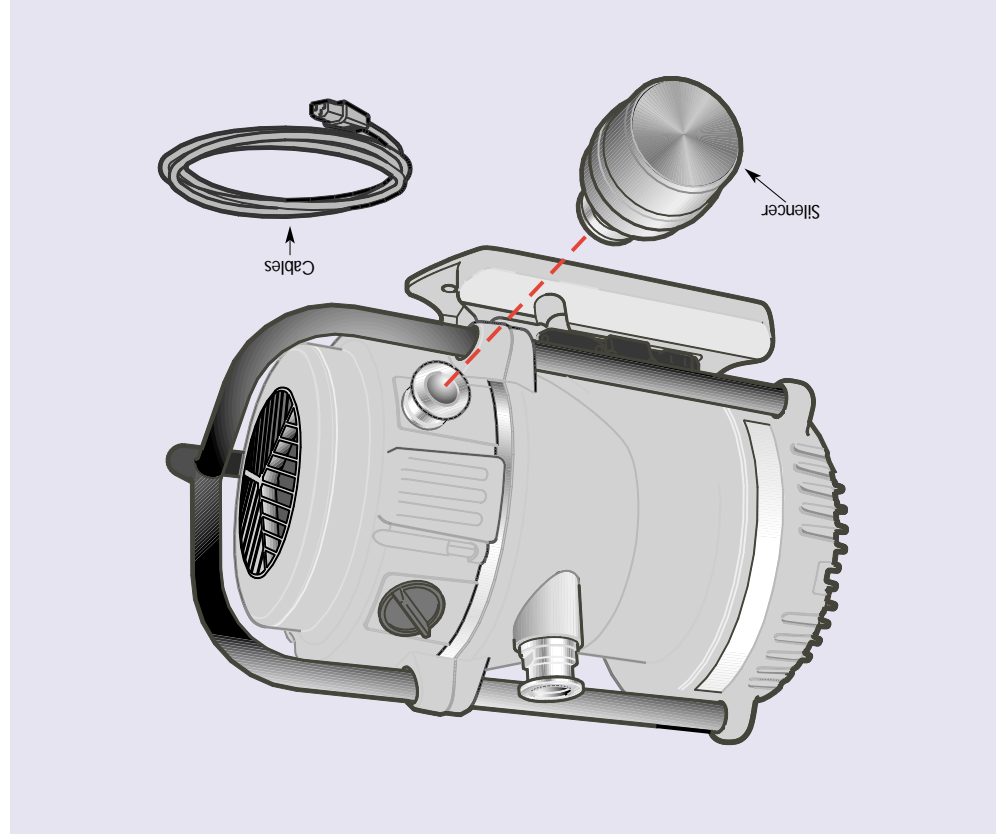
### LOOKING FOR MORE INFORMATION?

Visit us on the web at [www.artisanng.com](http://www.artisanng.com) ↗ for more information on price quotations, drivers, technical specifications, manuals, and documentation

**Contact us:** (888) 88-SOURCE | [sales@artisanng.com](mailto:sales@artisanng.com) | [www.artisanng.com](http://www.artisanng.com)

### Ordering details

Description	Ordering Number
XDSS 1ph, 115V/230V 50/60Hz set to 230V	A72401903
XDSS 1ph, 100/200V set to 200V	A72401904
XDSS 3ph, 200-230/380-415V 50Hz	Contact
200-230/460V 60Hz	A5050003
XDSS 1ph, 115V/230V 50/60Hz set to 115V	A72401906
XDSS 1ph, 115V/230V 50/60Hz set to 230V	A72601903
XDSS10 1ph, 100/200V set to 200V	A72601904
XDSS10 1ph, 100/200V set to 200V	Contact
XDSS10 3ph, 200-230/380-415V 50Hz	A5050000
200-230/460V 60Hz	A72601906
XDSS10 1ph, 115V/230V 50/60Hz set to 115V	A5050000
UK, three pin plug	A5050000
North European plug	A5050000
North American plug	A5050000
Silencer for XDSS and XDSS10	A50597000
Vibration Isolators	A24801408
Tip seal kit	A73001801
Reading piece NW40Z5	C10516439
Centering ring & O-ring NW25	C10514395
Clamp - NW25	C10514401
Kit for XDSS, XDSS10, XDSS5i	A5062801



Accessories

BOC Edwards is a world leader in process equipment, materials and services for electronics, industrial and scientific applications. Our aim is to offer customers solutions that result in a measurable improvement in productivity.

**BOC EDWARDS PRODUCTS AND SERVICES**

- THERMAL MANAGEMENT
- INSTRUMENTATION
- DESIGN & PROJECT MANAGEMENT
- COMPONENT CLEANING
- ON-SITE SERVICE
- EQUIPMENT MAINTENANCE & REMANUFACTURE
- E-DIAGNOSTICS
- EH&S SERVICES
- TRAINING
- BULK GASES
- ELECTRONIC MATERIALS
- CHEMICAL MANAGEMENT
- VACUUM PUMPS & SYSTEMS
- EXHAUST MANAGEMENT
- WASTE MANAGEMENT
- COATING SYSTEMS
- PRESSURE BLOWERS
- PHARMACEUTICAL SYSTEMS

**CORPORATE HEADQUARTERS**

BOC Edwards  
Manor Royal  
Crawley  
West Sussex RH10 9LW  
United Kingdom  
T +44 (0) 1293 528 844  
F +44 (0) 1293 533 453

**EUROPE**

UK Crawley + (44) 1293 528844  
UK Clevedon + (44) 1275 337100  
BELGIUM Brussels + (32) 2 363 0030  
FRANCE Paris + (33) 1 47 98 24 01  
FRANCE Roubaix + (33) 3 20 45 39 39  
GERMANY Munich + (49) 89 99 19 18 0  
ITALY Milan + (39) 02 48 4471

**USA**

WILMINGTON, MA + (1) 978 658 5410  
TOLL FREE (USA only) + (1) 800 848 9800  
SANITA CLAY, CA + (1) 408 496 1177  
TEMPLE AZ + (1) 480 777 7007  
AUSTIN, TX + (1) 512 416 0102  
MISSISSAUGA + (1) 800 387 4076

**CANADA**

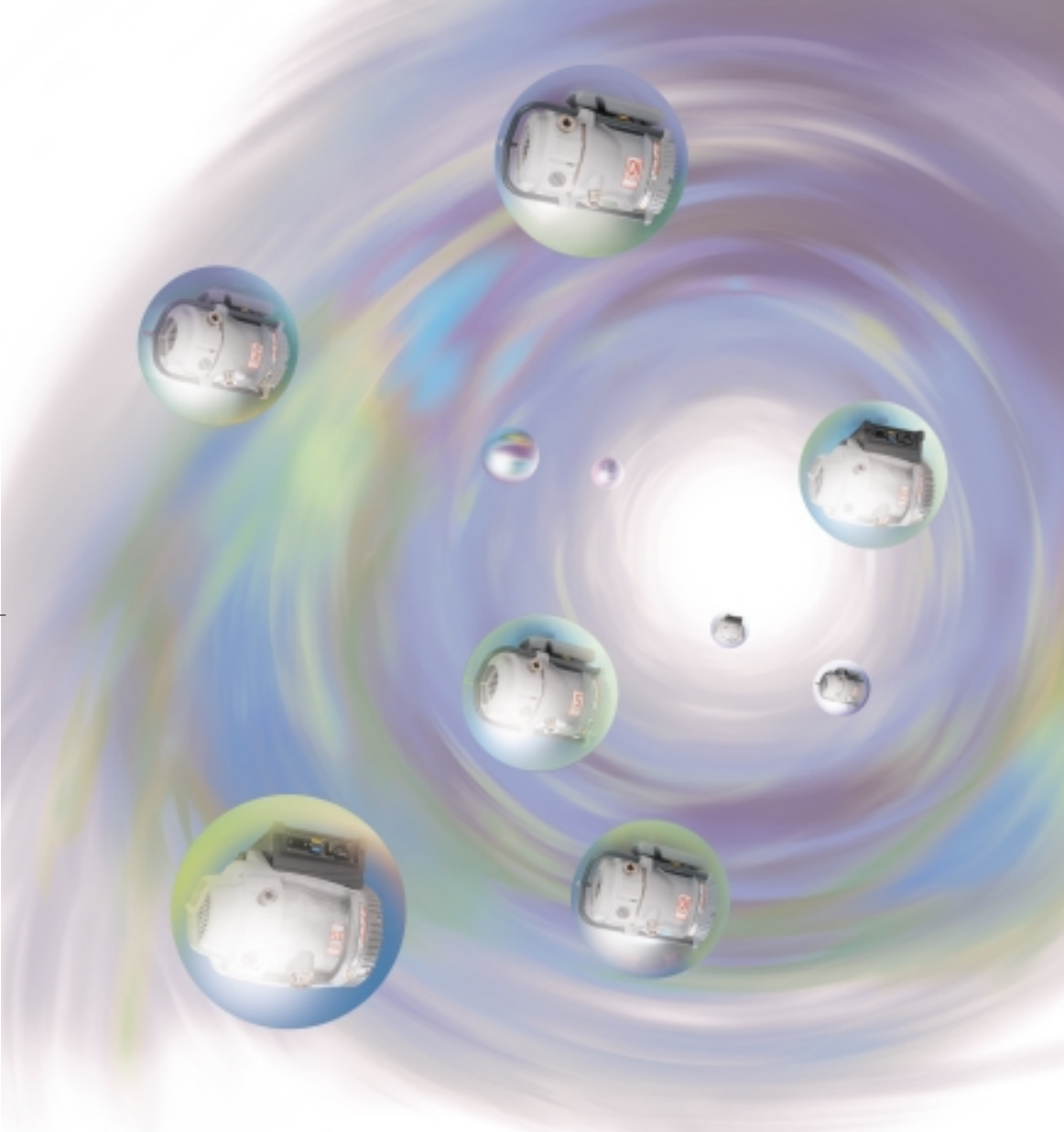
Or email us at:  
[www.bocedwards.com](http://www.bocedwards.com)  
info@bocedwards.com

BOC Edwards is a trading name used by affiliate companies of the BOC Group plc.  
The stripe symbol is a trademark of the BOC Group plc.  
Publication no: A726 05 895

**BOC EDWARDS**

[www.bocedwards.com](http://www.bocedwards.com)

# XDS Dry Scroll Pumps



**BOC EDWARDS**  
for Better Process Results



BOC Edwards' 30 years of experience in scientific applications affords us a deep understanding of research practices and the critical role that vacuum plays within them. From this platform, and through collaboration with the major analytical instrument manufacturers, we develop and support innovative vacuum products that underpin the customer's entire research process.

The XDS range is a unique award-winning dry pumping technology. It is designed to provide a robust and clean dry pumping solution for all applications.

All pumps in the range are approved to UL and CSA standards and backed by BOC Edwards' worldwide service and support.

### Typical Applications

Instrumentation	
•	Analytical instruments - GC/MS
•	Analytical instruments - LC/MS
•	Automotive
•	Beam lines and high energy physics
•	Centrifuges, ultra-high speed
•	Coating
•	Cryogenics
•	Depositing - oil, epoxy resin
•	Distillation/extraction/filtration
•	Freeze drying
•	Furnaces
•	Gas bottle filling/emptying
•	Gel drying
•	Glove boxes, ovens
•	Laboratory bench top vacuum
•	Lasers, gas recovery and re-circulation
•	Leak detectors, Helium
•	Load locks and transfer chambers
•	Rare gas re-circulation
•	Rare gas recovery
•	Refrigeration manufacture
•	Research and development
•	Rotary, centrifugal evaporators
•	Scanning electron microscopes - SEM
•	SEM/IB (ion beam repair)
•	Solvent recovery
•	Surface science instruments
•	Turbo-molecular backing pumps

# Unique design that sets the industry standard

**Patented bearing shield**  
Totally clean and dry vacuum  
No bearings or grease in the vacuum space  
No shaft seals, no bearing purges  
No shaft seals, no bearing purges  
The XDS range is a unique award-winning dry pumping technology. It is designed to provide a robust and clean dry pumping solution for all applications.

**Integral IEC 60320 connector**  
No customer wiring

**Motor on/off switch**  
Ease of control

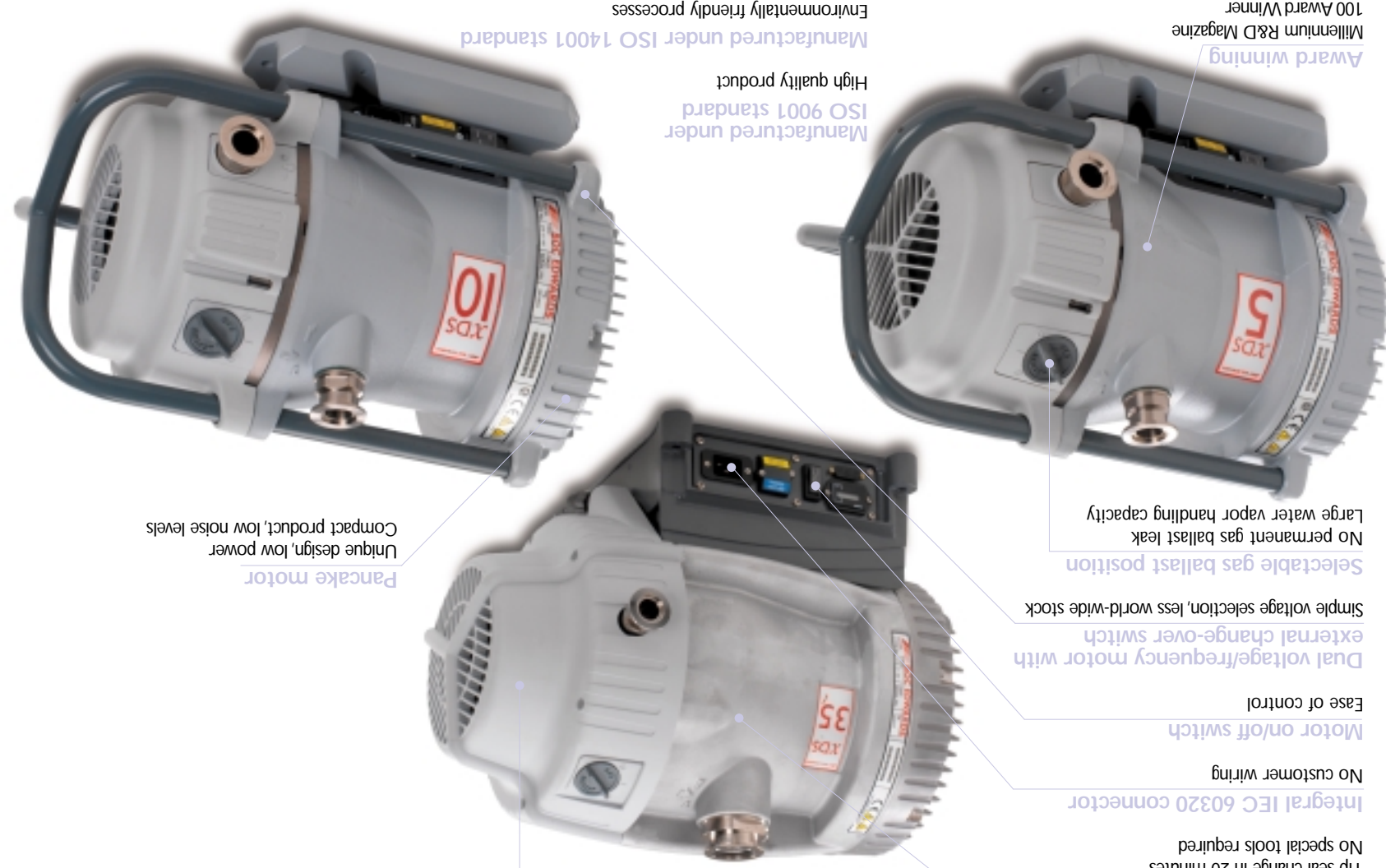
**Dual voltage/frequency motor with external change-over switch**  
Simple voltage selection, less world-wide stock

**Selectable gas ballast position**  
No permanent gas ballast leak  
Large water vapor handling capacity

**Inverter driven motor (XDS35i)**  
Worldwide voltage, low power consumption  
Remote on/off control capability  
Remote speed selection capability  
Pump overload protection  
Tip seal change in 20 minutes  
No special tools required

**Pancake motor**  
Unique design, low power  
Compact product, low noise levels

**All pumps externally approved to EN61010, CSA C22.2 1010, UL 61010 standards**  
Ease of incorporating pump into approved systems, safe product



Dimensions	XDS5	XDS10	XDS20	XDS35i
A	427	249	288	476
B	249	288	210	290
C	288	210	180	397
D	427	249	180	212
E	249	288	195	297
F	476	290	315	353

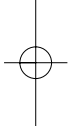
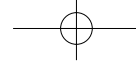
All dimensions in mm

### Specifications

VACUUM DATA	60 Hz	50 Hz	Units
Peak pumping speed <sup>1,2</sup>	60	3.5	cm <sup>3</sup> /h
Ultimate pressure (Total)	50	4.8	mTorr
Ultimate pressure GB I (Total)	60	0.05	Torr
Ultimate pressure GB II (Total)	50/60	0.09	Torr
Ultimate pressure GB I (Total)	50/60	0.15	mbar
Ultimate pressure GB II (Total)	50/60	-	Torr
High throughput mode	50/60	-	Torr
Water vapor capacity - GB I	-	38	Torr
Water vapor capacity - GB II	-	23	Torr
Water vapor capacity - GB I	-	50	mbar
Water vapor capacity - GB II	-	70	gh
Motor rating 1 phase (nominal)	60	300	W
Motor rating 3 phase	50	300	W
Motor rating 3 phase	50	300	W
Note 3	-	-	-
Nominal rotation speed	60	1800	rpm
50	1500	1800	rpm
Weight	106	54	lb
1800	48	24.5	kg
Length	18.7	16.8	inch
47.6	42.7	16.8	mm
Width	13.1	9.8	inch
33.3	24.9	9.8	mm
Height	15.6	11.3	inch
39.6	28.8	11.3	mm
Inlet flange	NVW25	NVW25	
Exhaust flange	NVW25	NVW25	
Noise level	55	55	dB(A)
Leak tightness	<1x10 <sup>-6</sup>	<1x10 <sup>-6</sup>	mbar/l/s
Operating temperature range	10 to 40	10 to 40	°C

PHYSICAL DATA	60 Hz	50 Hz	Units
Motor rating 1 phase (nominal)	60	300	W
Motor rating 3 phase	50	300	W
Note 3	-	-	-
Nominal rotation speed	60	1800	rpm
50	1500	1800	rpm
Weight	106	54	lb
1800	48	24.5	kg
Length	18.7	16.8	inch
47.6	42.7	16.8	mm
Width	13.1	9.8	inch
33.3	24.9	9.8	mm
Height	15.6	11.3	inch
39.6	28.8	11.3	mm
Inlet flange	NVW25	NVW25	
Exhaust flange	NVW25	NVW25	
Noise level	55	55	dB(A)
Leak tightness	<1x10 <sup>-6</sup>	<1x10 <sup>-6</sup>	mbar/l/s
Operating temperature range	10 to 40	10 to 40	°C

Notes: 1. XDS35i is inverter controlled, pre-set to 60 Hz.  
2. Pumping speed measured to PNURCP 6602.  
3. Contact BOC Edwards.  
4. XDS5/10 at 50 Hz, XDS35i at 60 Hz.





## Artisan Technology Group is your source for quality new and certified-used/pre-owned equipment

- FAST SHIPPING AND DELIVERY
- TENS OF THOUSANDS OF IN-STOCK ITEMS
- EQUIPMENT DEMOS
- HUNDREDS OF MANUFACTURERS SUPPORTED
- LEASING/MONTHLY RENTALS
- ITAR CERTIFIED SECURE ASSET SOLUTIONS

### SERVICE CENTER REPAIRS

Experienced engineers and technicians on staff at our full-service, in-house repair center

### *InstraView*<sup>SM</sup> REMOTE INSPECTION

Remotely inspect equipment before purchasing with our interactive website at [www.instraview.com](http://www.instraview.com) ↗

### WE BUY USED EQUIPMENT

Sell your excess, underutilized, and idle used equipment. We also offer credit for buy-backs and trade-ins. [www.artisanng.com/WeBuyEquipment](http://www.artisanng.com/WeBuyEquipment) ↗

### LOOKING FOR MORE INFORMATION?

Visit us on the web at [www.artisanng.com](http://www.artisanng.com) ↗ for more information on price quotations, drivers, technical specifications, manuals, and documentation

**Contact us:** (888) 88-SOURCE | [sales@artisanng.com](mailto:sales@artisanng.com) | [www.artisanng.com](http://www.artisanng.com)