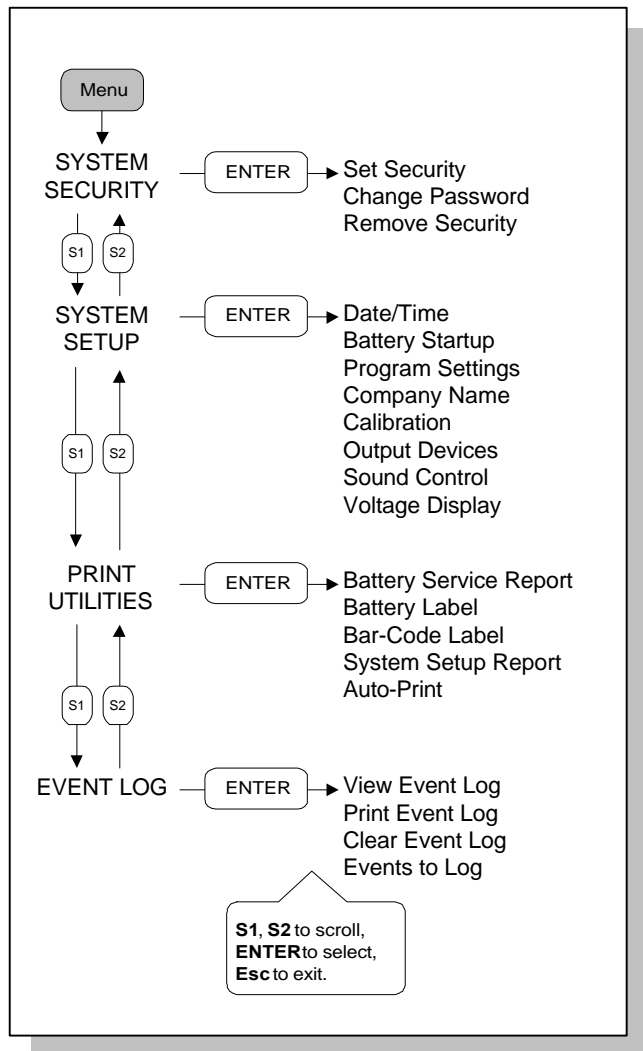


Menu



C7000

Quick Reference Guide

This Quick Reference Guide describes the basic procedures on how to service a battery. For details on C-Codes, refer to the User's Manual.

1. Turn the power on and insert Battery Adapter into a station.
2. Insert battery into the adapter.
3. View the battery configurations (C-Codes) by pressing **ENTER**.

Battery Chemistry	Nominal Voltage	Capacity	Program Setting
S1*C4 NiMH	6.00V,	500mAh,	Auto
Press [CCode] to Edit			

Station, C-Code

If the selected C-Code (indicated by “*”) is correct, proceed to step 7 to start service.

If there is no C-Code stored in the adapter, create a custom C-Code:

- ▶ Press **CCode**.
- ▶ Use the **↑ (S2)** and **↓ (S1)** keys or keypad to enter the settings. Advance or go back using the **→ (S4)** and **← (S3)** keys.
- ▶ Press **ENTER** and select **Yes**. Now you can proceed to step 7 to start service.

4. Select the correct C-Code.

- ▶ Use the **↑** and **↓** keys to scroll through the available C-Codes in the adapter, then press **ENTER** when the correct C-Code is displayed.
- ▶ Press **ENTER** to confirm the selection. To cancel, press **Esc**.

Warning: Always use the correct C-Code, especially correct chemistry. Failure to do so may cause damage to the battery, fire or explosion.

Cadex Electronics Inc.

22000 Fraserwood Way, Richmond, BC, Canada, V6W 1J6

Toll free: +1 800 565-5228 Tel: +1 604 231-7777 Fax: +1 604 231-7755

E-mail: info@cadex.com Web: www.cadex.com

Program Settings

Auto	Exercises battery and applies Recondition if the Target Capacity is not reached.
Charge	Applies fast charge.
Prime	Prepares new battery for field-use by repeatedly cycling the battery to obtain peak capacity.
OhmTest	Tests internal resistance.
Runtime	Measures length of time the battery can provide a given current.
Self Discharge	Measures and compares capacity before and after recharging the battery.
Life Cycling	Continuously cycles battery until capacity drops to target setting.
Discharge Only	Discharges battery to the End of Discharge voltage.
Extended Prime	Applies a 16h trickle charge, then cycles battery to obtain peak capacity.

Target Capacity Settings

90, 100%	Maintains batteries for critical applications; <i>fewer batteries will pass.</i>
80%	(Default) Recommended nominal setting.
60, 70%	Recommended for less stringent applications; <i>more batteries will pass.</i>

Target Capacity is the percentage of the battery capacity compared to the nominal capacity. It serves as the threshold for reconditioning a battery. Note that Target Capacity does not affect the charge level.

The batteries are always fully charged.

5. Select the program and Target Capacity.

- ▶ Press the **PROG** key.
- ▶ Use the **↑** and **↓** keys to select the program and Target Capacity, the **←** and **→** keys to toggle between the fields.
- ▶ Press **ENTER** when the desired program and Target Capacity are chosen.
- ▶ Press **ENTER** to confirm the selections. To cancel, press **Esc**.

6. Verify the settings again after pressing ENTER.

7. **Start Service** by pressing **ENTER**. The display and lights show the status of the process.

8. Service is complete.

READY	NO ADAPT	NO ADAPT	NO ADAPT
620mA			

- ▶ To view details, press the station key.
- ▶ To remove the adapter, press the latch-bar behind the label and lift the adapter upwards.

Summary of the Fn Key Functions

From Global Display

Fn 5	View number of batteries serviced.
Fn 7	View firmware version and option board.
Fn 8	Calibrate adapter/station.

From C-Code Viewing Screen

Fn 0	Delete a C-Code.
Fn 1	Reset Extended C-Code to default settings.
Fn 3	Copy a single C-Code.
Fn 6	Copy all C-Codes to another Battery Adapter.
Fn 7	Add, edit or erase battery setup name.