



Artisan Technology Group is your source for quality new and certified-used/pre-owned equipment

- FAST SHIPPING AND DELIVERY
- TENS OF THOUSANDS OF IN-STOCK ITEMS
- EQUIPMENT DEMOS
- HUNDREDS OF MANUFACTURERS SUPPORTED
- LEASING/MONTHLY RENTALS
- ITAR CERTIFIED SECURE ASSET SOLUTIONS

SERVICE CENTER REPAIRS

Experienced engineers and technicians on staff at our full-service, in-house repair center

*InstraView*SM REMOTE INSPECTION

Remotely inspect equipment before purchasing with our interactive website at www.instraview.com ↗

WE BUY USED EQUIPMENT

Sell your excess, underutilized, and idle used equipment. We also offer credit for buy-backs and trade-ins. www.artisanng.com/WeBuyEquipment ↗

LOOKING FOR MORE INFORMATION?

Visit us on the web at www.artisanng.com ↗ for more information on price quotations, drivers, technical specifications, manuals, and documentation

Contact us: (888) 88-SOURCE | sales@artisanng.com | www.artisanng.com

Horizontal Board Loading Enclosure

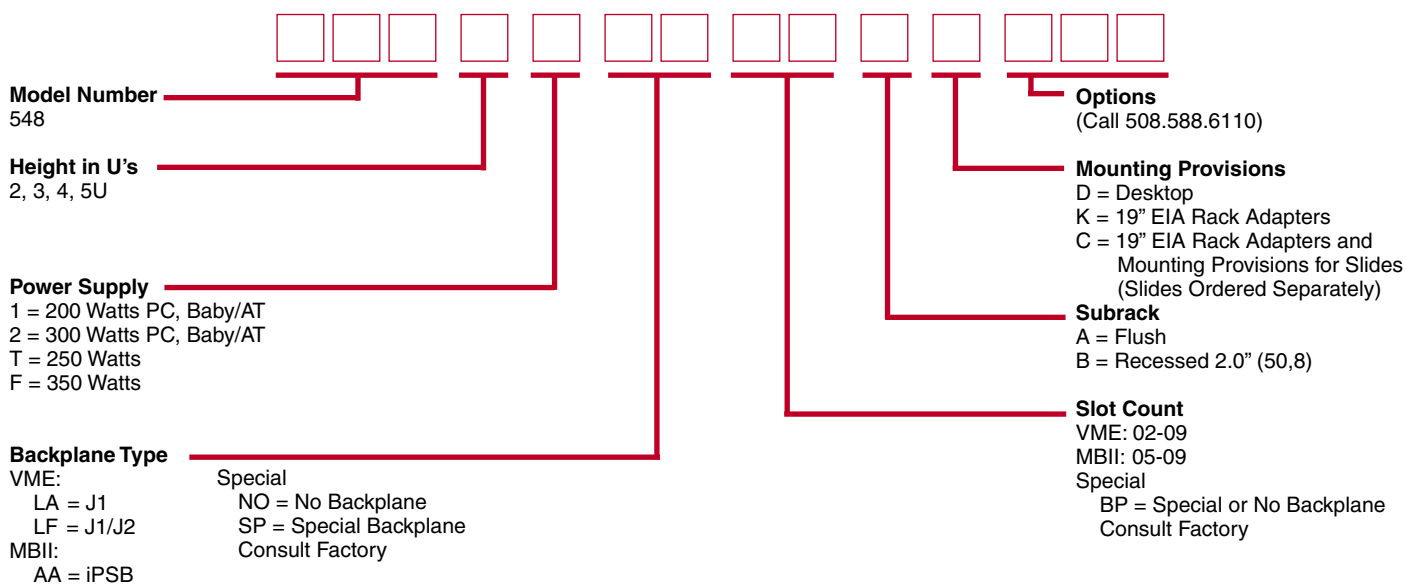
548 Series

ELECTRONIC PACKAGING DIVISION

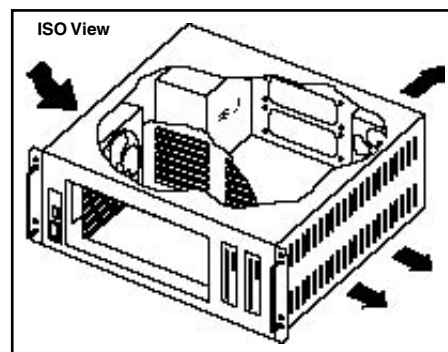
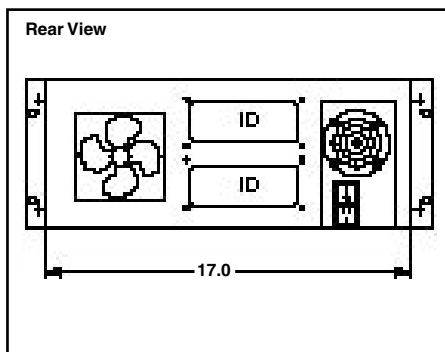
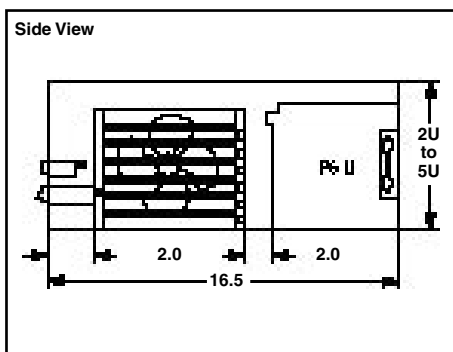


- Up to Nine Slots (4 HP)
- 16.5" (419) Deep
- VME64, MBII, MBI, and VME64x
- Power Supplies to 300W
- Horizontal Board Loading
- Desktop or Rackmount
- Optional Drive Mounting Provisions
- Optional I/O Provisions
- Front Card Access

Ordering Information



(See Backplane Section for Details and Additional Backplanes)



—innovative engineering, dependable products—

Carlo Gavazzi Computing Solutions designs and manufactures standard and custom AdvancedTCA™, CompactPCI®, PCI/ISA, and Switch Fabric backplanes, cabinets, enclosures, I/O boards, and integrated systems that address your outsourcing and time-to-market needs.



CARLO GAVAZZI COMPUTING SOLUTIONS

- Electronic Packaging
- Fabric & Connectivity
- Embedded Computing
- Fulfillment

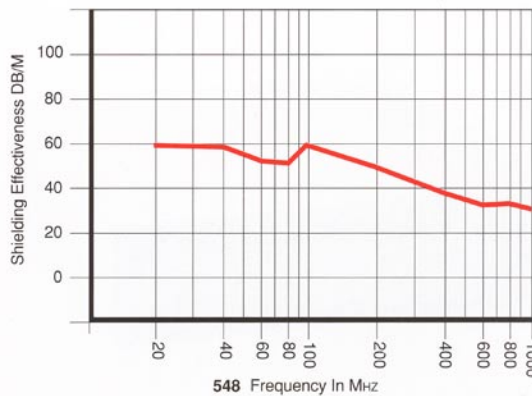
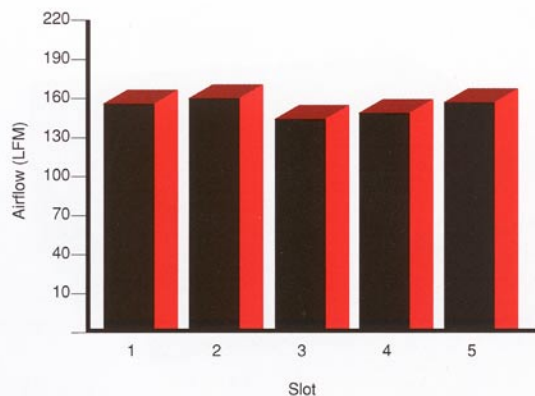


Horizontal Board Loading Enclosure

548 Series

ELECTRONIC PACKAGING DIVISION

Test Data - 548 Series



Design Specification 548

Physical

- Depth - 16.5" (419,1)
- Height - See Table A
- Width - 17" (431,8) w/o EIA Ears

System Options

- Hot Swap Backplanes
- System Monitor
- Fan Monitor
- Temperature Monitor

Backplanes

- 100% Level 3 Elec. Test
- 100% Press-Fit Construction
- VME, VME Hot Swap, MBII
- See Backplane Section for Complete List of Options

Reliability

MTTR	MTBF
PSU = .5 hrs	= 50,000 hrs
FAN = .25 hrs	= 50,000 hrs
B/P = 1 hr	= 1,000,000 hrs

Environmental

- Operating Temperature 0° to 50° C
- Storage Temperature -20° to 85° C
- Humidity - Less Than 95% Noncondensing
- Acoustical - <45dba Typ.

Electrical

- Frequency 47-63 Hz (400 Hz Available)
- Voltage 90 - 132, 180 - 264 VAC (Auto range Available)
- Fusing - Internal to PSU
- Power - 200 to 300 Watts See Table B for Options
- Front On/Off Reset

Cooling

- Typical 90 CFM Fan
- 12V DC Brushless Sealed Ball Bearing
- Current Draw 500 mA/Fan Typ.

Designed To Meet

- UL 1950
- EN 60950
- VDE Class A
- CSA 22.2
- FCC Class A

Structure

- .09" (2,29) 5052-H32 Aluminum
- Clear Chromate MIL-C-5541 CL3
- Outside Surface Painted Fed. Std. 26493 Grey
- Anti-vibration Fasteners
- Conductive Interfaces

Height

# of Slots	Enclosure Height Required
VME/MBII	
*3	2U
4, 5	3U
6, 7	4U
9	5U

NOTE: Drives are Located to the Side of Subrack.

*VME Only

Power Supply Current Outputs

Power Supply	+5V	-5V	+12V	-12V
200 Watts (1)	20A	.3A	8A	.3A
300 Watts (2)	26A	.5A	9A	.5A
250 Watts (T)	35A	1.5A	8/12A	2A
350 Watts (F)	50A	2A	8/12A	4A

CARLO GAVAZZI
COMPUTING SOLUTIONS

East: 10 Mupac Drive, Brockton, MA 02301
West: 740 E. Glendale Ave., Sparks, NV 89431

• Tel. 508.588.6110 • Fax 508.588.0498 • www.gavazzi-computing.com
• Tel. 775.331.8283 • Fax 775.331.8004 • www.gavazzi-computing.com





Artisan Technology Group is your source for quality new and certified-used/pre-owned equipment

- FAST SHIPPING AND DELIVERY
- TENS OF THOUSANDS OF IN-STOCK ITEMS
- EQUIPMENT DEMOS
- HUNDREDS OF MANUFACTURERS SUPPORTED
- LEASING/MONTHLY RENTALS
- ITAR CERTIFIED SECURE ASSET SOLUTIONS

SERVICE CENTER REPAIRS

Experienced engineers and technicians on staff at our full-service, in-house repair center

*InstraView*SM REMOTE INSPECTION

Remotely inspect equipment before purchasing with our interactive website at www.instraview.com ↗

WE BUY USED EQUIPMENT

Sell your excess, underutilized, and idle used equipment. We also offer credit for buy-backs and trade-ins. www.artisanng.com/WeBuyEquipment ↗

LOOKING FOR MORE INFORMATION?

Visit us on the web at www.artisanng.com ↗ for more information on price quotations, drivers, technical specifications, manuals, and documentation

Contact us: (888) 88-SOURCE | sales@artisanng.com | www.artisanng.com