



## Artisan Technology Group is your source for quality new and certified-used/pre-owned equipment

- FAST SHIPPING AND DELIVERY
- TENS OF THOUSANDS OF IN-STOCK ITEMS
- EQUIPMENT DEMOS
- HUNDREDS OF MANUFACTURERS SUPPORTED
- LEASING/MONTHLY RENTALS
- ITAR CERTIFIED SECURE ASSET SOLUTIONS

### SERVICE CENTER REPAIRS

Experienced engineers and technicians on staff at our full-service, in-house repair center

### *InstraView*<sup>SM</sup> REMOTE INSPECTION

Remotely inspect equipment before purchasing with our interactive website at [www.instraview.com](http://www.instraview.com) ↗

### WE BUY USED EQUIPMENT

Sell your excess, underutilized, and idle used equipment. We also offer credit for buy-backs and trade-ins. [www.artisanng.com/WeBuyEquipment](http://www.artisanng.com/WeBuyEquipment) ↗

### LOOKING FOR MORE INFORMATION?

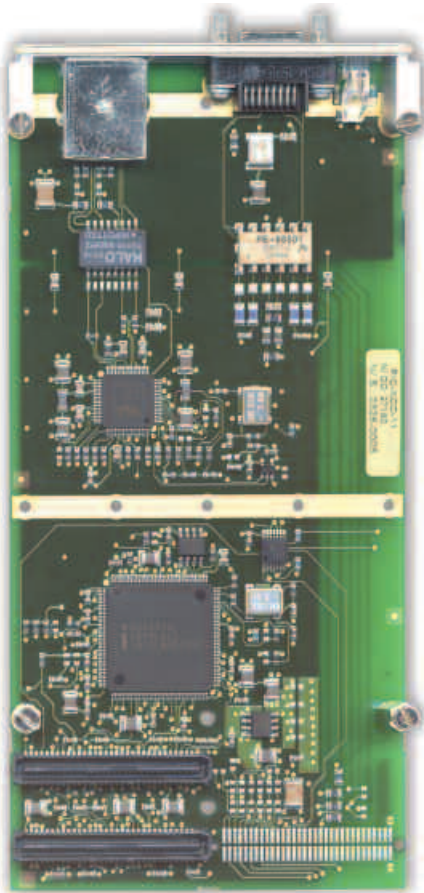
Visit us on the web at [www.artisanng.com](http://www.artisanng.com) ↗ for more information on price quotations, drivers, technical specifications, manuals, and documentation

**Contact us:** (888) 88-SOURCE | [sales@artisanng.com](mailto:sales@artisanng.com) | [www.artisanng.com](http://www.artisanng.com)

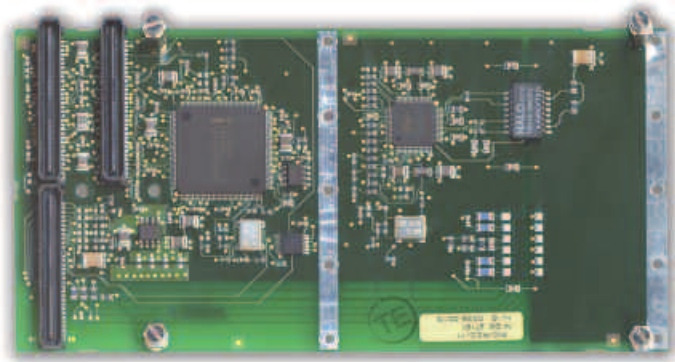
# THALES



## 10/100 Ethernet PCI Mezzanine Card (PMC)



- > 10/100BASE-T interface on low profile RJ-45 jack
- > Ethernet 10BASE-5 (AUI) on Sub-D connector
- > Full duplex Ethernet 10/100BASE-T capability
- > Supports auto-detection between AUI, 10BASE-T and 100BASE-T
- > Supports IEEE 802.3 and ANSI 8802-3 Ethernet standards
- > Rear backplane Ethernet I/O as manufacturing option
- > Single PMC format (149 mm x 74 mm)
- > Fully compliant with Revision 2.1 of the PCI Local Bus Specification



[www.thalescomputers.com](http://www.thalescomputers.com)

# 10/100 Ethernet PCI Mezzanine Card

## Technical Data

### PCI Ethernet Controller:

- > Intel/DEC 21143
- > Network Operation PCI clock from 20 MHz to 33 MHz
- > PCI bus 32 bits/33 MHz, revision 2.1
- > PCI bus 3.3V signaling, 5V tolerant
- > Network interface used: AUI or (exclusive or at any time) MII (10/100BASE-T)

### Ethernet Transceiver: Level One LXT970

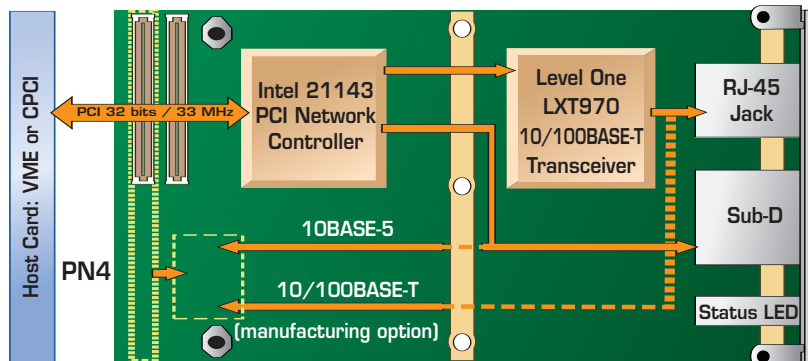
The LXT970 Fast Ethernet transceiver supports IEEE 802.3-compliant Ethernet applications at both 10 and 100 Mb/s operation. It supports both auto-negotiation via Fast Link Pulse exchange and parallel detection for legacy 10BASE-T and 100BASE-TX systems.

### Front Panel I/O:

- > 10/100BASE-T: an on-board low profile RJ-45 jack provides direct attachment to unshielded twisted pair wiring. TIA/EIA-568-A Category 5 UTP is required for IEEE 802.3 100BASE-TX operation but Category 3,4 or 5 UTP is acceptable for 10BASE-T operation.
- > 10BASE-5 (AUI): a Sub-D 15-way connector provides the 10BASE-5 on the front panel. A D-type 15-way AUI standard interface is provided by the use of an additional cable.

### Rear PN4 I/O:

If the host board supports PMI I/O-to-backplane connection, the Ethernet 10BASE-5 or the Ethernet 10/100BASE-T signals can be connected to the PMC I/O connector PN4. These options exclude any I/O on the front panel.



General Architecture of 10/100 Ethernet PMC

Overall Dimensions	
Single PMC	149 x 74 mm - One slot
PCI bus Interface	
	32-bit/33 MHz Revision 2.1 compliant
Power Requirements	
	+5V, -5%, +5% +12V, +2,5%, +5% (for 10BASE-5 only)
Environmental Specifications	
	<b>Operating:</b> 0° to 55°C Ambient <b>Storage:</b> -55° to 85°C
Temperature Range	0° to 55°C Ambient
Recommended Cooling	A linear airflow of not less than 1.2 m/s across the board
Relative Humidity	Up to 90% without condensation (Up to 95% with optional coating)
Thermal Shock	±5°C per minute ± 10°C per minute
Altitude	-300 to +3,000 m / -1,000 to 10,000 ft -300 to 16,000 m / -1,000 to 50,000 ft
Vibration	20 to 500 Hz at 2g acceleration 20 to 500 Hz at 2g acceleration
Shock	10g, 16 ms 20g, 11 ms
<i>when coupled with PowerEngine VMPC and CVME 6xx series</i>	
<i>For extended temperature range and coating option, please contact Thales Computers</i>	
Power Consumption	
Board Status	Transmit and Receive (full speed) 1.5W typical

Hardware	Ordering Code
Ethernet 10BASE-5 and 10/100BASE-T on front panel	CPMC-ETH-XC
Ethernet 10BASE-5 on PN4 PMC I/O connector	CPMC-ETH-XR
Ethernet 10/100BASE-T on PN4 PMC I/O connector	CPMC-ETH-CRC
Ethernet 10/100BASE-T Rugged Air Cooled	PMCETH-RA
Ethernet 10/100BASE-T Rugged Conduction Cooled	PMCETH-RC
Related Products	Ordering Code
Sub-D 15 to AUI cable	CABETH1

Software driver available for:
AIX
LynxOS
VxWorks for Tornado 2 with SENS



With AFAQ ISO 9001 2000 Version Certification, Thales Computers guarantees Total Customer Satisfaction.

### THALES COMPUTERS

Corporate Headquarters: 150 rue Marcellin Berthelot - ZI Toulon-Est - BP 244 - 83078 Toulon Cedex 9 - France

Tel.: +33 (0)4 98 16 34 00 - Fax: +33 (0)4 98 16 34 01

International Sales Department: 18 avenue du Maréchal Juin - 92362 Meudon-la-Forêt Cedex - France - Tel.: +33 (0)1 39 45 59 76 - Fax: +33 (0)1 39 45 58 58

USA Headquarters: 3920 Park Avenue - Edison, NJ 08820 - USA - Tel.: +1 (732) 494 1010 - Fax: +1 (732) 494 1421

United Kingdom: Scudampry Road, Basingstoke, Hants, UK RG24 0BA - Tel: +44 (0)1256 875 624 Fax: +44 (0)1256 875 625

Artisan Technology Group - Quality Instrumentation - Guaranteed 100% SURE - www.artisan-t.com



## Artisan Technology Group is your source for quality new and certified-used/pre-owned equipment

- FAST SHIPPING AND DELIVERY
- TENS OF THOUSANDS OF IN-STOCK ITEMS
- EQUIPMENT DEMOS
- HUNDREDS OF MANUFACTURERS SUPPORTED
- LEASING/MONTHLY RENTALS
- ITAR CERTIFIED SECURE ASSET SOLUTIONS

### SERVICE CENTER REPAIRS

Experienced engineers and technicians on staff at our full-service, in-house repair center

### *InstraView*<sup>SM</sup> REMOTE INSPECTION

Remotely inspect equipment before purchasing with our interactive website at [www.instraview.com](http://www.instraview.com) ↗

### WE BUY USED EQUIPMENT

Sell your excess, underutilized, and idle used equipment. We also offer credit for buy-backs and trade-ins. [www.artisanng.com/WeBuyEquipment](http://www.artisanng.com/WeBuyEquipment) ↗

### LOOKING FOR MORE INFORMATION?

Visit us on the web at [www.artisanng.com](http://www.artisanng.com) ↗ for more information on price quotations, drivers, technical specifications, manuals, and documentation

**Contact us:** (888) 88-SOURCE | [sales@artisanng.com](mailto:sales@artisanng.com) | [www.artisanng.com](http://www.artisanng.com)