



Artisan Technology Group is your source for quality new and certified-used/pre-owned equipment

- FAST SHIPPING AND DELIVERY
- TENS OF THOUSANDS OF IN-STOCK ITEMS
- EQUIPMENT DEMOS
- HUNDREDS OF MANUFACTURERS SUPPORTED
- LEASING/MONTHLY RENTALS
- ITAR CERTIFIED SECURE ASSET SOLUTIONS

SERVICE CENTER REPAIRS

Experienced engineers and technicians on staff at our full-service, in-house repair center

*InstraView*SM REMOTE INSPECTION

Remotely inspect equipment before purchasing with our interactive website at www.instraview.com ↗

WE BUY USED EQUIPMENT

Sell your excess, underutilized, and idle used equipment. We also offer credit for buy-backs and trade-ins. www.artisanng.com/WeBuyEquipment ↗

LOOKING FOR MORE INFORMATION?

Visit us on the web at www.artisanng.com ↗ for more information on price quotations, drivers, technical specifications, manuals, and documentation

Contact us: (888) 88-SOURCE | sales@artisanng.com | www.artisanng.com

U S E R ' S M A N U A L

VXI
24-CHANNEL
1X4 MUX

MODEL
VX415C

Manual Part No: 11027569

COPYRIGHT

C&H Technologies, Inc. (C&H) provides this manual "as is" without warranty of any kind, either expressed or implied, including but not limited to the implied warranties of merchantability and fitness for a particular purpose. C&H may make improvements and/or changes in the product(s) and/or program(s) described in this manual at any time and without notice.

This publication could contain technical inaccuracies or typographical errors. Changes are periodically made to the information herein; these changes will be incorporated in new editions of this publication.

Copyright © 1996 by C&H Technologies, Inc.

The information and/or drawings set forth in this document and all rights in and to inventions disclosed herein which might be granted thereon disclosing or employing the materials, methods, techniques or apparatus described herein, are the exclusive property of C&H Technologies, Inc.

A Reader's Comment Form is provided at the back of this publication. If this form has been removed address comments to:

C&H Technologies, Inc.
Technical Publications
P. O. Box 14765
Austin, Texas 78761-4765

C&H may use or distribute any of the information you supply in any way that it believes appropriate without incurring any obligations whatever.

VME/VXI MODULE WARRANTY

C&H Technologies, Inc. warrants its VME/VXI products to be free from defects in material and workmanship for one year from date of shipment. C&H will repair or replace the defective product without charge within the warranty period, provided the defective item is shipped, freight prepaid, to C&H Technologies, at 15809 Vision Drive, Pflugerville, TX 78660. C&H will pay return freight charges to any point in the continental United States or Canada.

Obligations under this warranty shall be limited to repair or replacement, at C&H's discretion, of any product or part thereof which has been returned by the original purchaser with transportation prepaid and, upon examination by C&H, found to be defective. C&H assumes no responsibility for loss or damage to equipment being returned for repair or replacement under the terms of this warranty. Equipment which, upon examination by C&H, requires repair or replacement of parts thereof as a result of improper installation, misuse, unauthorized alterations or repairs, or user negligence, will have such repairs or replacement of parts made at then current rates.

This warranty does not cover damage caused by misuse, neglect, accident, or improper application or installation. C&H shall not be liable for consequential damages of any kind arising out of the purchase, installation, use or misuse of the product. C&H makes no representation or warranty of any kind, either expressed or implied, with respect to equipment operation or procedures. Any action that the user may take in reliance upon the operation or accuracy of this equipment shall be taken solely at the user's own responsibility and risk.

Please notify the C&H sales department to obtain a Return Authorization Number (RAN) prior to return of a product under the terms of this warranty. Notification is to include the Model and Serial numbers of the product along with full details of the problem. Modules returned should clearly show the RAN on the outside of the package.

AMENDMENT NOTICE

C&H Technologies, Inc. makes every attempt to provide up-to-date manuals with the associated equipment. Occasionally, changes are made to the equipment wherein it is necessary to provide amendments to the manual. If any amendments are provided for this manual they are printed on colored paper and will be provided with the module and manual.

NOTE

The contents of any amendment may affect operation, maintenance, or calibration of the equipment.

INTRODUCTION

This manual describes the operation and use of the C&H Model VX415C VXI 24-Channel 1x4 Multiplexer (Part Number 11027565). This VXI module is one of a number of test and data acquisition/control modules in the VME and VXI format provided by C&H.

Contained within this manual are the physical and electrical specifications, installation and startup procedures, functional description, and configuration and programming guidelines to adequately use the product.

The part numbers covered by this manual are:

<u>Part Number</u>	<u>Description</u>
11027565-0001	VX415C 24-Channel 1x4 Multiplexer

TABLE OF CONTENTS

1.0 GENERAL DESCRIPTION	1
1.1 PURPOSE OF EQUIPMENT.....	1
1.2 SPECIFICATIONS	1
1.2.1 Key Features.....	1
1.2.2 Electrical.....	1
1.2.3 Mechanical.....	1
1.2.4 Environmental.....	2
1.2.5 Bus Compliance	2
2.0 INSTALLATION	3
2.1 UNPACKING AND INSPECTION	3
2.2 HANDLING PRECAUTIONS	3
2.3 INSTALLATION.....	3
2.4 PREPARATION FOR RESHIPMENT.....	3
3.0 FUNCTIONAL DESCRIPTION.....	5
3.1 GENERAL.....	5
3.1.1 VXI Interface.....	5
3.1.2 Data Latches	5
3.1.3 Relay Driver.....	6
3.1.4 Relay Status	6
3.1.5 Relay.....	6
3.1.6 Connector	6
3.2 HARDWARE CONFIGURATION	7
3.3 INDICATORS	8
3.4 CONNECTORS	8
3.4.1 Front Panel Connectors	8
3.4.2 Rear Connectors	8
3.5 CONFIGURATION REGISTERS.....	9
3.5.1 VXI Configuration Registers.....	9
3.5.2 Relay Control/Status Registers	11
4.0 OPERATING INSTRUCTIONS.....	13
APPENDIX A - BOARD LAYOUT	1
.....	1
APPENDIX B - VXI CONNECTORS.....	1
APPENDIX C - RELAY CONNECTORS.....	1

LIST OF FIGURES

Figure 1. Functional Block Diagram	5
Figure 2. Hardware Configurable Controls	7
Figure 3. Front Panel.....	8
Figure 4. VXI Registers	10
Figure 5. Relay Control/Status Registers	12
Figure B-1. P1 Pin Configuration	1
Figure B-2. P2 Pin Configuration	2

LIST OF TABLES

Table I. Relay Specifications.....	2
Table II. Configuration Register Summary.....	9

1.0 GENERAL DESCRIPTION

The VX415C 24-Channel 1x4 Multiplexer is a C size, Register based switching card that provides 24 channels of 1 x 4 multiplex switching.

1.1 PURPOSE OF EQUIPMENT

This module is designed to provide a low cost solution to switching requirements in VXI test or measurement applications. Typical applications include power switching, and low-frequency switching and control.

1.2 SPECIFICATIONS

1.2.1 Key Features

- 96 independently controlled single pole, single throw (SPST) non-latching relays arranged to provide 24 channels of 1 to 4 multiplexing
- Mercury-wetted relays providing fast operation, no contact bounce, low contact resistance, and very long life expectancy
- Read-back of control register state
- Relay contacts are open on power-up or reset

1.2.2 Electrical

The module requires +5V and +12V power from the VXI backplane. The typical (quiescent) module current for the +5 volt supply is TBD amps. The relays require 16 milliamps per closed relay from the +12 volt supply. Detail specifications for the relays is provided in Table I.

1.2.3 Mechanical

The mechanical dimensions of the module are in conformance with the VXI bus specification for single slot Size-C modules. The nominal dimensions are 233.35 mm (9.187 in) high x 340 mm (13.386 in) deep. The module is designed for a mainframe with 30.48 mm (1.2 in) spacing between slots.

NOTE: This module uses mercury-wetted relays, and for proper operation, must be positioned vertical ($\pm 30^\circ$) as indicated on the module's shield.

Table I. Relay Specifications

<u>Ratings For Resistive Loads</u>	<u>Mercury-Wetted Relays</u>
Maximum Power Switched, per relay	50 W (AC or DC)
Maximum Volts Switched	500 VDC
Maximum Current:	
Switched	2.0A (AC _{peak} or DC)
Carry	3.0A (AC _{peak} or DC)
Contact Resistance	0.07Ω (max. initial)
Insulation Resistance	10 ¹⁰ Ω
Relay Life (operations)	
Low Level	10 ⁹ operations
Rated Load	5 × 10 ⁷ operations
Operate Time	1.5 ms (typical)
Release Time	1.0 ms (typical)

1.2.4 Environmental

The environmental specifications of the module are:

Operating Temperature:	0°C to +55°C
Storage Temperature:	-40°C to +75°C
Humidity:	<95% without condensation

1.2.5 Bus Compliance

The module complies with the VXIbus Specification Revision 1.4 for B-size register based modules and with VMEbus Specification ANSI/IEEE STD 1014-1987, IEC 821 and IEC 822.

Module:	C-size, single slot
Device Type:	Register Based
Manufacturer ID:	FC1 ₁₆
Model Code:	FFEF ₁₆
Addressing:	A16
Data Transfer:	D16 Slave
Memory Space:	None
Interrupts:	None
Bus Arbitration:	BRx tied to BGx

2.0 INSTALLATION

2.1 UNPACKING AND INSPECTION

In most cases the VX415C is individually sealed and packaged for shipment. Verify that there has been no damage to the shipping container. If damage exists then the container should be retained as it will provide evidence of carrier caused problems. Such problems should be reported to the carrier immediately as well as to C&H. If there is no damage to the shipping container, carefully remove the module from its box and anti static bag and inspect for any signs of physical damage. If damage exists, report immediately to C&H.

2.2 HANDLING PRECAUTIONS

The VX415C contains components that are sensitive to electrostatic discharge. When handling the module for any reason, do so at a static-controlled workstation, whenever possible. At a minimum, avoid work areas that are potential static sources, such as carpeted areas. Avoid unnecessary contact with the components on the module.

2.3 INSTALLATION

CAUTION: Read the entire User's Manual before proceeding with the installation and application of power.

Set the module's logical address and configure all jumpers as described in 3.2. Insert the module into the appropriate slot according to the desired priority. Apply power. If no obvious problems exist, proceed to communicate with the module as outlined in Section 4.0 (Operating Instructions).

NOTE: This module uses mercury-wetted relays, and for proper operation, must be positioned vertical ($\pm 30^\circ$) as indicated on the module's shield.

2.4 PREPARATION FOR RESHIPMENT

If the module is to be shipped separately it should be enclosed in a suitable water and vapor proof anti static bag. Heat seal or tape the bag to insure a moisture-proof closure. When sealing the bag, keep trapped air volume to a minimum.

The shipping container should be a rigid box of sufficient size and strength to protect the equipment from damage. If the module was received separately from a C&H system, then the original module shipping container and packing material may be re-used if it is still in good condition.

3.0 FUNCTIONAL DESCRIPTION

3.1 GENERAL

VX415C is a general purpose switching module that provides 24 multiplexed switching channels for controlling external devices and routing general purpose signals. The module contains 96 Form-A relays grouped to form 24 channels of 1×4 multiplexing with external access via a front panel connector.

A functional block diagram is shown in Figure 1.

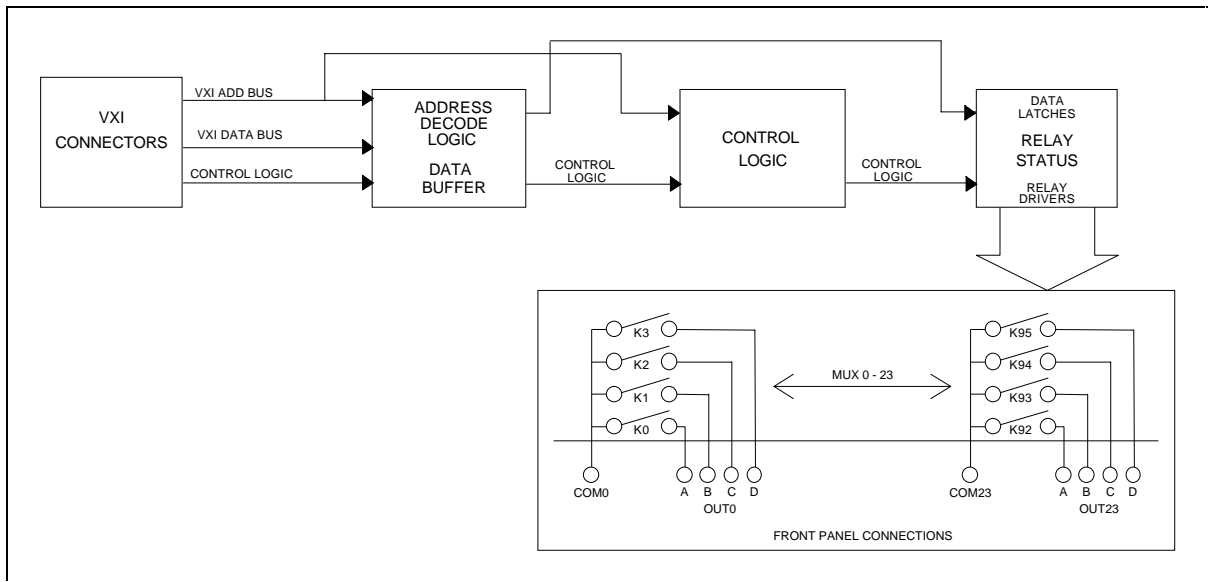


Figure 1. Functional Block Diagram

3.1.1 VXI Interface

The VXI interface, consisting of the VXI connectors, address decode logic, control logic and data buffer, provides the electrical and mechanical connections to the VXI backplane. It performs address decoding and bus buffering functions.

3.1.2 Data Latches

Programming of the module is through direct register access. There are 96 relays on the module which are controlled using the relay control registers. The relay control register receives relay control data from the VXI interface and latches it into registers. Module reset results in these registers being cleared to a low output.

3.1.3 Relay Driver

The relay driver function receives relay control data from the data latch and provides relay coil current control for energizing or de-energizing the relay. A logic high on the input of the relay driver results in a low on its output, thus providing a current through the relay coil, which closes the contact. Module reset results in the output of the relay driver at logic high, thus de-energizing the relay and opening the contact.

3.1.4 Relay Status

This function reports the status of the control state of the Form A relays. A read of the relay status registers allows a verification of the programmed state of the relays.

3.1.5 Relay

The contacts of the relay are routed to corresponding pins on a connector on the front panel, and are available by supplying a mating connector and wiring to an external requirement.

The relay contact closes when the relay has a sufficient current applied across its coil. The relay is in its open state if no current is present on its coil, such as when the module is reset.

3.1.6 Connector

The front panel connectors allow the relay contacts to be connected to an external application. A mating connector must be acquired and wired to the external application.

3.2 HARDWARE CONFIGURATION

Logical Address The logical address has a range of 0 to 255. Any value, except 0 and 255 which are reserved for slot 0 controllers and dynamic addressing, is valid. However, care should be taken not to set the logical address the same as another module in the system. The most significant bit (MSB) has a weighted value of 128 when the switch is in the off (1) position. The least significant bit has a weighted value of 1 when the switch is in the off (1) position. The sum of the weighted values of all the switches in the off position is the module logical address. The switch location is shown in Figure 2.

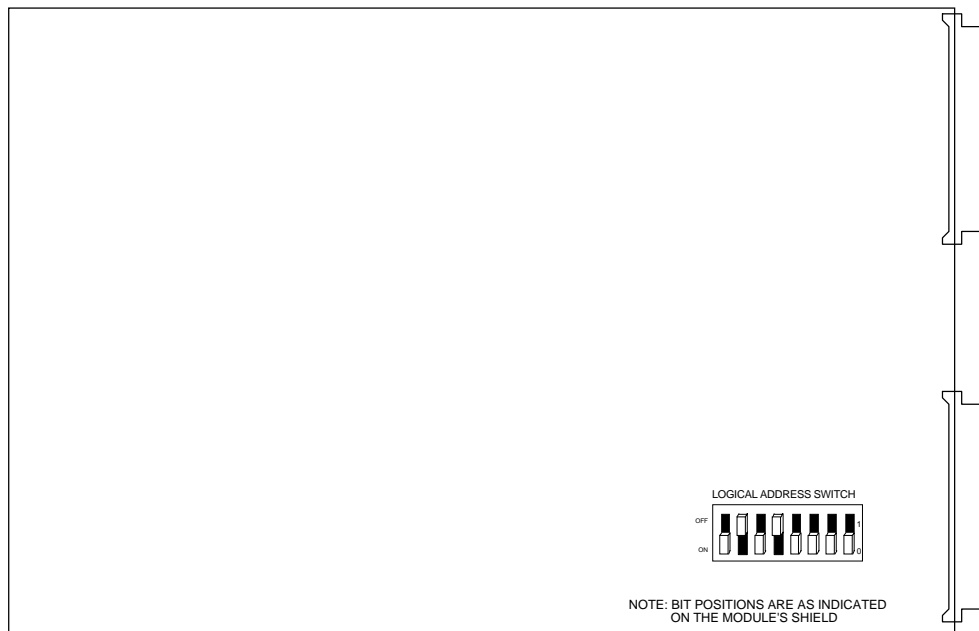


Figure 2. Hardware Configurable Controls

3.3 INDICATORS

Two LED indicators are provided on the front panel. Their functions are described below:

ACCESS This LED illuminates when the module is properly accessed by the host processor.

MODID This LED illuminates when the host processor applies the MODID signal to the slot the module is occupying.

3.4 CONNECTORS

3.4.1 Front Panel Connectors

J1 and J2 are AMP HD-22 78-position receptacle type connectors. The connectors mate with any size 22 subminiature D connectors dimensionally complying with MIL-C-24308. Pin locations are shown in Appendix C.

3.4.2 Rear Connectors

The P1 and P2 connectors are configured in accordance with the VXI specification (See Appendix B).

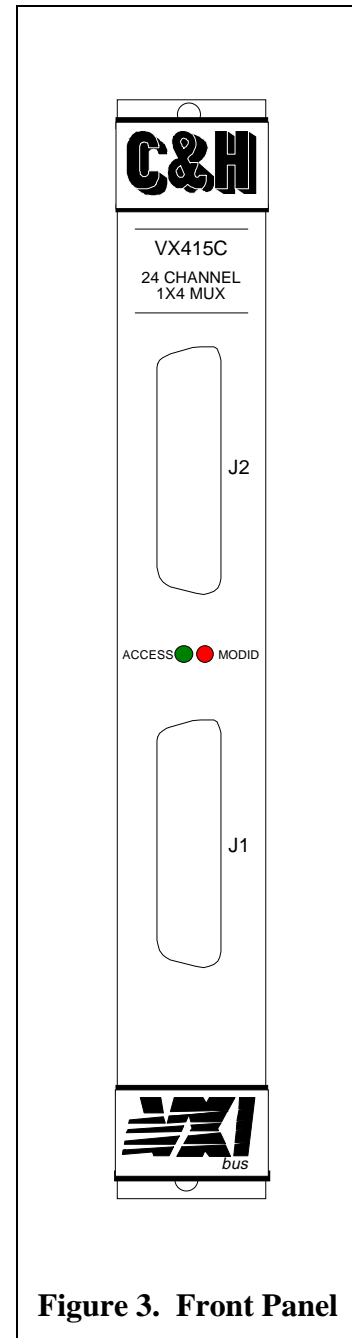


Figure 3. Front Panel

3.5 CONFIGURATION REGISTERS

There are several registers used to configure and control the VX415C. These registers are divided into two groups: VXI Configuration and Relay Control/Status. All of the registers are located within the A16 address space as shown in Table I. The base address of the registers is a function of the Logical Address of the module.

Table II. Configuration Register Summary

A16 Address	Register Description
Base + 00	VXI ID
Base + 02	VXI Device Type
Base + 04	VXI Status/Control
Base + 06	VXI Unused Register
Base + 08 to 0E	Unused
Base + 10	Relay Control/Status K15-K0
Base + 12	Relay Control/Status K31-K16
Base + 14	Relay Control/Status K47-K32
Base + 16	Relay Control/Status K63-K48
Base + 18	Relay Control/Status K79-K64
Base + 1A	Relay Control/Status K95-K80

3.5.1 VXI Configuration Registers

The VXI configuration registers contain basic information needed to configure a VXIbus system. The configuration information includes: manufacturer identification, product model code, device type, memory requirements, device status, and device control. The registers are briefly described below and are detailed in Figure 4.

VXI Identification (ID) Register (00_{16}) A read of this register provides manufacturer identification, device classification (i.e., register based), and the addressing mode (A16). A write to this register has no effect.

VXI Device Type Register (02_{16}) A read of this register provides the model code identifier. A write to this register has no effect.

VXI Status/Control Register (04_{16}) A read of this register provides the state of P2 MODID* line, and the Ready and self-test Passed status. A write to this register controls resetting of the module.

VXI ID

00	Bit	15	14	13	12	11	10	9	8	7	6	5	4	3	2	1	0
Read Only		Device Class		Address Space		Manufacturer ID											

- Device Class ⇔ Device Class (11 = Register Based)
- Address Space ⇔ Address Space (11 = A16 only)
- Manuf. ID ⇔ Manufacturer Identification (C&H Technologies = FC1₁₆)

VXI Device Type

02	Bit	15	14	13	12	11	10	9	8	7	6	5	4	3	2	1	0
Read Only		Model Code															

- Model Code ⇔ Model code (VX415C = FFEF₁₆)

VXI Status/Control

04	Bit	15	14	13	12	11	10	9	8	7	6	5	4	3	2	1	0	
Write		Not Used																RST
Read		AAA	MID	1	1	1	1	1	1	0	0	0	0	RDY	PASS	0	1	

- AAA ⇔ A24/A32 Access (0 = disabled)
- RST ⇔ Reset (A '1' written to this bit resets the module)
- MID ⇔ Module ID Status (0 = P2 MODID* line is selected)
- RDY ⇔ Ready (1 = ready)
- PASS ⇔ Pass/fail indicator (0 = executing or failed, 1 = passed)

Figure 4. VXI Registers

3.5.2 Relay Control/Status Registers

The Relay Control and Status Registers are used for the control and status of relay switch states, as described below.

Relay Control/Status Register K15-K0 (10_{16}) A write to this register controls the state of relays K0 through K15 (0 = open, 1 = close). A read of this register reports the status of the control state of the relays.

Relay Control/Status Register K31-K16 (12_{16}) A write to this register controls the state of relays K16 through K31 (0 = open, 1 = close). A read of this register reports the status of the control state of the relays.

Relay Control/Status Register K47-K32 (14_{16}) A write to this register controls the state of relays K32 through K47 (0 = open, 1 = close). A read of this register reports the status of the control state of the relays.

Relay Control/Status Register K63-K48 (16_{16}) A write to this register controls the state of relays K48 through K63 (0 = open, 1 = close). A read of this register reports the status of the control state of the relays.

Relay Control/Status Register K79-K64 (18_{16}) A write to this register controls the state of relays K64 through K79 (0 = open, 1 = close). A read of this register reports the status of the control state of the relays.

Relay Control/Status Register K95-K80 ($1A_{16}$) A write to this register controls the state of relays K80 through K95 (0 = open, 1 = close). A read of this register reports the status of the control state of the relays.

10	Relay Control/Status K15 - K0															
	MUX3				MUX2				MUX1				MUX0			
Bit	15	14	13	12	11	10	9	8	7	6	5	4	3	2	1	0
Write	K15	K14	K13	K12	K11	K10	K9	K8	K7	K6	K5	K4	K3	K2	K1	K0
Read	K15	K14	K13	K12	K11	K10	K9	K8	K7	K6	K5	K4	K3	K2	K1	K0

0 ⇒ Open
1 ⇒ Closed

12	Relay Control/Status K31 - K16															
	MUX7				MUX6				MUX5				MUX4			
Bit	15	14	13	12	11	10	9	8	7	6	5	4	3	2	1	0
Write	K31	K30	K29	K28	K27	K26	K25	K24	K23	K22	K21	K20	K19	K18	K17	K16
Read	K31	K30	K29	K28	K27	K26	K25	K24	K23	K22	K21	K20	K19	K18	K17	K16

0 ⇒ Open
1 ⇒ Closed

14	Relay Control/Status K47 - K32															
	MUX11				MUX10				MUX9				MUX8			
Bit	15	14	13	12	11	10	9	8	7	6	5	4	3	2	1	0
Write	K47	K46	K45	K44	K43	K42	K41	K40	K39	K38	K37	K36	K35	K34	K33	K32
Read	K47	K46	K45	K44	K43	K42	K41	K40	K39	K38	K37	K36	K35	K34	K33	K32

0 ⇒ Open
1 ⇒ Closed

16	Relay Control/Status K63 - K48															
	MUX15				MUX14				MUX13				MUX12			
Bit	15	14	13	12	11	10	9	8	7	6	5	4	3	2	1	0
Write	K63	K62	K61	K60	K59	K58	K57	K56	K55	K54	K53	K52	K51	K50	K49	K48
Read	K63	K62	K61	K60	K59	K58	K57	K56	K55	K54	K53	K52	K51	K50	K49	K48

0 ⇒ Open
1 ⇒ Closed

18	Relay Control/Status K79 - K64															
	MUX19				MUX18				MUX17				MUX16			
Bit	15	14	13	12	11	10	9	8	7	6	5	4	3	2	1	0
Write	K79	K78	K77	K76	K75	K74	K73	K72	K71	K70	K69	K68	K67	K66	K65	K64
Read	K79	K78	K77	K76	K75	K74	K73	K72	K71	K70	K69	K68	K67	K66	K65	K64

0 ⇒ Open
1 ⇒ Closed

1A	Relay Control/Status K95 - K80															
	MUX23				MUX22				MUX21				MUX20			
Bit	15	14	13	12	11	10	9	8	7	6	5	4	3	2	1	0
Write	K95	K94	K93	K92	K91	K90	K89	K88	K87	K86	K85	K84	K83	K82	K81	K80
Read	K95	K94	K93	K92	K91	K90	K89	K88	K87	K86	K85	K84	K83	K82	K81	K80

0 ⇒ Open
1 ⇒ Closed

Figure 5. Relay Control/Status Registers

4.0 OPERATING INSTRUCTIONS

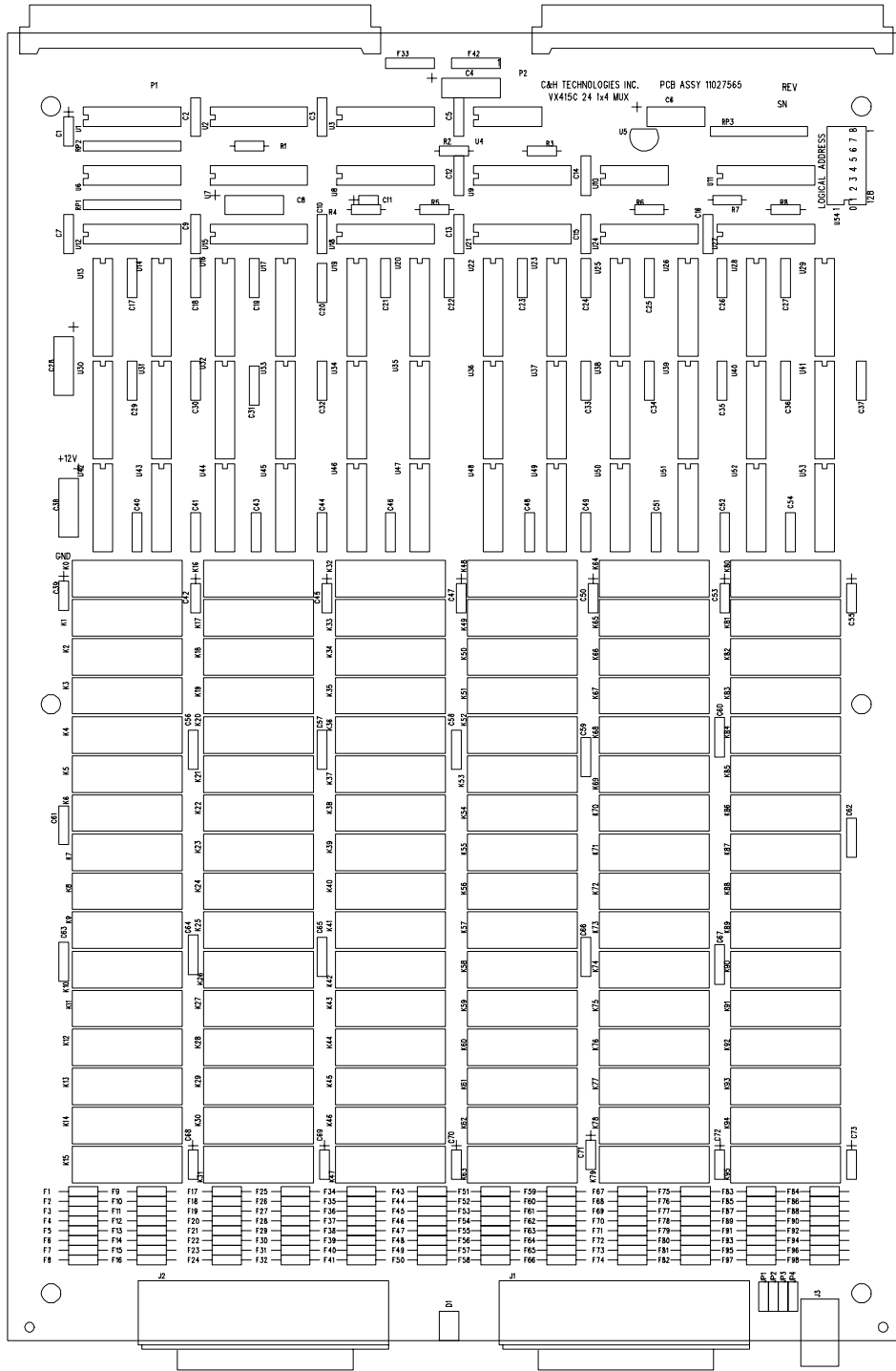
All registers and memory, including the flag bytes are accessed as 16-bit data words on even boundaries. The configuration registers are accessed in the A16 address space. The A16 base address is a function of the logical address of the module. It can be computed as follows:

$$\text{A16 Base Address} = (LA \times 64) + C000_{16}$$

The logical address has a range of 0 to 255. Any value, except 0 and 255 which are reserved for slot 0 controllers and dynamic addressing, is valid. However, care should be taken not to set the logical address the same as another module in the system. The most significant bit (MSB) has a weighted value of 128 when the switch is in the off (1) position. The least significant bit has a weighted value of 1 when the switch is in the off (1) position. The sum of the weighted values of all the switches in the off position is the module logical address.

Relay operation is controlled by writing a '0' or '1' to the corresponding bit in the Relay Control/Status registers detailed in Section 3.5.

APPENDIX A - BOARD LAYOUT



APPENDIX B - VXI CONNECTORS

PIN	C	B	A
1	D08	-	D00
2	D09	-	D01
3	D10	-	D02
4	D11	BG0IN*	D03
5	D12	BG0OUT*	D04
6	D13	BG1IN*	D05
7	D14	BG10UT*	D06
8	D15	BG2IN*	D07
9	GND	BG20UT*	GND
10	-	BG3IN*	-
11	-	BG3OUT*	GND
12	SYSRESET*	-	DS1*
13	LWORD*	-	DS0*
14	AM5	-	WRITE*
15	A23	-	GND
16	A22	AM0	DTACK*
17	A21	AM1	GND
18	A20	AM2	-
19	A19	AM3	GND
20	A18	GND	-
21	A17	-	IACKIN*
22	A16	-	IACKOUT*
23	A15	GND	AM4
24	A14	-	A07
25	A13	-	A06
26	A12	-	A05
27	A11	-	A04
28	A10	-	A03
29	A09	-	A02
30	A08	-	A01
31	+12 V	-	-12 V
32	+5 V	+5 V	+5 V

Figure B-1. P1 Pin Configuration

PIN	C	B	A
1	-	-	-
2	-	-	-
3	-	-	-
4	-	VA24	-
5	-	VA25	-
6	-	VA26	-
7	-	VA27	-
8	-	VA28	-
9	-	VA29	-
10	-	VA30	-
11	-	VA31	-
12	-	GND	-
13	-	-	-
14	-	-	-
15	-	-	-
16	-	-	-
17	-	-	-
18	-	-	-
19	-	-	-
20	-	-	-
21	-	-	-
22	GND	-	GND
23	-	-	-
24	-	-	-
25	-	-	-
26	-	-	-
27	-	-	-
28	-	-	-
29	-	-	-
30	-	-	MODID
31	-	-	-
32	-	-	-

Figure B-2. P2 Pin Configuration

APPENDIX C - RELAY CONNECTORS

RELAY	PIN
COM0	J2-78
K0	J2-58
K1	J2-59
K2	J2-39
K3	J2-20
COM1	J2-76
K4	J2-57
K5	J2-19
K6	J2-38
K7	J2-18
COM2	J2-74
K8	J2-55
K9	J2-17
K10	J2-36
K11	J2-16
COM3	J2-72
K12	J2-53
K13	J2-15
K14	J2-34
K15	J2-14
COM4	J2-65
K16	J2-52
K17	J2-13
K18	J2-32
K19	J2-12
COM5	J2-67
K20	J2-50
K21	J2-11
K22	J2-30
K23	J2-10
COM6	J2-69
K24	J2-48
K25	J2-9
K26	J2-28
K27	J2-8
COM7	J2-71
K28	J2-46
K29	J2-7
K30	J2-45
K31	J2-6

RELAY	PIN
COM8	J2-60
K32	J2-44
K33	J2-5
K34	J2-43
K35	J2-4
COM9	J2-61
K36	J2-42
K37	J2-3
K38	J2-41
K39	J2-2
COM10	J2-62
K40	J2-21
K41	J2-1
K42	J2-40
K43	J2-22
COM11	J2-63
K44	J2-23
K45	J2-24
K46	J2-25
K47	J2-26
COM12	J1-57
K48	J1-54
K49	J1-16
K50	J1-35
K51	J1-17
COM13	J1-56
K52	J1-36
K53	J1-18
K54	J1-37
K55	J1-19
COM14	J1-75
K56	J1-38
K57	J1-20
K58	J1-39
K59	J1-58
COM15	J1-74
K60	J1-59
K61	J1-78
K62	J1-77
K63	J1-76

RELAY	PIN
COM16	J1-73
K64	J1-48
K65	J1-8
K66	J1-28
K67	J1-9
COM17	J1-71
K68	J1-50
K69	J1-10
K70	J1-30
K71	J1-11
COM18	J1-69
K72	J1-52
K73	J1-12
K74	J1-32
K75	J1-13
COM19	J1-67
K76	J1-53
K77	J1-14
K78	J1-34
K79	J1-15
COM20	J1-60
K80	J1-41
K81	J1-40
K82	J1-21
K83	J1-1
COM21	J1-62
K84	J1-42
K85	J1-2
K86	J1-22
K87	J1-3
COM22	J1-64
K88	J1-44
K89	J1-4
K90	J1-24
K91	J1-5
COM23	J1-66
K92	J1-46
K93	J1-6
K94	J1-26
K95	J1-7

NOTES :

READER'S COMMENT FORM

Your comments assist us in improving the usefulness of C&H's publications; they are an important part of the inputs used for revision.

C&H Technologies, Inc. may use and distribute any of the information that you supply in any way that it believes to be appropriate without incurring any obligation whatsoever. You may, of course, continue to use the information which you supply.

Please refrain from using this form for technical questions or for requests for additional publications; this will only delay the response. Instead, please direct your technical questions to your authorized C&H representative.

COMMENTS:

Thank you for helping C&H to deliver the best possible product. Your support is appreciated.

Sincerely,

F.R.Harrison
President and CEO

INSTRUCTIONS

In its continuing effort to improve documentation, C&H Technologies, Inc. provides this form for use in submitting any comments or suggestions that the user may have. This form may be detached, folded along the lines indicated, taped along the loose edge (DO NOT STAPLE), and mailed. Please try to be as specific as possible and reference applicable sections of the manual or drawings if appropriate. Also, indicate if you would like an acknowledgment mailed to you stating whether or not your comments were being incorporated.

NOTE: This form may not be used to request copies of documents or to request waivers, deviations, or clarification of specification requirements on current contracts. Comments submitted on this form do not constitute or imply authorization to waive any portion of the referenced document(s) or to amend contractual requirements.

————— (Fold along this line) —————

————— (Fold along this line) —————

Place Stamp Here

C&H Technologies, Inc.
Technical Publications
P. O. Box 14765
Austin, Texas 78761-4765



Artisan Technology Group is your source for quality new and certified-used/pre-owned equipment

- FAST SHIPPING AND DELIVERY
- TENS OF THOUSANDS OF IN-STOCK ITEMS
- EQUIPMENT DEMOS
- HUNDREDS OF MANUFACTURERS SUPPORTED
- LEASING/MONTHLY RENTALS
- ITAR CERTIFIED SECURE ASSET SOLUTIONS

SERVICE CENTER REPAIRS

Experienced engineers and technicians on staff at our full-service, in-house repair center

*InstraView*SM REMOTE INSPECTION

Remotely inspect equipment before purchasing with our interactive website at www.instraview.com ↗

WE BUY USED EQUIPMENT

Sell your excess, underutilized, and idle used equipment. We also offer credit for buy-backs and trade-ins. www.artisanng.com/WeBuyEquipment ↗

LOOKING FOR MORE INFORMATION?

Visit us on the web at www.artisanng.com ↗ for more information on price quotations, drivers, technical specifications, manuals, and documentation

Contact us: (888) 88-SOURCE | sales@artisanng.com | www.artisanng.com