



## Artisan Technology Group is your source for quality new and certified-used/pre-owned equipment

- FAST SHIPPING AND DELIVERY
- TENS OF THOUSANDS OF IN-STOCK ITEMS
- EQUIPMENT DEMOS
- HUNDREDS OF MANUFACTURERS SUPPORTED
- LEASING/MONTHLY RENTALS
- ITAR CERTIFIED SECURE ASSET SOLUTIONS

### SERVICE CENTER REPAIRS

Experienced engineers and technicians on staff at our full-service, in-house repair center

### *InstraView*<sup>SM</sup> REMOTE INSPECTION

Remotely inspect equipment before purchasing with our interactive website at [www.instraview.com](http://www.instraview.com) ↗

### WE BUY USED EQUIPMENT

Sell your excess, underutilized, and idle used equipment. We also offer credit for buy-backs and trade-ins. [www.artisanng.com/WeBuyEquipment](http://www.artisanng.com/WeBuyEquipment) ↗

### LOOKING FOR MORE INFORMATION?

Visit us on the web at [www.artisanng.com](http://www.artisanng.com) ↗ for more information on price quotations, drivers, technical specifications, manuals, and documentation

**Contact us:** (888) 88-SOURCE | [sales@artisanng.com](mailto:sales@artisanng.com) | [www.artisanng.com](http://www.artisanng.com)

# DPP SERIES

## Mechanical Force Gauge

CHATILLON® ergonomically designed push & pull gauges are ideal for a wide range of force testing applications. The rugged, cast aluminum housing fits naturally in the hand for a comfortable and firm grip even at maximum loads. Gauges may be mounted to a test stand for even greater control and consistent results in repetitive testing applications.

Easy to read concentric dial measures clockwise or counterclockwise depending on the direction of force. Because of the push & pull operation, either end of the gauge may be used for tension or compression. Dial rotates 360-degrees for taring. A maximum reading pointer captures peak readings and can be easily and quickly returned to zero. A mechanical overload feature protects the gauge from damage. Available in oz, lb, g or N units of measure.

DPP Series gauges come complete with protective carrying case and a set of stainless steel attachments.

### FEATURES

- Easy to Use, Rugged Construction
- Intrinsically Safe
- Capacities Up to 50 lbs (25 kg, 250 N)
- True Push & Pull (Not Push or Pull) for Safe Operation
- Tare Ring
- Real Time and Peak Mode

### SPECIFICATIONS

Accuracy:	±1% of Full Scale
Display:	1-3/4 inch (45 mm)
Real/Peak Mode:	Selectable
Overload Capacity:	110% of capacity
Warranty:	2 Years



**SPECIFICATION**  
SS-FM-3101-0801  
August 2001

**Visit Us On The Web**  
[www.chatillon.com](http://www.chatillon.com)  
[www.lloyd-instruments.co.uk](http://www.lloyd-instruments.co.uk)  
[www.davenport.co.uk](http://www.davenport.co.uk)  
[www.ametek.com](http://www.ametek.com)



*Packaging*



*Electronics*



*Food & Beverage*

AMETEK and CHATILLON are registered trademarks of AMETEK, Inc.  
LLOYD INSTRUMENTS is a trademark of AMETEK, Inc.

Copyright 2001, by AMETEK, Inc.  
Printed in U.S.A

**Chatillon**   
A registered trademark of AMETEK Inc.

## ORDERING INFORMATION

(Model Number in **BOLD** followed by capacity x resolution)

OUNCES	
<b>DPP16</b>	16 oz x 1/8 oz
<b>DPP32</b>	32 oz x 1/4 oz
<b>DPP80</b>	80 oz x 1 oz
<b>DPP160</b>	160 oz x 2 oz

POUNDS	
<b>DPP1</b>	1 lb x 0.01 lb
<b>DPP2</b>	2 lb x 0.02 lb
<b>DPP5</b>	5 lb x 0.05 lb
<b>DPP10</b>	10 lb x 0.10lb
<b>DPP25</b>	25 lb x 0.25 lb
<b>DPP30</b>	30 lb x 0.25 lb
<b>DPP50</b>	50 lb x 0.50 lb

KILOGRAMS	
<b>DPP500G</b>	500 g x 5 g
<b>DPP1KG</b>	1 kg x 10 g
<b>DPP2.5KG</b>	2.5 kg x 25 g
<b>DPP5KG</b>	5 kg x 50 g
<b>DPP10KG</b>	10 kg x 100 g
<b>DPP25KG</b>	25 kg x 250 g

NEWTONS	
<b>DPP5N</b>	5 N x 0.05 N
<b>DPP10N</b>	10 N x 0.1 N
<b>DPP25N</b>	25 N x 0.25 N
<b>DPP50N</b>	50 N x 0.5 N
<b>DPP100N</b>	100 N x 1 N
<b>DPP200N</b>	200 N x 2 N

## STANDARD ACCESSORIES

Adapters	Capacity	Availability	Part No.	Notes
Chisel Point, #10-32	50 lbf (225 N)	Standard	SPK-FMG-008A	
Point Adapter, #10-32	50 lbf (225 N)	Standard	SPK-FMG-009A	
Notch Adapter, #10-32	50 lbf (225 N)	Standard	SPK-FMG-010A	
Flat Adapter, #10-32	50 lbf (225 N)	Standard	SPK-FMG-011A	
Hook, #10-32	50 lbf (225 N)	Standard	SPK-FMG-012A	
Hook, Swivel, #10-32	20 lbf (112 N)	Optional	ML3867	
Hook, Swivel, #10-32	100 lbf (500 N)	Optional	ML3850	
Extension Rod, #10-32		Standard	SPK-FMG-013A	
Adapters- Test Stands		Availability	Part No.	Notes
MT Series		Optional	SPK-MT-DPP	
LTS Series		N/A	N/A	Mounts directly to Test Stand
LTC Series		N/A	N/A	Mounts directly to Test Stand
HTC Series		Optional	HTCK-2	
TT Tester		Optional	NC002582	
LTCM-6 Series		Optional	SPK-FM200-019	Standard with Test Stand
TCM201 Series		Optional	SPK-FM200-019	Standard with Test Stand
TCD200 Series		Optional	SPK-FM200-019	Standard with Test Stand
LFPLUS Series				
LRX Series		N/A	N/A	Uses LRX Loadcells only
LRXPLUS Series		N/A	N/A	Uses XLC Loadcells only
LR5KPLUS		N/A	N/A	Uses XLC Loadcells only
Miscellaneous		Availability	Part No.	Notes
Protective Carrying Case		Standard	12128	
Operators' Manual		Standard	NC001810	

## GAUGE ADAPTERS



Chisel Point



Point Adapter



Notch Adapter  
(Only one included with gauge)

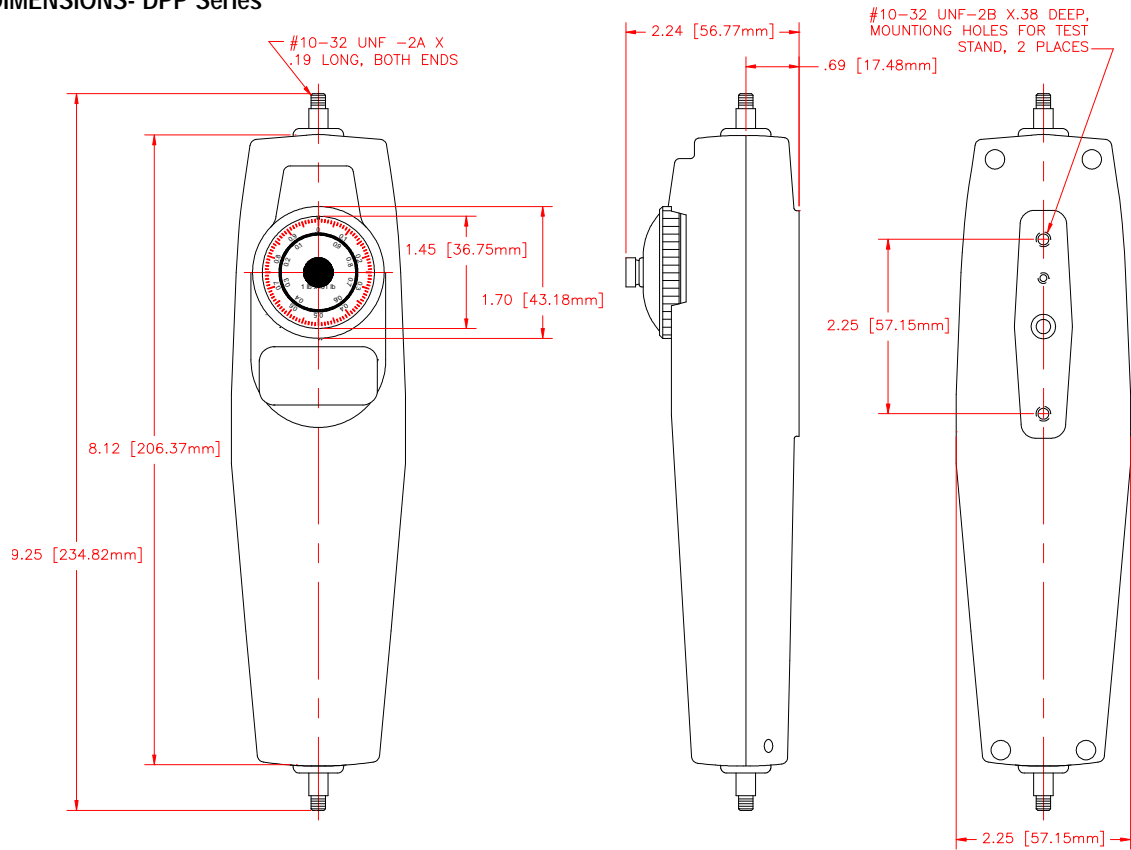


Flat Adapter



Hook  
(Only one included with gauge)

## DIMENSIONS- DPP Series



DPP/MDP\_CASE  
FILE NAME: E96-311.DWG



All DPP Series gauges come with protective carrying case, certificate of calibration, extension rod, point adapter, chisel adapter, flat adapter, notch adapter and hook.

# AMETEK

## TEST AND CALIBRATION INSTRUMENTS

**Americas**  
AMETEK TCI Division  
8600 Somerset Drive  
Largo, Florida 33773  
United States of America  
Tel +1-727-536-7831  
Tel +1-800-527-9999  
Fax +1-727-539-6882  
Email chatillon.fl-lar@ametek.com

**United Kingdom**  
AMETEK Lloyd Instruments Ltd.  
Forum House, 12 Barnes Wallis Rd  
Segensworth East  
Fareham  
Hampshire PO15 5TT  
United Kingdom  
Tel +44-0-1489-574221  
Fax +44-0-1489-885118  
Email general@lloyd-instruments.co.uk

**France**  
AMETEK Lloyd Instruments SA  
3 avenue des Coudriers  
Zone d'Activite de l'Observatoire  
78180 Montigny-Le-Bretonneux  
France  
Tel +33-1-3057-4774  
Fax +33-1-3057-5033  
Email general@lloyd-instruments.co.uk

**Germany**  
AMETEK Precision Instruments  
Europe GmbH  
Rudolf-Diesel-Strasse 16  
D-40670 Meerbusch  
Germany  
Tel +49-0-2159-9136-70  
Fax +49-0-2159-9136-80  
Email apie@ametek.dr

**Singapore**  
AMETEK Singapore Pvt. Ltd.  
10 Ang Mo Kio Street 65  
#05-12 Techpoint  
Singapore 569059  
Tel +65-484-2388  
Fax +65-481-6588  
Email aspi@ametek.com.sg

**Australia**  
AMETEK Lloyd Instruments  
No. 7 Sherwood Place  
Alexander Heights  
6064 Perth  
Australia  
Tel +61-8-9343-5725  
Fax +61-8-9343-5723  
Email general@lloyd-instruments.co.uk

Information within this document is subject to change without notice.

**ISO 9001  
Manufacturer**



## Artisan Technology Group is your source for quality new and certified-used/pre-owned equipment

- FAST SHIPPING AND DELIVERY
- TENS OF THOUSANDS OF IN-STOCK ITEMS
- EQUIPMENT DEMOS
- HUNDREDS OF MANUFACTURERS SUPPORTED
- LEASING/MONTHLY RENTALS
- ITAR CERTIFIED SECURE ASSET SOLUTIONS

### SERVICE CENTER REPAIRS

Experienced engineers and technicians on staff at our full-service, in-house repair center

### *InstraView*<sup>SM</sup> REMOTE INSPECTION

Remotely inspect equipment before purchasing with our interactive website at [www.instraview.com](http://www.instraview.com) ↗

### WE BUY USED EQUIPMENT

Sell your excess, underutilized, and idle used equipment. We also offer credit for buy-backs and trade-ins. [www.artisanng.com/WeBuyEquipment](http://www.artisanng.com/WeBuyEquipment) ↗

### LOOKING FOR MORE INFORMATION?

Visit us on the web at [www.artisanng.com](http://www.artisanng.com) ↗ for more information on price quotations, drivers, technical specifications, manuals, and documentation

**Contact us:** (888) 88-SOURCE | [sales@artisanng.com](mailto:sales@artisanng.com) | [www.artisanng.com](http://www.artisanng.com)