



Artisan Technology Group is your source for quality new and certified-used/pre-owned equipment

- FAST SHIPPING AND DELIVERY
- TENS OF THOUSANDS OF IN-STOCK ITEMS
- EQUIPMENT DEMOS
- HUNDREDS OF MANUFACTURERS SUPPORTED
- LEASING/MONTHLY RENTALS
- ITAR CERTIFIED SECURE ASSET SOLUTIONS

SERVICE CENTER REPAIRS

Experienced engineers and technicians on staff at our full-service, in-house repair center

*InstraView*SM REMOTE INSPECTION

Remotely inspect equipment before purchasing with our interactive website at www.instraview.com ↗

WE BUY USED EQUIPMENT

Sell your excess, underutilized, and idle used equipment. We also offer credit for buy-backs and trade-ins. www.artisanng.com/WeBuyEquipment ↗

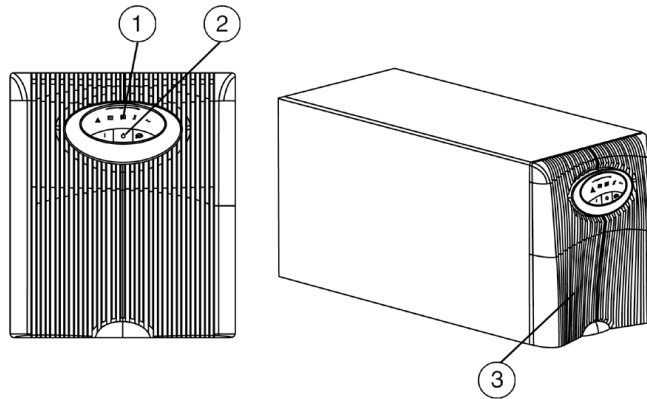
LOOKING FOR MORE INFORMATION?

Visit us on the web at www.artisanng.com ↗ for more information on price quotations, drivers, technical specifications, manuals, and documentation

Contact us: (888) 88-SOURCE | sales@artisanng.com | www.artisanng.com

Overview

The Tower UPS "XR" models are the next generation HP UPSs that support optional Extended Runtime Modules and include the T1000 XR, T1500 XR and T2200 XR models. The HP UPS "XR" models denote "eXtended Runtime Capable" UPS models. Additionally, these UPSs support superior battery management, load segmentation, and option cards. The HP tower UPSs are designed to provide maximum protection for workgroup, departmental, and enterprise server platforms. HP UPSs protect your computer equipment and your critical data against damage due to inconsistent and fluctuating power. They enable you to continue working during sudden brief events of power outage, and automatically save your data, close applications, and stage a systematic shutdown during an extended power outage. Bundled with Power Management Software, the UPSs allow customers to also perform a remote shut down of applications and connected equipment if required.



1. LED Display
2. Button Controls
3. Removable front panel

HP Uninterruptible Power System T1000 XR, T1500 XR and T2200 XR Models	HP UPS T1000 XR	204155-001
	HP UPS T1500 XR	204155-002
	HP UPS T2200 XR Low Voltage	204451-001
	HP UPS T2200 XR High Voltage	204451-002

Related Options	Extended Runtime Module (ERM), T1000 XR	218967-B21
	Extended Runtime Module (ERM), T1500/T2200XR	218969-B21
	Six Port Option Card	192185-B21
	SNMP/Serial Port Card	192189-B21

Key Features

- Ease of configuration via enhanced front panel display.
- Intelligent manageability with bundled Power Management software.
- Greater system uptime with support for Extended Runtime Module (ERM).
- Long-term battery reliability with Enhanced Battery Management.
- Hot-Swappable battery.
- Enhanced system flexibility with independently controllable load segment.
- One option slot that supports HP UPS option cards.
- Backed by a three-year warranty, with the first year including parts and labor. HP Battery Pre-Failure Warranty and a \$25,000 load protection guarantee.

NOTE: Certain restrictions and exclusions apply. Consult the HP Computer Support Center for details.

Product Highlights

Easy Configuration via Enhanced Front Panel Display	The new UPS models have an enhanced front panel display. LED display lights and switch membrane is integrated into the front panel that can be configured through a four button control (three buttons for UPS power control and one button under the front bezel for configuration).
Increased System Uptime with Extended Runtime Modules	The new HP UPS "XR" models support (optional) extended runtime modules that extend your overall runtime.
Investment Protection with Enhanced Battery Management	HP UPSs incorporate Enhanced Battery Management; an exclusive, patented technology that doubles battery service life, optimizes battery recharge time, and provides advance notice of pending battery failure. With Enhanced battery Management, you have a lower overall cost of ownership and receive the best in the industry protection for your critical equipment.
Enhanced System Flexibility with HP Option Cards	<p>HP UPS "XR" models are equipped with a standard serial port via an internal slot. This slot supports two option cards: the Six Port Card and the SNMP/Serial Port Card. These option cards seamlessly integrate into the back of the UPS and provide increased system flexibility.</p> <p>SNMP/Serial Port Card, PN 192189-B21: Ideal for networked environments, this option card enables network administrators to remotely diagnose, monitor and reboot network devices via SNMP.</p> <p>Six Port Card, PN 192185-B21: This option card lets you communicate (via standard DB-9 serial ports) with multiple servers. The maximum number of servers that can be connected using this card depends on the number of load segments available on the UPS. For example, the UPS T2200 XR has 3 load segments, so this card will allow you to serially communicate with up to 3 servers.</p>
Intelligent Manageability	HP UPSs ship with Power Management Software, which enables you to monitor and control HP UPSs locally or remotely. This software is a versatile, fully configurable, alert response tool that gives system administrators a full overview of the network's conditions. It enables you to monitor system status and power conditions, configure shut down timing, customize alert messages, and perform UPS diagnostic checks quickly and easily.
Ease of Maintenance with Hot-Swappable Battery	HP UPSs are designed with hot-swappable batteries. With simple access through the front panel. Users can safely install a new battery without ever powering down connected computer equipment.
Independently Controllable Load Segments	All Tower UPS "XR" models incorporate independently controllable load segments (groups of outlets) that allow for prioritized shutdown of multiple servers. Managed through the Power Management software, each individual load segment can be pre-configured by the system administrator to conduct a prioritized shutdown extending the runtime of your most critical servers. In addition, this feature promotes energy and power conservation by facilitating scheduled shutdown and startups during low usage such as weekends and holidays.
HP Quality	HP hardware qualification is the toughest in the industry. Extensive evaluation, testing, product improvement, and an unsurpassed warranty guarantee the highest level of system protection, electrical performance, product quality and compatibility.

Product Highlights

Warranty

HP UPSs are covered by a three-year warranty, with the first year including parts and labor. Also, standard on all HP UPS units is our exclusive Battery Pre-Failure Warranty, which extends the advantage of a HP three-year, limited warranty by applying it to the battery before it actually fails. This warranty is offered worldwide. Specifically, the Pre-Failure Battery Warranty ensures that when customers receive notification from HP Power Management Software that the battery may fail, the battery is replaced free of charge under the warranty.

NOTE: \$25,000 Computer/Load Protection Guarantee is also provided.

Service and Support, Care Pack and Warranty Information

HP Care Pack Installation

Hardware Installation (Electronic)

U4690E

Care Pack services provide a range of life cycle support options that let you choose the service levels that meet your business requirements, from basic to mission-critical.

A full range of HP Care Pack hardware and software services are available including:

- Installation and start up
- Education courses
- Extended onsite hardware coverage hours from same business day 13 hours, 5 day to 24 hours, 7 days call window with options including 4 hour response or 6-hour Call To Repair
- Comprehensive range of software technical support for Microsoft, Linux, ProLiant Essentials and VMware-based IT solutions helping to deliver high level of application availability. Response times range from 30 mins for critical problems to 2 hours.
- System Management, Performance Services and Mission Critical Support Solution.

NOTE: For more information on HP Care Pack services, contact any of our worldwide sales offices, resellers or visit our worldwide website at: <http://www.hp.com/hps/carepack>

NOTE: For more complete information on HP Services offerings, customers and resellers, please visit is at: <http://www.hp.com/hps>

NOTE: Additional information regarding worldwide limited warranty and technical support is available at:

<http://h18004.www1.hp.com/products/servers/platforms/warranty/index.html>

NOTE: For additional information on Server Services, Rack and Power Options, please visit:

<http://h20219.www2.hp.com/services/cache/111072-0-0-225-121.html>

NOTE: The information contained herein is subject to change without notice and is provided "as is" without warranty of any kind.

NOTE: The warranties for HP products and services are set forth in the express limited warranty statements accompanying such products and services.

Warranty Upgrade Options

- Response – Upgrade on-site response from next business day to same day 4-hours
- Coverage – Extend hours of coverage from 5 days x 9 hours to 7 days x 24 hours
- Duration – Select duration of coverage for a minimum period of 1 year or multiple years

HP Care Pack Information For additional HP Care Pack (hardware & software) information, as well as orderable part numbers, please refer to the URL listed below:

<http://h18005.www1.hp.com/services/carepaq/index.html>

Technical Specifications

UPS T1000 XR Specifications

Low-Voltage Models	T1000 XR	204155-001
	Operating Voltage Settings	120V
	Power Out (VA/Watts)	1000/700
	Input Connection	5-15P (attached cord)
	Output Connection	(6) 5-15R
	Load Segments	2

NOTE: Part Number 204155-001 is user selectable for 110V, or 120V via front panel.

Extended Runtime Module Option	ERM, T1000 XR	218967-B21
	Shipping Dimensions	14.50 x 22.0 x 25.0 in (36.83 x 55.88 x 63.5 cm)
	Shipping Weight	77 lb (35 kg)

Unit Dimensions (WxHxD)	6.37 x 9.50 x 16.2 in (16.18 x 24.13 x 41.15 cm)
Shipping Dimensions	14.50 x 22.0 x 21.0 in (36.83 x 55.88 x 53.34 cm)
Unit Weight	34.45 lb (15.62 kg)
Shipping Weight	43 lb (19.5 kg)

UPS T1500 XR Specifications

Low-Voltage Models	T1500 XR	204155-002
	Operating Voltage Settings	120V
	Power Out (VA/Watts)	1440/1050
	Input Connection	Attached 6' power cord with NEMA 5-15P
	Output Connection	(6) 5-15R
	Load Segments	2

NOTE: Part Number 204155-002 is user selectable for 110V, or 120V via front panel.

Extended Runtime Module Option	ERM, T1000 XR	218967-B21
	Shipping Dimensions	14.50 x 22.0 x 25.0 in (36.83 x 55.88 x 63.5 cm)
	Shipping Weight	77 lb (35 kg)

Unit Dimensions (WxHxD)	6.37 x 9.50 x 18.2 in (16.18 x 24.13 x 46.22 cm)
Shipping Dimensions	14.50 x 22.0 x 25.0 in (36.83 x 55.88 x 63.50 cm)
Unit Weight	54.8 lb (24.8 kg)
Shipping Weight	61 lb (27.6 kg)

Technical Specifications

UPS T2200 XR Specifications

Low-Voltage Models	T2200 XR	204451-001
	Operating Voltage Settings	120V
	Power Out (VA/Watts)	1920/1600
	Input Connection	Attached 6' power cord with NEMA 5-20P
	Output Connection	(6) 5-15R & (2) 5-20R
	Load Segments	2
	NOTE: Part Number 204155-002 is user selectable for 110V, or 120V via front panel.	
Extended Runtime Module Option	ERM, T1500/T2200 XR	218969-B21
	Shipping Dimensions	14.50 x 22.0 x 25.0 in (36.83 x 55.88 x 63.5 cm)
	Shipping Weight	77 lb (35 kg)
Unit Dimensions (WxHxD)	8.1 x 9.50 x 18.8 in (20.6 x 24.13 x 47.8 cm)	
Shipping Dimensions	15.5 x 20.5 x 26.0 in (39.37 x 52.07 x 66.04 cm)	
Unit Weight	70 lb (31.7 kg)	
Shipping Weight	80 lb (36.2 kg)	

HP UPS T1000 XR, T1500 XR, and T2200 XR Specifications

Electrical Input	Voltage Range	100, 120, 208 and 230V models.
	Frequency	See Model Specifications for nominal and user selectable voltage settings
	Connections	50/60 Hz
	Online Efficiency	See Model Selection Matrix 95%
	Surge Suppression	High Energy 6500A peak
Electrical Output	Online Regulation	-30% to +20% of nominal voltage
	On battery Regulation	±5% of nominal voltage
	Voltage Wave Form	Sine wave
	Connections	See Model Specifications
	Output Protection	Re-settable circuit protectors
Battery	Type	Maintenance-free, sealed, valve-regulated lead acid (VRLA)
	Recharge Time	<3 hours to 90% usable capacity; <24 hours for complete recharge
	Battery String Voltage	T1000 XR: 24V (2x12V); T1500 XR: 48V (4X12V); T2200 XR: 48V (4X12V)
	Battery Ampere Hour (ah)	T1000 XR: 9ah; T1500 XR: 7.2ah; T2200 XR: 12ah
Communications	Serial Ports	Standard communication port (ships with communication cable)
	LED Indicators	(11) LED status display with On Line, On Battery, Replace Battery, Overload Indicator, 76% to 100% load, 51% to 75% load, 26% to 50% load, 0% to 25% load, Site Wiring Fault Indicator, General Alarm and Configure Mode On; (4) push button switches for On/Off, Alarm, Standby (turn output segments off), and Configure button
Environmental and Safety	Operating Temperature	50° to 104° F (10° to 40° C)
	Transit and Storage Temperature	5° to 131° F (-15° to 55° C)
	Humidity (Operation)	20% to 80% (non-condensing)

Technical Specifications

Humidity (Non-operating)	5% to 95%
Operating Altitude	Up to 6,562 ft (2000 m) above sea level
Transit and Storage Altitude	Up to 30,000 ft (9,144 m) above sea level
Audible Noise	Less than 53 dBA
Safety Markings	FCS, UL, CSA, VDE, NEMKO, FIMKO, DEMKO, SEMKO, NOM
Safety Certifications	UL1778; CSA22.2
EMC Markings	FCC; CISPR; VCCI; CE
Emissions	FCC CFR 47, Part 15 Class A, EN50091-2
Immunity	IEC 801-2, IEC 801-3, IEC 801-4, IEC 801-5
Surge Suppression	Conforms to IEEE 587B and ANSI C62.41

Estimated Backup Times Chart (In Minutes)

Load (VA)	UPS T1000 XR			UPS T1500 XR			UPS T2200 XR		
	UPS	UPS+1ERM	UPS+2ERM _s	UPS	UPS+1ERM	UPS+2ERM _s	UPS	UPS+1ERM	UPS+2ERM _s
200	35	160	300	60	230	415	44	197	380
250	31	140	276	54	215	390	42	190	364
300	28	124	255	50	196	360	40.5	183	349
350	24	105	234	46	185	335	39	175	330
400	21	90	212	42	170	310	37.5	165	312
450	17.5	75	194	38	155	284	36	160	300
500	14	60	170	34	140	255	35	154	284
550	13	56	155	30	125	228	32	146	269
600	11	52	138	26	110	200	31	139	250
650	9.5	47	120	22	95	174	29	132	235
700	8	43	104	17	79	146	27.5	124	219
750	6.5	38	88	16.5	75	140	26	116	202
800	6	35	70	16	72	132	24	108	185
850	5.75	32	65	15	69	126	21	102	169
900	5.5	30	62	14	65	120	19.5	93	151
950	5.25	27	58	13	61	114	18	86	138
1000	5	25	55	12	59	108	16	79	120
1200				9	44	81	13	56	100
1400				7	37	69	11	49	86
1500				6.5	33	63	9.5	42	75
1800							6	36	60
2000							5.5	31	51
2200							5	26	45

NOTE: Backup times are estimated for typical applications. Actual performance will depend on load and battery conditions.

Compatibility Compatible with all HP computer systems and servers ranging from individual workstations to distributed enterprise and other HP equipment (in tower form factor).



Technical Specifications

© Copyright 2005 Hewlett-Packard Development Company, L.P.
The information contained herein is subject to change without notice.

Microsoft and Windows NT are US registered trademarks of Microsoft Corporation. Intel is a US registered trademark of Intel Corporation. Unix is a registered trademark of The Open Group.

The only warranties for HP products and services are set forth in the express warranty statements accompanying such products and services. Nothing herein should be construed as constituting an additional warranty. HP shall not be liable for technical or editorial errors or omissions contained herein.



Artisan Technology Group is your source for quality new and certified-used/pre-owned equipment

- FAST SHIPPING AND DELIVERY
- TENS OF THOUSANDS OF IN-STOCK ITEMS
- EQUIPMENT DEMOS
- HUNDREDS OF MANUFACTURERS SUPPORTED
- LEASING/MONTHLY RENTALS
- ITAR CERTIFIED SECURE ASSET SOLUTIONS

SERVICE CENTER REPAIRS

Experienced engineers and technicians on staff at our full-service, in-house repair center

*InstraView*SM REMOTE INSPECTION

Remotely inspect equipment before purchasing with our interactive website at www.instraview.com ↗

WE BUY USED EQUIPMENT

Sell your excess, underutilized, and idle used equipment. We also offer credit for buy-backs and trade-ins. www.artisanng.com/WeBuyEquipment ↗

LOOKING FOR MORE INFORMATION?

Visit us on the web at www.artisanng.com ↗ for more information on price quotations, drivers, technical specifications, manuals, and documentation

Contact us: (888) 88-SOURCE | sales@artisanng.com | www.artisanng.com