



## Artisan Technology Group is your source for quality new and certified-used/pre-owned equipment

- FAST SHIPPING AND DELIVERY
- TENS OF THOUSANDS OF IN-STOCK ITEMS
- EQUIPMENT DEMOS
- HUNDREDS OF MANUFACTURERS SUPPORTED
- LEASING/MONTHLY RENTALS
- ITAR CERTIFIED SECURE ASSET SOLUTIONS

### SERVICE CENTER REPAIRS

Experienced engineers and technicians on staff at our full-service, in-house repair center

### *InstraView*<sup>SM</sup> REMOTE INSPECTION

Remotely inspect equipment before purchasing with our interactive website at [www.instraview.com](http://www.instraview.com) ↗

### WE BUY USED EQUIPMENT

Sell your excess, underutilized, and idle used equipment. We also offer credit for buy-backs and trade-ins. [www.artisanng.com/WeBuyEquipment](http://www.artisanng.com/WeBuyEquipment) ↗

### LOOKING FOR MORE INFORMATION?

Visit us on the web at [www.artisanng.com](http://www.artisanng.com) ↗ for more information on price quotations, drivers, technical specifications, manuals, and documentation

**Contact us:** (888) 88-SOURCE | [sales@artisanng.com](mailto:sales@artisanng.com) | [www.artisanng.com](http://www.artisanng.com)



## Pressure switch MDR 2



- Single phase
- Switching capacity 2.2 kW
- Max. cut-out pressure 12 bar
- 2-pole (N.C.)
- Acc. to EN 60947

Order reference	Type code	ON / OFF Rotary knob	Pressure range P <sub>OFF</sub> in bar	Flange	Weight (in g)	Part No.
MDR 2/6-EA	MDR-2 DBA AAAAA 015A030 XAA XXX	EA	1,5 - 7	1/4"	300	212164
MDR 2/11-EA	MDR-2 GBA AAAAA 070A090 XAA XXX	EA	4 - 12	1/4"	300	212171
MDR 2/11-EA	MDR-2 GEA AAAAA 070A090 XAA XXX	EA	4 - 12	F4 1/4"	320	212188
MDR 2/11-EA	MDR-2 GFA AAAAA 070A090 XAA XXX	EA	4 - 12	F4 3/8"	320	212195
MDR 2/11-EA	MDR-2 GDA AAAAA 070A090 XAA XXX	EA	4 - 12	F4 1/2"	320	212201
MDR 2/6	MDR-2 DBA BAAA 015A030 XAA XXX	-	1,5 - 7	1/4"	300	217381
MDR 2/11	MDR-2 GBA BAAA 070A090 XAA XXX	-	4 - 12	1/4"	300	217404
MDR 2/11	MDR-2 GEA BAAA 070A090 XAA XXX	-	4 - 12	F4 1/4"	320	219408
MDR 2/11	MDR-2 GFA BAAA 070A090 XAA XXX	-	4 - 12	F4 3/8"	320	226888
MDR 2/11	MDR-2 GDA BAAA 070A090 XAA XXX	-	4 - 12	F4 1/2"	320	226895

Unloader valves and cable glands for retrofitting, see accessories!

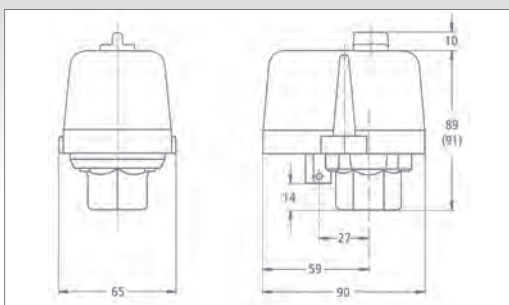
Technical Data MDR 2 acc. to 60947	
Rated insulation voltage U <sub>i</sub>	500 V
Motor switching capacity (AC 3) U <sub>e</sub> =240 V (1~)	2,2 kW
Electrical life (AC 3) Cycles	> 1 x 10 <sup>5</sup>
Mechanical life Cycles	> 5 x 10 <sup>5</sup>
Max. electrical cycles Cycles/h	120
Max. mechanical cycles Cycles/h	600
Rated operational current I <sub>e</sub> at 240 V AC 3	16 A
Bursting strength P <sub>z</sub>	> 35 bar
Permissible medium temperature Air	- 5...+ 80 °C

Technical Data MDR 2 acc. to 60947	
Permissible medium temperature Water	+ 80 °C
Degree of Protection acc. to EN 60529	IP 44
Conductor cross-section 1 .. fine stranded cable 1 x / 2 x	2,5 / 2,5 mm <sup>2</sup>
Conductor cross-section 1 rigid cable 1 x / 2 x	2,5 / 2,5 mm <sup>2</sup>

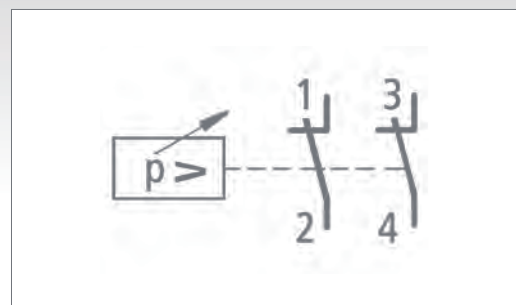
Diaphragm media resistance MDR 2	
Air, Water	resistant

A detailed overview of diaphragm media resistance for all pressure switches can be found on page 22..

## Dimensions / Circuit Diagrams MDR 2



Pressure switch MDR-2



## Accessories MDR 2

Order reference	Description	Weight (in g)	Part No
<b>Unloader valves</b>			
EV 2	With screw connection for 6 mm plastic or copper discharge tubes	25	200666
EV 2S*	With quick-connect for 6 mm plastic discharge tubes	25	200680
EV 2W	90° with screw connection for 6 mm plastic or discharge copper tubes	25	200697
EV 2Wi	90° with screw connection for 1/4" mm plastic or discharge copper tubes	15	200703
EV 2WS*	90° with quick-connect for 6 mm plastic discharge tubes	15	200710
<b>Delayed unloader valves</b>			
AEV 2	With screw connection for 6 mm plastic or copper discharge tubes	25	200727
AEV 2S*	With quick-connect for 6 mm plastic discharge tubes	25	200741
AEV 2W	90° with screw connection for 6 mm plastic or copper discharge tubes	15	200758
AEV 2Wi	90° with screw connection for 1/4" mm plastic or copper discharge tubes	15	200765
AEV 2WS*	90° with quick-connect for 6 mm plastic discharge tubes	15	200772
<b>Cable glands</b>			
WN	Grommet	6	200888
PG 11 G	Conduits for mounting of cable glands (Inner thread)	6	200895
PG 11 V	Cable gland complete	12	200901
PG 11 Z	With strain relief	12	200925
PG 11 ZK	With strain relief and cable support	12	200918
PG 13,5 G	Conduits for mounting of cable glands (Inner thread)	6	200963
PG 13,5 V	Cable gland complete	12	200932
PG 13,5 Z	With strain relief	12	200956
PG 13,5 ZK	With strain relief and cable support	12	200949
<b>Cover</b>			
H2 (Cover MDR 2)	Cover without On/Off lever (Neutral version without marking)	40	217510
H2-EA (Cover MDR 2+EA)	Cover with On/Off lever for manual On/Off (neutral version, without marking)	40	229445

\*only for pneumatic tubes with outside tolerances according to e. g. Festo PAN 6x1mm

## Unloader valves / Delayed unloader valves



## Cable glands MDR 2



WN

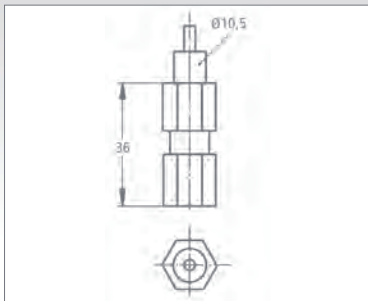
PG..G

PG..V

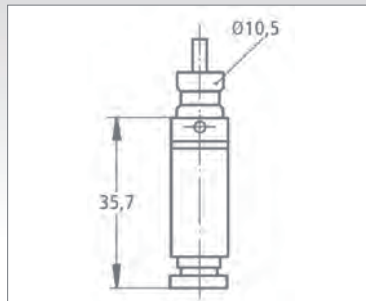
PG..Z

PG..ZK

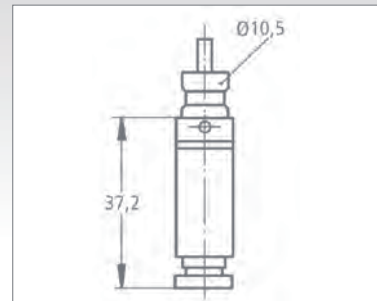
## Dimensions, Accessories MDR 2



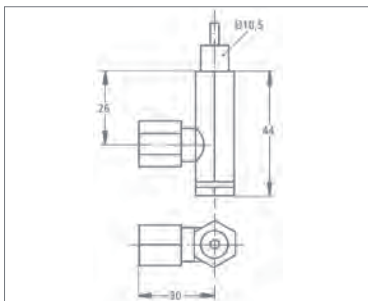
EV 2



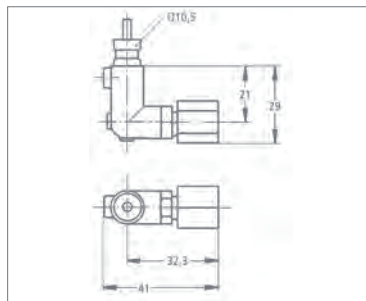
EV 2S



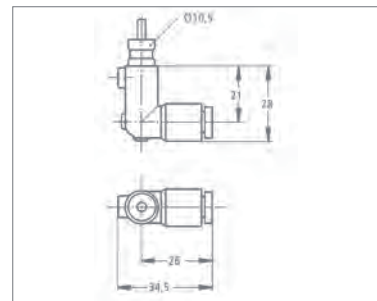
AEV 2S



AEV 2

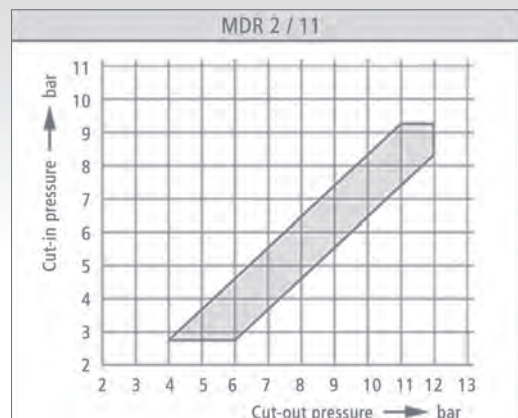
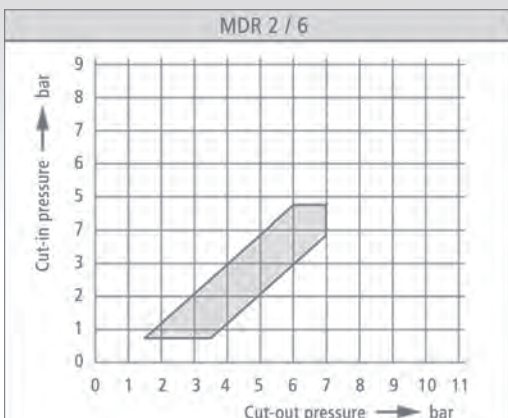


EV 2W / EV 2Wi  
AEV 2W / AEV 2Wi



EV 2WS /  
AEV 2WS

## Pressure Diagrams





## Artisan Technology Group is your source for quality new and certified-used/pre-owned equipment

- FAST SHIPPING AND DELIVERY
- TENS OF THOUSANDS OF IN-STOCK ITEMS
- EQUIPMENT DEMOS
- HUNDREDS OF MANUFACTURERS SUPPORTED
- LEASING/MONTHLY RENTALS
- ITAR CERTIFIED SECURE ASSET SOLUTIONS

### SERVICE CENTER REPAIRS

Experienced engineers and technicians on staff at our full-service, in-house repair center

### *InstraView*<sup>SM</sup> REMOTE INSPECTION

Remotely inspect equipment before purchasing with our interactive website at [www.instraview.com](http://www.instraview.com) ↗

### WE BUY USED EQUIPMENT

Sell your excess, underutilized, and idle used equipment. We also offer credit for buy-backs and trade-ins. [www.artisanng.com/WeBuyEquipment](http://www.artisanng.com/WeBuyEquipment) ↗

### LOOKING FOR MORE INFORMATION?

Visit us on the web at [www.artisanng.com](http://www.artisanng.com) ↗ for more information on price quotations, drivers, technical specifications, manuals, and documentation

**Contact us:** (888) 88-SOURCE | [sales@artisanng.com](mailto:sales@artisanng.com) | [www.artisanng.com](http://www.artisanng.com)