



Artisan Technology Group is your source for quality new and certified-used/pre-owned equipment

- FAST SHIPPING AND DELIVERY
- TENS OF THOUSANDS OF IN-STOCK ITEMS
- EQUIPMENT DEMOS
- HUNDREDS OF MANUFACTURERS SUPPORTED
- LEASING/MONTHLY RENTALS
- ITAR CERTIFIED SECURE ASSET SOLUTIONS

SERVICE CENTER REPAIRS

Experienced engineers and technicians on staff at our full-service, in-house repair center

*InstraView*SM REMOTE INSPECTION

Remotely inspect equipment before purchasing with our interactive website at www.instraview.com ↗

WE BUY USED EQUIPMENT

Sell your excess, underutilized, and idle used equipment. We also offer credit for buy-backs and trade-ins. www.artisanng.com/WeBuyEquipment ↗

LOOKING FOR MORE INFORMATION?

Visit us on the web at www.artisanng.com ↗ for more information on price quotations, drivers, technical specifications, manuals, and documentation

Contact us: (888) 88-SOURCE | sales@artisanng.com | www.artisanng.com

DS2200

Ultra Compact Laser Scanner

DATALOGIC™



Compact Dimensions

**500
scans/s**

150 g

Lightweight



WINNHOST™



Unattended Scanning Systems

General Description

Ultra compact dimensions, high performance, versatile connectivity and programmability make the DS2200 the ideal component for OEM and other applications where integration capability and high reliability are essential and cost effectiveness is a key element.

Datalogic's advanced technology and experience in miniaturized laser components has allowed the development of one of the most compact industrial laser scanners on the market without compromising reading performance and industrial quality standards.

The DS2200's high scanning speed and optical quality, together with the new generation real time decoder and flexible decoding software provide high decoding performance and reliability for the most popular bar code symbolologies, as well as on damaged or poorly printed bar codes.

Integration into automated equipment is extremely easy thanks to the DS2200's miniature dimensions and its light weight. The dual serial interface increases the device's versatility and connectivity, allowing multi-point scanning configurations through Master-Slave or Multiplexer connections. User friendly set-up procedures are performed through the easy and intuitive WINNHOST™ software. The DS2200-2xxx models also provide excellent performance on very high density codes.

DS2200 represents Datalogic's response to the high technological needs of OEMs requiring extremely compact and cost effective components for integration into their automatic equipment. Thanks to Datalogic's recognized high quality standards, system manufacturers can be confident that the scanners installed in their machines will improve overall system performance and reliability.

Features

- > Ultra compact dimensions
50 x 40 x 28 mm (1.97x1.57x1.10 in)
- > Lightweight: 150 g (5.29 oz)
- > New generation built-in real time RISC decoder
- > Scanning speed of 500 scans/sec
- > Very high density code reading
(up to 0.076 mm / 3 mils)
- > Dual serial interface
- > Easy set up through WINNHOST™
- > IP65 rugged industrial housing

Applications

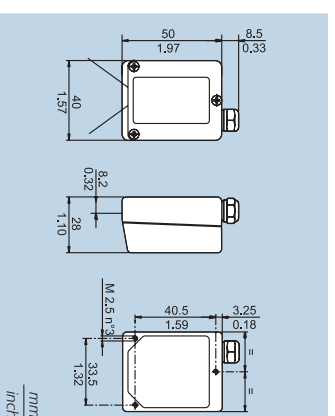
- > Automatic machines
- > Chemical and biomedical analyzers
- > Document handling machines
- > Printing verification
- > Film processing machines
- > Packaging machines

DS2200

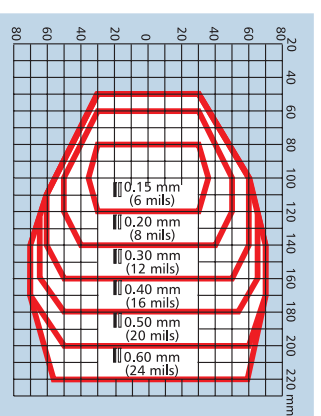
Ultra compact laser scanner

Specifications

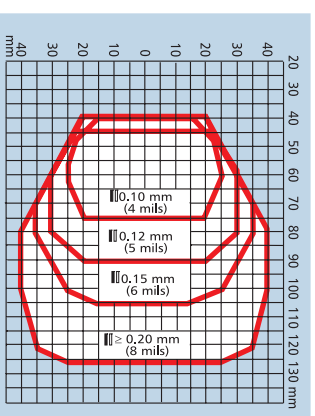
Dimensions



Reading Diagrams



Standard Resolution Models



High Resolution Models

ELECTRICAL CHARACTERISTICS	
POWER SUPPLY	5 VDC ± 5% (4 to 30 VDC with converter)
POWER CONSUMPTION	2 W
MECHANICAL CHARACTERISTICS	
DIMENSIONS	50 x 40 x 28 mm (1.97 x 1.57 x 1.10 in)
WEIGHT (without cable)	150 g (5.29 oz)
CASE MATERIAL	Die-cast zinc
PERFORMANCE	
LIGHT SOURCE	Visible laser diode (650 nm)
MAX. RESOLUTION	0.15 mm (6 mils) for standard resolution models 0.076 mm (3 mils) for high resolution models
SCANNING SPEED	500 scans/sec
MAX. READING DISTANCE	220 mm (on 0.60 mm/24 mils codes) for standard resolution models 125mm (on 0.20 mm/8 mils codes) for high resolution models
MAX. DEPTH OF FIELD	170 mm (on 0.60 mm/24 mils codes) for standard resolution models 85 mm (on 0.20 mm/8 mils codes) for high resolution models
APERTURE ANGLE	52 degrees for standard resolution models 62 degrees for high resolution models
RASTER APERTURE	15 mm (0.6 in) at 220 mm (8.7 in) for raster models
READABLE CODES	Code 2/5, Code 39, Code 93, Code 128, EAN/UJPC, EAN128, Codabar, Pharmacode
MULTILABEL READING	Up to 6 different codes in the same presence sensor phase
COMMUNICATION INTERFACE	Dual serial interface (RS232 + RS485 half duplex)
BAUD RATE	Up to 115.2 Kbauds
INPUT SIGNALS	One external trigger digital input
OUTPUT SIGNALS	Two programmable digital outputs
PROGRAMMING METHOD	Via serial port (WINHOST™)
OPERATING MODES	'On line,' 'Serial On-line,' 'Automatic,' 'Test,' 'Verifier'
LED INDICATORS	'Power On,' 'External Trigger,' 'Good Read,' 'TX Data'
LASER CLASSIFICATION	IEC 825 Class 2
LASER CONTROL	Security system to turn laser off in case of motor slow down or failure
ENVIRONMENT	
OPERATING TEMPERATURE	0 to 40 °C (32 to 104 °F)
STORAGE TEMPERATURE	-20 to 70 °C (-4 to 158 °F)
HUMIDITY	90% non condensing
VIBRATION RESISTANCE	IEC 68-2-6 test FC, 1.5 mm; 10 to 55 Hz; 2 hours on each axis
SHOCK RESISTANCE	IEC 68-2-27 test EA 30 G; 1 ms; 3 shocks on each axis
PROTECTION CLASS	IP65



DATALOGIC™

www.automation.datalogic.com

Product and Company names and logos referenced may be either trademarks or registered trademarks of their respective companies.
We reserve the right to make modifications and improvements.



Printed in Italy October 2007



9C0003110



Artisan Technology Group is your source for quality new and certified-used/pre-owned equipment

- FAST SHIPPING AND DELIVERY
- TENS OF THOUSANDS OF IN-STOCK ITEMS
- EQUIPMENT DEMOS
- HUNDREDS OF MANUFACTURERS SUPPORTED
- LEASING/MONTHLY RENTALS
- ITAR CERTIFIED SECURE ASSET SOLUTIONS

SERVICE CENTER REPAIRS

Experienced engineers and technicians on staff at our full-service, in-house repair center

*InstraView*SM REMOTE INSPECTION

Remotely inspect equipment before purchasing with our interactive website at www.instraview.com ↗

WE BUY USED EQUIPMENT

Sell your excess, underutilized, and idle used equipment. We also offer credit for buy-backs and trade-ins. www.artisanng.com/WeBuyEquipment ↗

LOOKING FOR MORE INFORMATION?

Visit us on the web at www.artisanng.com ↗ for more information on price quotations, drivers, technical specifications, manuals, and documentation

Contact us: (888) 88-SOURCE | sales@artisanng.com | www.artisanng.com