



Artisan Technology Group is your source for quality new and certified-used/pre-owned equipment

- FAST SHIPPING AND DELIVERY
- TENS OF THOUSANDS OF IN-STOCK ITEMS
- EQUIPMENT DEMOS
- HUNDREDS OF MANUFACTURERS SUPPORTED
- LEASING/MONTHLY RENTALS
- ITAR CERTIFIED SECURE ASSET SOLUTIONS

SERVICE CENTER REPAIRS

Experienced engineers and technicians on staff at our full-service, in-house repair center

*InstraView*SM REMOTE INSPECTION

Remotely inspect equipment before purchasing with our interactive website at www.instraview.com ↗

WE BUY USED EQUIPMENT

Sell your excess, underutilized, and idle used equipment. We also offer credit for buy-backs and trade-ins. www.artisanng.com/WeBuyEquipment ↗

LOOKING FOR MORE INFORMATION?

Visit us on the web at www.artisanng.com ↗ for more information on price quotations, drivers, technical specifications, manuals, and documentation

Contact us: (888) 88-SOURCE | sales@artisanng.com | www.artisanng.com



Last Time Buy Notice – Board Products

November 7, 2003

Effective immediately, DATEL, Inc. will be phasing out its line of board-level data acquisition products. We will accept last time buy orders until **February 28, 2004**. Final shipments must be accepted by **June 31, 2004**. In addition, all repairs and technical support must be concluded by **September 30, 2004**. Please contact DATEL Sales as soon as practical to schedule your order.

If this Notice is received by Purchasing, Materiel or Procurement personnel, we strongly encourage you to forward this to your Engineering, Administrative and Program colleagues as soon as practical.

Models to be Discontinued - Essentially *all* DATEL board-level data acquisition products, all board-level accessories and all board software are covered in this Notice. This includes:

- All **ST-xxx** model numbers (Multibus I boards, example ST-711)
- All **PC-xxx** model numbers (ISA bus boards, example PC-414)
- All **DVME-xxx** model numbers (VME bus boards, example DVME-628)
- All **CPCI-xxx** model numbers (Compact PCI bus boards, example CPCI-511)
- All **PCI-xxx** model numbers (PCI bus boards, example PCI-416)

Please note that many older ST-xxx, DVME-xxx and PC-xxx boards are already on very limited availability due to component obsolescence and other manufacturing issues.

Last Time Orders - Customers should contact the DATEL Sales Dept. (Mansfield, MA, USA) directly to place orders and negotiate delivery schedules. Some products may require minimum order quantities and/or extended delivery. This varies over time so it is difficult to give an exact list of such products.

To assure supply, *we encourage customers to accept deliveries as soon as practical*. As time passes, customers risk non-availability of an increasing number of products. After the customer accepts final order acknowledgement, all orders placed will be firm and non-cancellable.

Warranty - DATEL's standard warranty terms apply *except the warranty period*. As the date of last shipments approach, warranty support and repairs will terminate on **September 30, 2004**. Customers must immediately perform a functional inspection on any shipments near this date. DATEL will have no technical or repair facilities after this date.

Technical Support - Since some DATEL engineering resources have already been reallocated, support and repairs are currently limited and more will be withdrawn over time. We encourage users to get all support issues settled as soon as practical.

Replacement Products - DATEL is not aware of any competitive manufactured products which are *exact* replacements for these products. However, there are numerous items with similar functions. These will require re-integration with your application.

Manufacturing Rights - DATEL is not offering manufacturing rights on these products. The difficulty here is the complexity of technical support to fully transfer all comprehensive details of manufacturing (including test fixturing, component specifications and device programming). Most of these products would require considerable re-engineering by the user to resume production outside DATEL. Nor will we retain spare parts after September 30, 2004. Volume users should contact DATEL to discuss their needs.

As very large volume component users ourselves who are subject to frequent component obsolescence issues, DATEL sincerely regrets any inconvenience this Notice may cause our customers.

11 Cabot Blvd, Mansfield, MA, 02048 USA, website: www.datel.com
Phone: 508-339-3000 FAX: 508-339-6356 E-mail: SALES@DATEL.COM

High-Speed, Analog Input Board for VMEbus Computers

FEATURES

- Up to 10 MHz sample rate
- Choice of 12, 14, or 16-bit A/D resolution
- Very low harmonic distortion
- Optional 2, 4, 8 or 16-channel simultaneous sampling
- On-board FIFO memory for up to 16,384 samples
- Ideal for FFT's, DSP or array-processor "front ends"
- Non-bus burst parallel port for seamless, non-stop recording
- Analog input comparator trigger

NEW
Up to 16 simultaneous channels



Offering very high system speed, the DVME-614 is a multichannel analog input board for VMEbus computers. Maximum input bandwidth is available up to 5 MHz and may be sampled at up to 10 MHz. A common mother board is used, with the analog section contained in a pluggable 2" by 4" module. This allows for a family of several different Sample/ Hold - A/D converter speed and resolution options by exchanging analog modules.

The analog input ranges of the A/D converters are selectable as unipolar 0 to +10 V, or bipolar ± 5 V or ± 10 V depending on the model. The DVME-614E offers 16 single-ended or 8 differential high speed channels.

The DVME-614F, G, J, K, L, M, N, and P include simultaneous sample and hold circuitry. This function acquires signals on all channels at the same time. This protects against phase errors and negates channel to channel sample time skew.

Applications include high speed cross-channel computation, beam-former coherency for sonar or acoustics, telemetry,

multiple carrier demodulation, wear testing, vibration analysis, ultrasound and highly concurrent system testing.

A/D data passes to an on-board First-In, First-Out, (FIFO) data memory and then to the host computer bus interface under software control. This design can continuously collect analog data with non-stop converter triggering while data is simultaneously read from the FIFO. The FIFO acts to decouple the precise timing of the A/D section with the block-oriented data transfers on the bus. This allows for the collection of "seamless" wide-bandwidth signals of millions of samples or greater.

Data may be transferred to mass storage peripherals such as disk or magnetic tape. Applications include long-baseline studies found in astrophysics, component life testing, and anomalous pattern search.

The analog section of the DVME-614 series is optimized for high signal quality and very low dynamic noise. The DVME-614 is ideal as an FFT "front-end" or DSP quantizer for array processors.

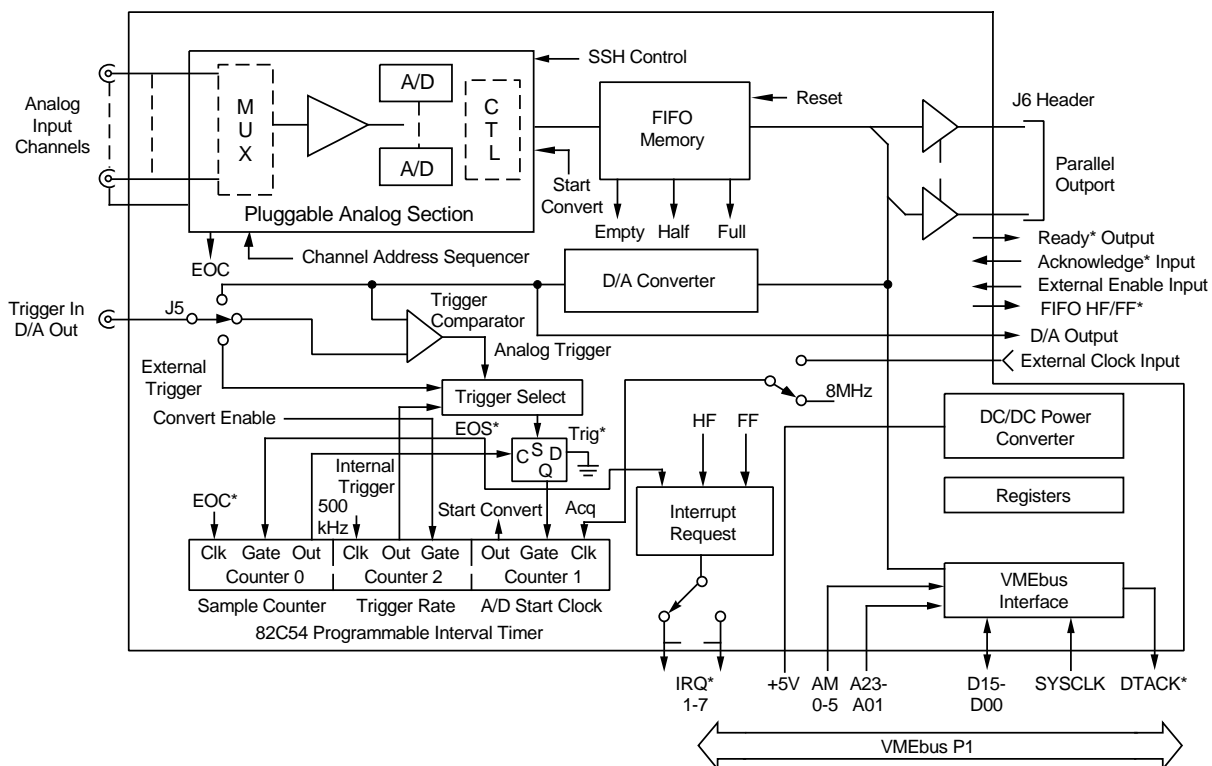


Figure 1. Functional Block Diagram

The A/D conversion timing section is designed for accurate multi-scan data acquisition. Software programmable timers control the interval between each conversion and each multichannel scan. A programmable sample counter allows sample blocks of specific length independent of FIFO length. The timer/counter section uses a precision on-board VMEbus clock or may be replaced by an external timebase. Time-out and sample count activities may be monitored from the computer bus using I/O status registers and/or programmable interrupts.

S/H-A/D triggering may use several sources under software control. The internal timebase is the normal trigger source although single conversions or scan may be directly commanded by host I/O register writes. An external trigger clock may also be used to precisely synchronize sampling with external events. This external trigger may start a single multichannel scan, or "N" multiple scans separated by programmable delays.

Analog sampling may also be level-triggered using an on-board analog comparator. The reference trigger level to the comparator is derived from an on-board 12-bit D/A converter. If preferred, the D/A converter can be used as a general purpose analog output channel.

The front panel connector of the DVME-614 may be of two types. For models DVME-614B, D, F, G, H, K, M, and N, coaxial BNC signal connectors are used. Most connectors are for sampling the analog channels. The last connector is for a choice of external timebase clock input, external analog trigger level, or for D/A output. For models DVME-614E, J, and L a 25-pin "D" connector is used.

The computer interface for control and status uses 24-bit addressing. Board control and A/D data uses 16-bit VMEbus transfers. A single interrupt is generated for a variety of conditions under host software control. These include A/D data ready, sample count reached, FIFO half-full or FIFO full.

A/D output data coding is right-justified two's complement with sign extension. This format is excellent for integer data typing with high level computer languages such as "C", FORTRAN, PASCAL, or Ada. It is also directly compatible with very fast arithmetic instructions for all microprocessor assembly languages and math coprocessors. Straight binary coding may be selected.

A high-efficiency, low noise DC/DC converter provides quiet power to linear sections. The burst channel parallel port uses a 25-pin "D" front panel connector.

Software

The DVME-614 is supplied with a set of low level function call examples in assembly language and "C". These are supplied on universal MS-DOS diskettes. The functions may be adapted to most host operating systems. The users manual has register and timing information for programmers to write their own software for any CPU or operating system. The functions may operate in either interrupt or status mode.

High-Speed Dual Channel Sampling

Model DVME-614F offers dual channel simultaneous sampling using two 12-bit A/D converters triggered in parallel. Each converter may be sampled at a rate of up to 2 MHz maximum.

Data is interleaved into the FIFO memory with each start conversion pulse using swapped channel addressing (channel 0, channel 1, channel 0, ...). Note that there will be twice as many samples in the FIFO versus the number of A/D start pulses. Model DVME-614G is similar but uses two 14-bit 1 MHz simultaneous A/D's.

System Timing Diagram

Because of the flexibility of the local timing and trigger systems, the DVME-614 operates in many modes. Figure 2 shows multiple trigger configurations with the Acquire flag as an A/D converter clock gate. Triggering may be from internal or external clocks or from the analog comparator. For precise phase tracking, use both an external trigger and an external A/D start clock.

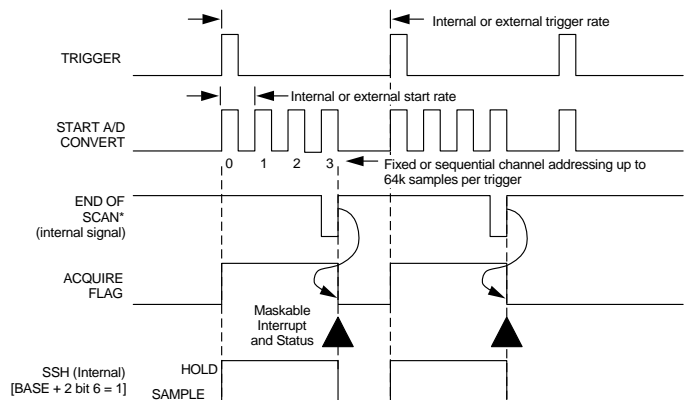


Figure 2. Trigger per Scan Mode

A/D Data Format

A/D data is delivered as a stream from the FIFO memory. For multichannel inputs, this means that data is multiplexed by the channel address with a modulo address wrap-around at the top channel. For example, with 4-channel inputs, the output channel sequence is 0, 1, 2, 3, 0, 1, . . .

Note that all A/D data is right-justified within the 16-bit data word with sign extension to bit 15.

FUNCTIONAL SPECIFICATIONS

(Typical at +25°C, dynamic conditions, gain = 1, unless noted)

ANALOG INPUTS	DVME-614B	DVME-614D	DVME-614E	DVME-614F
Number of Channels	4	1	16SE/8D	2 Simultaneous
Input Configuration (non-isolated) [Note 19]	Single Ended	Differential	SE or Diff.	Single Ended
Full Scale Input Ranges (user-selectable) (gain =1) [Notes 1 and 16]	0 to +10 V ±10 V ±5 V	±5 V	0 to +10 V ±10 V ±5 V	0 to +10 V ±5 V
Input Overvoltage (no damage, power on)	±15 V	±15 V	±15 V	±15 V
Overvoltage Recovery Time , maximum	2 µs	2 µs	2 µs	2 µs
Common Mode Voltage Range , maximum	—	±1 V	±10 V	—
Input Impedance [Notes 6 and 9]	10 MΩ	2 KΩ	100 MΩ	>1 MΩ
SAMPLE/HOLD				
Acquisition Time	750 ns	50 ns	750 ns	165 ns
Aperture Delay	20 ns	10 ns	20 ns	20 ns
Aperture Delay Uncertainty	±100 ps	±7 ps	±40 ps	±40 ps
A/D CONVERTER				
Resolution	14 bits	12 bits	12 bits	12 bits
Conversion Period	1.6 µs	200 ns	500 ns	400 ns
Number of A/D Converters	1	1	1	2
SYSTEM DC CHARACTERISTICS [Note 7]				
Integral Non-linearity (LSB of FSR)	±1.5	±2	±1	±1
Differential Non-linearity (LSB of FSR)	±1	±1	±0.75	±1
Full Scale Temperature Coefficient (LSB per °C)	±0.3	±0.1	±0.1	±0.1
Zero or Offset Temperature Coefficient (LSB per °C)	±0.3	±0.3	±0.1	±0.1
SYSTEM DYNAMIC PERFORMANCE [Notes 2 and 3]				
Sample Rate (single channel only)	500 KHz	5 MHz [6]	2 MHz	2 MHz
Sample Rate per Channel (simul. or sequential chans.) [Note 4]	330 KHz	—	500 KHz	2 MHz/chan.
Total Harmonic Distortion [Note 3]	-75 dB	-68 dB	-72 dB	-70 dB

Note: Model DVME-614J in short-cycled addressing is recommended in place of the DVME-614A.

Model DVME-614E can substitute for the DVME-614C.

ANALOG INPUTS		A/D CONVERTER	
Programmable Gains	See Note 1	Output Coding	Positive-true, right justified, straight bin. (unipolar) or right-justified 2's comp. (bipolar) with sign extension thru bit 15
Common Mode Rejection (DC - 60 Hz)	-80 dB (g = 100) (416E)	Trigger Sources (Software selectable)	1. Local Pacer frame clock 2. External TTL frame clock 3. Analog threshold comp.
Addressing Modes (short cycle channel addressing is software-selectable on DVME-614J,L)	1. Single channel 2. Simultaneous sampling 3. Sequential with autosequenced addressing 4. Random addressing by host software	A/D Sample Clock	1. Internal programmable 82C54 timer 2. Ext. TTL input, active high

Please read all notes carefully.

FUNCTIONAL SPECIFICATIONS

(Typical at +25°C, dynamic conditions, gain = 1, unless noted)

ANALOG INPUTS	DVME-614G	DVME-614H	DVME-614J	DVME-614K
Number of Channels	2 Simultaneous	1	8 Simultaneous	2 Simultaneous
Input Configuration (non-isolated) [Note 19]	Single Ended	Differential	Single Ended	Limited Differential
Full Scale Input Ranges (user-selectable) (gain =1) [Notes 1 and 16]	±5 V or 0 to +10 V (separate models)	±5 V (other ranges special order)	±5 V, ±10 V [Note 10]	0 to +10 V, ±5 V (separate models)
Input Overvoltage (no damage, power on)	±15 V	±15 V	±15 V	±15 V
Overvoltage Recovery Time, maximum	2 µs	1 µs	—	—
Common Mode Voltage Range, maximum	—	±1 V	—	±1 V
Input Impedance [Notes 6 and 9]	>1 MΩ	2 KΩ	8 KΩ (bipolar)	1 KΩ
SAMPLE/HOLD				
Acquisition Time	350 ns	35 ns	400 ns	50 ns
Aperture Delay	20 ns	±10 ns	—	10 ns
Aperture Delay Uncertainty	±70 ps	3 ps rms	—	±7 ps
A/D CONVERTER				
Resolution	14 bits	12 bits	12 bits	12 bits
Conversion Period	1 µsec*	100 ns	2 µs (all chans. in simul. sampling)	200 ns
Number of A/D Converters	2	1	8	2
SYSTEM DC CHARACTERISTICS [Note 7]				
Integral Non-linearity (LSB of FSR)	±1.5	±1.5	±1	±2
Differential Non-linearity (LSB of FSR)	±1	±1	±1	±1
Full Scale Temperature Coefficient (LSB per °C)	±0.3	±1	[Note 10]	±0.1
Zero or Offset Temperature Coefficient (LSB per °C)	±0.3	±1	[Note 10]	±0.3
SYSTEM DYNAMIC PERFORMANCE [Notes 2 and 3]				
Sample Rate (single channel only)	1 MHz*	10 MHz	400 KHz	5 MHz
Sample Rate per Channel (simul. or sequential chans.) [Note 4]	1 MHz/chan.*	—	250 KHz/chan.**	5 MHz/ch.
Total Harmonic Distortion [Note 3]	-80 dB	-65 dB	-75 dB	-68 dB

*Dual 2 MHz 14-bit sampling is available on special order.

**A 380 KHz/channel option is available on special order.

FUNCTIONAL SPECIFICATIONS

(Typical at +25°C, dynamic conditions, gain = 1, unless noted)

ANALOG INPUTS	DVME-614L	DVME-614M	DVME-614N	DVME-614P
Number of Channels	16 Simultaneous	4 Simultaneous	2 Simultaneous	4 Simultaneous
Input Configuration (non-isolated) [Note 19]	Single Ended	Single Ended	Single Ended	A/D's
Full Scale Input Ranges (user-selectable) (gain =1) [Notes 1 and 16]	±5 V, ±10 V, (user selectable) [Note 10]	±10 V	±2.5 V	Single Ended ±2.5 V or 0 to +5 V (user selectable)
Input Overvoltage (no damage, power on)	±15 V	±12 V	±15 V	
Overvoltage Recovery Time, maximum	—	—	—	±7 V
Common Mode Voltage Range, maximum	—	—	—	—
Input Impedance [Notes 6 and 9]	8 KΩ	10 MΩ	10 MΩ or 50Ω	1000 Ω
SAMPLE/HOLD				
Acquisition Time	400 ns	—	35 ns	—
Aperture Delay	—	—	±10 ns	—
Aperture Delay Uncertainty	—	—	5 ps	—
A/D CONVERTER				
Resolution	12 bits	16 bits	14 bits	14 bits
Conversion Period	2 μs (all chans. in simul. sampling)	5 μs (all chans. in simul. sampling)	200 ns (all chans. in simul. sampling)	400 ns (all chans. in simul. sampling)
Number of A/D Converters	16	4	2	4
SYSTEM DC CHARACTERISTICS [Note 7]				
Integral Non-linearity (LSB of FSR)	±2	±4	±1	±3
Differential Non-linearity (LSB of FSR)	±1	±3	±1	±1.5
Full Scale Temperature Coefficient (LSB per °C)	[Note 10]	±1	±0.5	±0.5
Zero or Offset Temperature Coefficient (LSB per °C)	[Note 10]	±1	±0.5	±0.5
SYSTEM DYNAMIC PERFORMANCE [Notes 2 and 3]				
Sample Rate (single channel only)	400 KHz	200 KHz	5 MHz	3 MHz* min.
Sample Rate per Channel (simul. or sequential chans.) [Note 4]	190 KHz/chan.	200 KHz/chan.	5 MHz/chan.	2.5 MHz/chan.
Total Harmonic Distortion [Note 3]	-75 dB	-83 dB	-75 dB	-75 dB

* The sample rate to published specifications is 3 MHz. The A/D is functional to 5 MHz. Valid data output per channel is delayed by 4 samples after the start of the sample clock. Please make note of this for products such as the PC-414P, PC-430P, and DVME-614P which use non-continuous A/D sampling. Data output is pipelined meaning that the first four samples per channel should be discarded. For all 4 channels, discard 16 samples. The design is intended for semi-continuous sampling of wideband signals and is less suitable for low speed data acquisition. Approximately 5 dB SFDR improvement can be achieved by directly connecting an external A/D sample clock. Contact DATEL for details.

SPECIFICATIONS, CONTINUED

(Typical @ +25°C, dynamic conditions, unless noted)

A/D MEMORY	
Architecture Memory Capacity	First-In, First-Out (FIFO) 1024, 4096, or 16,384 A/D samples
TRIGGER CONTROL	
Programmable Interval Timer Type Functions	82C54 1. A/D EOC sample count. 2. A/D start rate (16-bit divisor) 4MHz max. on-board. 3. Scan or frame rate of 3 to 65,536 samples. Drives the Acquire flag/interrupt gate for A/D start pulses.
82C54 Clock Source (user selectable)	1. Internal 8MHz crystal clock derived from VMEbus SYSCLK. 2. External BNC TTL input, 10MHz maximum.
Scan Trigger Clock Analog Trigger Input Range Analog Trigger Response Analog Trigger Hysteresis	125, 250, or 500kHz ±10V (not avail. on 614D). 2µs to set status flag ±40mV
ANALOG OUTPUT	
Number of Channels Function (user selectable) [Footnotes 5 and 20]	One channel 1. General purpose analog output 2. Threshold to comparator for analog trigger
Resolution Output Voltage Range (user selectable) Linearity Settling Time (10V step) Input Coding	12 bits 0 to +10V, ±5V, and ±10V at 5mA maximum. ±0.05% of FSR 5 microseconds to 0.05% Straight binary
VMEbus INTERFACE	
Standards Compliance Data Bus Width Address Bus Address Modifier Codes VMEbus Interrupt	IEEE P1014/D1.0 16 bits using P1 connector. 24 address lines (A23-A01) plus 6 address modifiers. 39 hex or 3D hex, selectable. 1 line, selectable IRQ 1-7. Asserts maskable programmable 8-bit vector ID code.
Architecture	SAD24:SD16 slave consisting of 16 contiguous word registers.
Bus Interrupt Sources	Scan acquire flag (sample count), FIFO full or half full.

Control/Status Functions	FIFO reset, FIFO flags, interrupt select/status, trigger source, timer control/period, sample count load, parallel output transfer status, A/D enable, MUX autosequence. Uses 16MHz VMEbus SYSCLK signal to generate DTACK* with selectable delay.
Data Transfer	
PARALLEL DATA PORT	
Parallel Output	16 lines, TTL levels from FIFO. Includes ready out, acknowledge in, and transfer enable in handshakes. Output steering is software enabled.
Function	Asynchronous slave to remote master. Does not provide addressing. All data is sequential. The transfer enable input from a remote master is displayed as a status bit.
Parallel Port Loading Parallel Port Data Rate	24mA out, 1.6mA in. 4MHz max. to external processor.
CONNECTORS	
VMEbus, P1 Analog Input Connectors Multipurpose Connector	96-pin male DIN connector. The P2 connector is not used. Four BNC bayonet coaxial mounted on front panel. DB-25 used for 614E, J, L. 5th BNC user-selectable for: a) Pacer trigger input b) Analog threshold comparator input. c) D/A output
Parallel Port	Front panel 25-pin female DB-25S. Provides external clock in.
MISCELLANEOUS	
Power Required Operating Temp. Range Storage Temp. Range Relative Humidity Altitude Outline Dimensions	+5V, ±5% at 3.0A max. from VMEbus. 0 to +60°C. Forced cooling is required. -20 to +80°C 10 to 90%, non-condensing. 0 to 10,000 feet. Double height VME, 6U outline. 9.19"W x 6.3"D x 0.6"H (233.5 x 160 x 15.24 mm).
Weight Analog Section Modularity Analog Adjustments	17 ounces (482 grams). The MUX-S/H-A/D module is socketed for function interchange. Offset and gain pots provided on DVME-614B,C,D,E,F,G,M,P
Note: 16MHz VMEbus SYSCLK is <i>required</i> .	

NOTES

1. Resistor-programmed gain (user supplied) from X1 to X100 is available on DVME-614E with increased settling delay at higher gains. Requires precision gain resistor.
2. Total throughput includes MUX settling time after changing the channel address, S/H acquisition time to rated specifications, A/D conversion, and FIFO transfer. Total throughput is not delayed by host software whenever the FIFO is not full.
3. THD test conditions are:
 1. Input freq. 500kHz (614F) 200kHz (614B,E,G)
50kHz (614J,L,M) 1MHz (614D,K)
2MHz (614H)
 2. Generator/filter THD is -90dB minimum.
 3. THD computed by FFT to 5th harmonic.
$$THD = 20 \left(\log_{10} \frac{(V2^2 + V3^2 + V4^2 + V5^2)^{0.5}}{V_{in}} \right)$$
 4. Inputs are full scale less 0.5dB. No channel advance.
 5. A/D sample rate = 500kHz (614B,E,G), 5MHz (614D,K), 2MHz (614F), 10MHz (614H), 250kHz (614J), 190kHz (614L,M)
 6. Crystal oscillator is used.
4. The rates shown for sequential sampling are the maximum A/D converter start rates and include MUX sequencing and settling. For example, if four channels of the DVME-614E were scanned, the maximum sample rate on any one channel would be $2\mu s \times 4 \text{ channels} = 8\mu s$ (125kHz per channel).
5. For fastest response on the analog comparator trigger, keep the reference voltage near the trip input voltage. To avoid overload recovery delays, do not let the trip input (or any other analog input) exceed $\pm 10V$.
6. The input impedance of 10M Ω minimum avoids attenuation errors from external source resistance. For many applications, an in-line coaxial 50 Ω shunt, inserted adjacent to the front connectors, is recommended to reduce reflections and standing wave errors.
7. Allow 20 minutes warmup time to rated specifications for models DVME-614B,G,M,N.
8. A 25-pin DB-25S connector is used for the DVME-614E,J,L.
9. Input impedance is shown with power on. Impedance with power off is 1500 Ohms or less.
10. Full power bandwidth is shown at approximately 3% distortion level. This is not the -3dB amplitude response which is at a higher but non-Nyquist frequency.
11. Avoid mixing external triggers which are a close submultiple of the internal A/D start clock to prevent lost samples.
12. The 5th coaxial connector may be dedicated to either external trigger or external A/D clock.

13. DVME-614J and L bipolar input is user-selectable $\pm 5V$ or $\pm 10V$ per channel (default). Total gain error over temperature range is $\pm 4LSB$ maximum. Total zero/offset error over temperature range is $\pm 4LSB$ maximum. Monotonicity: no missing codes over temperature range.
14. DVME-614G acquisition time is 350ns to $\pm 0.003\%$ of FSR.
15. Models DVME-614D, H, K, and M use a single channel 12-bit A/D converter with $\pm 5V$ inputs. An external A/D clock is required above 4MHz and the 82C54 timer must be bypassed. 10MHz sampling may continue until the FIFO memory is full.
16. Input polarity. Some models are fixed as bipolar only whereas others are user-selectable unipolar or bipolar. Still others require separate model numbers.
17. Models F, G, J, K, L, M, N, and P use one A/D converter per channel.
18. The customer must supply shielded cables and a certified computer to insure EMC compliance.
19. A/D-per-channel boards (models F, G, J, K, L, M, N, P) may be operated in "software differential" mode. Two A/D's are applied to the high and low legs of a single differential input channel. The two data values are then algebraically subtracted, either on the fly in real time or after all samples have been stored. Channel capacity in "software differential" is one-half the number of single-ended channels.

This technique offers excellent bandwidth, high common mode rejection and optional mix of single-ended and differential channels.
20. There is no D/A channel on DVME-614D.

Register Memory Mapping

The base address may be selected anywhere up to \$FFFF00h on 32-byte boundaries.

Address (hex)	Direction	Description
BASE + 0	Write	Command Register
BASE + 0	Read	Status Register
BASE + 2	Write	Channel Address Register
BASE + 4	Write	D/A Data Register
BASE + 6	Write	FIFO Reset Register
BASE + 8	Not used	
BASE + 0Ah	Not used	
BASE + 0Ch	Read/Write	Interrupt Vector ID
BASE + 0Eh	Read	FIFO A/D Data Register
BASE + 10h	Read/Write	Counter #0 (82C54)
BASE + 12h	Read/Write	Counter #1 (82C54)
BASE + 14h	Read/Write	Counter #2 (82C54)
BASE + 16h	Read/Write	Control Register (82C54)

At power-up or VMEbus reset, all registers contain zeroes except the FIFO HF and FF bits. The registers may be programmed in any sequence as long as the command register is last. See user manual for full details.

Array Pre-processing

Figure 4 shows the DVME-614 installed in a typical VME application. The DVME-614 may be connected to an array processor board via a parallel port or the VMEbus. The parallel port offers higher speed by offloading block data transfers from the VMEbus. A separate cable is required for the parallel port.

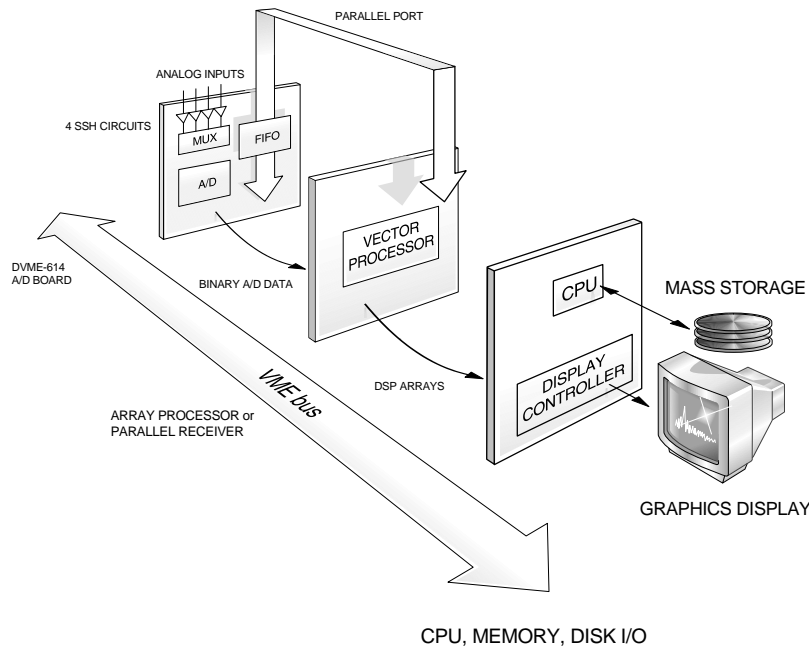


Figure 4. Array Pre-processing with the DVME-614

ORDERING INFORMATION

Hardware: DVME-614

Input Channels, A/D Resolution		FIFO Memory Size	Input Range Polarity
B = 4SE chans., 14 bits	J = 8SE simul. chans., 12 bits	1 = 1,024 A/D samples	A = Bipolar or selectable
D = 1D chan., 12 bits	K = 2SE simul. chans., 12 bits	2 = 4,096 A/D samples	B = Unipolar
E = 16SE/8D chans., 12 bits	L = 16SE simul. chans., 12 bits	3 = 16,384 A/D samples	Use the "A" designator for all models with user-selectable input polarity.
F = 2SE simul. chans., 12 bits	M = 4SE simul. chans., 16 bits		CAUTION: Read the input range specs carefully.
G = 2SE simul. chans., 14 bits	N = 2SE simul. chans., 14 bits		
H = 1D chan., 12 bits	P = 4SE simul. chans., 14 bits		

Example: DVME-614F3 Two simultaneous A/D's, 2MHz, 12-bit resolution, 16,384 FIFO samples.
 A software disk and user manual are included. Boards are power-cycle burn-in tested.

DVME-691 Screw terminal signal conditioning panel, pin-compatible to DVME-614E, J, and L.



Artisan Technology Group is your source for quality new and certified-used/pre-owned equipment

- FAST SHIPPING AND DELIVERY
- TENS OF THOUSANDS OF IN-STOCK ITEMS
- EQUIPMENT DEMOS
- HUNDREDS OF MANUFACTURERS SUPPORTED
- LEASING/MONTHLY RENTALS
- ITAR CERTIFIED SECURE ASSET SOLUTIONS

SERVICE CENTER REPAIRS

Experienced engineers and technicians on staff at our full-service, in-house repair center

*InstraView*SM REMOTE INSPECTION

Remotely inspect equipment before purchasing with our interactive website at www.instraview.com ↗

WE BUY USED EQUIPMENT

Sell your excess, underutilized, and idle used equipment. We also offer credit for buy-backs and trade-ins. www.artisanng.com/WeBuyEquipment ↗

LOOKING FOR MORE INFORMATION?

Visit us on the web at www.artisanng.com ↗ for more information on price quotations, drivers, technical specifications, manuals, and documentation

Contact us: (888) 88-SOURCE | sales@artisanng.com | www.artisanng.com