



Artisan Technology Group is your source for quality new and certified-used/pre-owned equipment

- FAST SHIPPING AND DELIVERY
- TENS OF THOUSANDS OF IN-STOCK ITEMS
- EQUIPMENT DEMOS
- HUNDREDS OF MANUFACTURERS SUPPORTED
- LEASING/MONTHLY RENTALS
- ITAR CERTIFIED SECURE ASSET SOLUTIONS

SERVICE CENTER REPAIRS

Experienced engineers and technicians on staff at our full-service, in-house repair center

*InstraView*SM REMOTE INSPECTION

Remotely inspect equipment before purchasing with our interactive website at www.instraview.com ↗

WE BUY USED EQUIPMENT

Sell your excess, underutilized, and idle used equipment. We also offer credit for buy-backs and trade-ins. www.artisanng.com/WeBuyEquipment ↗

LOOKING FOR MORE INFORMATION?

Visit us on the web at www.artisanng.com ↗ for more information on price quotations, drivers, technical specifications, manuals, and documentation

Contact us: (888) 88-SOURCE | sales@artisanng.com | www.artisanng.com



Looking for more information?

Visit us on the web at <http://www.artisan-scientific.com> for more information:

- Price Quotations
- Drivers
- Technical Specifications, Manuals and Documentation

Artisan Scientific is Your Source for Quality New and Certified-Used/Pre-owned Equipment

- Tens of Thousands of In-Stock Items
- Hundreds of Manufacturers Supported
- Fast Shipping and Delivery
- Leasing / Monthly Rentals
- Equipment Demos
- Consignment

Service Center Repairs

Experienced Engineers and Technicians on staff in our State-of-the-art Full-Service In-House Service Center Facility

InstraView™ Remote Inspection

Remotely inspect equipment before purchasing with our Innovative InstraView™ website at <http://www.instraview.com>

We buy used equipment! We also offer credit for Buy-Backs and Trade-Ins

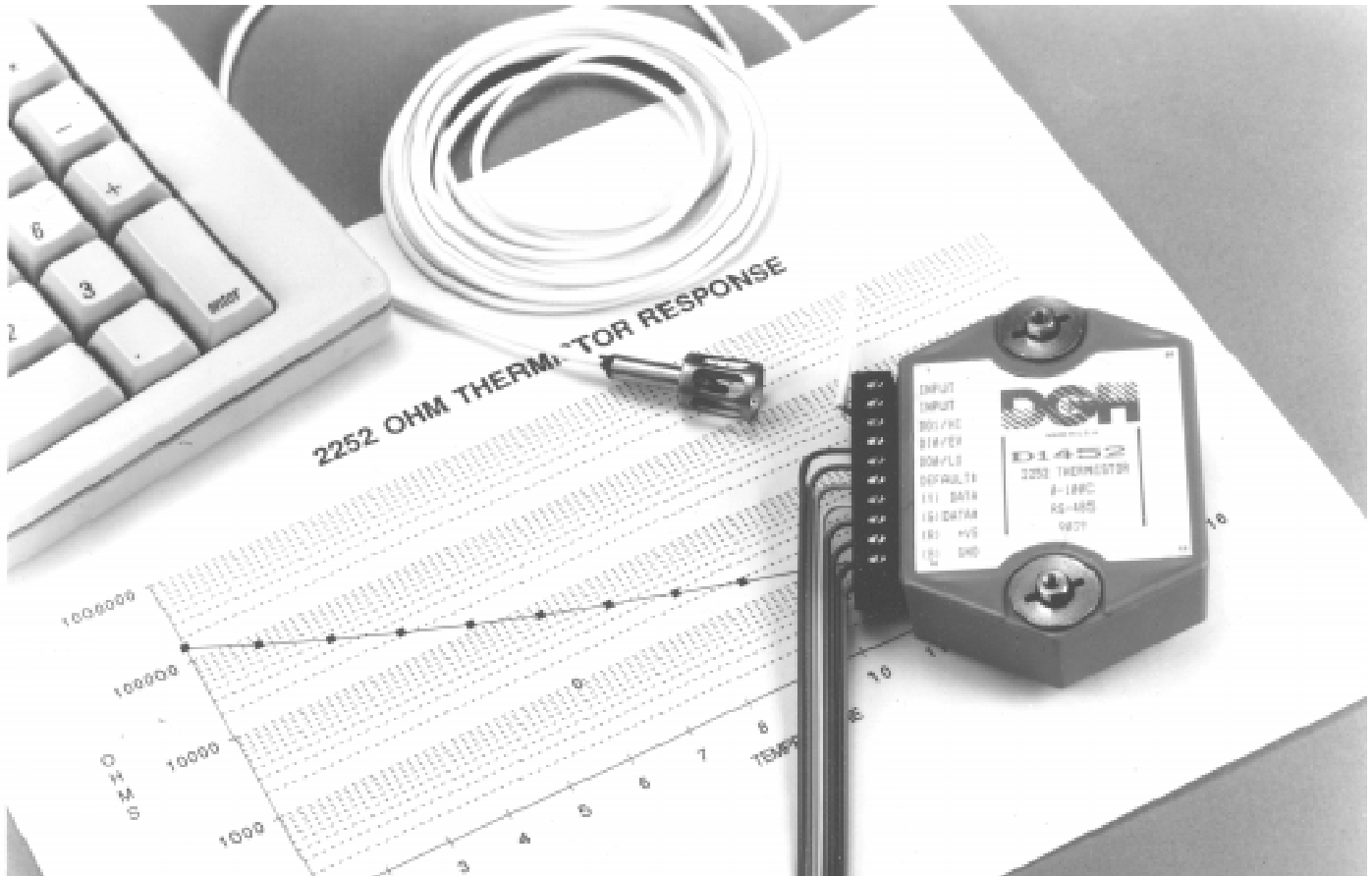
Sell your excess, underutilized, and idle used equipment. Contact one of our Customer Service Representatives today!

Talk to a live person: 888-88-SOURCE (888-887-6872) | Contact us by email: sales@artisan-scientific.com | Visit our website: <http://www.artisan-scientific.com>

Artisan Technology Group - Quality Instrumentation ... Guaranteed | (888) 88-SOURCE | www.artisan-tg.com



D1000 and D2000 SERIES SENSOR TO COMPUTER INTERFACE MODULES



D1000 and D2000 FEATURES

- Complete sensor to RS-485 or RS-232C interface.
- ASCII format command/response protocol.
- 500V rms analog input isolation.
- 15 bit measurement resolution.
- Continuous self-calibration; no adjustments of any kind.
- Programmable digital filter.
- Digital limit setting and alarm capability.
- Digital inputs and outputs connect to solid state relays.
- Events counter to 10 million.
- Requires +10V to +30Vdc unregulated supply.
- Transient suppression on RS-485 communications lines.
- Screw terminal plug connectors supplied.

D2000 PROGRAMMABLE FEATURES

Provides intelligent features not found in the D1000.

- ASCII output scaled to desired engineering units.
- User programmable nonlinear transfer function.
- Straight-line segment approximation: up to 24 segments.

APPLICATIONS

- Process monitoring and control
- Remote data logging to any host computer
- Product testing
- Direct connection to modems

D1000 and D2000 SPECIFICATIONS (typical at +25°C and nominal power supply unless otherwise noted)

Analog

- Single channel analog input.
- Maximum CMV, input to output at 60Hz: 500V rms.
- Leakage current, input to output at 115Vrms, 60Hz: <2 μ A rms.
- 15 bit measurement resolution.
- 8 conversions per second.
- Autozero & autocalibration—no adjustment pots.

Digital

- 8-bit CMOS microcomputer.
- Digital scaling, linearization and calibration .
- Nonvolatile memory eliminates pots and switches.

Digital filtering

- Small and large signal with user selectable time constants from 0 to 16 seconds.

Events counter

- Up to 10 million positive transitions at 60Hz max., filtered for switch debounce.

Digital inputs

- Voltage levels: ± 30 V without damage.
- Switching levels: High, 3.5V min., Low, 1.0V max.
- Internal pull up resistors for direct switch input.

Digital outputs

- Open collector to 30V, 30mA max. load.

Alarm outputs

- HI/LO limit checking by comparing input values to down-loaded HI/LO limit values stored in memory.
- Alarms: latching (stays on if input returns to within limits) or momentary (turns off if input returns to within limits).

Communications

- Communications in ASCII via RS-232C, RS-485 ports.
- Selectable baud rates: 300, 600, 1200, 2400, 4800, 9600, 19200, 38400.
- NRZ asynchronous data format; 1 start bit, 7 data bits, 1 parity bit and 1 stop bit.
- Parity: odd, even, none.
- User selectable channel address.
- ASCII format command/response protocol.
- Up to 124 multidrop modules per host serial port.
- Communications distance up to 4,000 feet (RS-485).
- Transient suppression on RS-485 communications lines.
- Communications error checking via checksum.
- Can be used with "dumb terminal".
- Scan up to 250 channels per second.
- All communications setups stored in EEPROM.

Power

Requirements: Unregulated +10V to +30Vdc ,
0.75W max (D1500/D2500, 2.0W max.).
Internal switching regulator.
Protected against power supply reversals.

Environmental

Temperature Range: Operating -25°C to +70°C.
Storage -25°C to +85°C.
Relative Humidity: 0 to 95% noncondensing.

Warranty

12 months on workmanship and material.

D1100/D2100 Voltage Inputs

- Voltages: ± 10 mV, ± 100 mV, ± 1 V, ± 5 V, ± 10 V, ± 100 Vdc.
- Resolution: 0.01% of FS (4 digits).
- Accuracy: ± 0.02 % of FS max.
- Common mode rejection: 100dB at 50/60Hz.
- Zero drift: ± 1 count max (autozero).
- Span tempco: ± 50 ppm/ $^{\circ}$ C max.
- Input burnout protection to 250Vac .
- Input impedance: $\leq \pm 1$ V input = 100M Ω min.
 $\geq \pm 5$ V input = 1M Ω min.
- 1 Digital input/Event counter, 2 Digital outputs.

D1200/D2200 Current Inputs

- Currents: ± 1 mA, ± 10 mA, ± 100 mA, ± 1 A, 4-20mAdc.
- Resolution: 0.01% of FS (4 digits), 0.04% of FS (4-20mA).
- Accuracy: ± 0.02 % of FS, 0.04% of FS (4-20mA).
- Common mode rejection: 100dB at 50/60Hz.
- Zero drift: ± 1 count max (autozero).
- Span tempco: ± 50 ppm/ $^{\circ}$ C max. (± 1 A = ± 80 ppm/ $^{\circ}$ C max.)
- Voltage drop: ± 0.1 V max.
- 1 Digital input/Event counter, 2 Digital outputs.

D1300 Thermocouple Inputs

- Thermocouple types: J, K, T, E, R, S, B, C (factory set).
- Ranges: J = -200°C to +760°C B = 0°C to +1820°C
K = -150°C to +1250°C S = 0°C to +1750°C
T = -200°C to +400°C R = 0°C to +1750°C
E = -100°C to +1000°C C = 0°C to +2315°C
- Resolution: $\pm 1^{\circ}$.
- Overall Accuracy (error from all sources) from 0 to +40°C ambient: $\pm 1.0^{\circ}$ C max (J, K, T, E).
 $\pm 2.5^{\circ}$ C max (R, S, B, C)(300°C TO FS).
- Common mode rejection: 100dB at 50/60Hz.
- Input impedance: 100M Ω min.
- Lead resistance effect: <20 μ V per 350 Ω .
- Open thermocouple indication.
- Input burnout protection to 250Vac.
- User selectable $^{\circ}$ C or $^{\circ}$ F.
- Overrange indication.
- Automatic cold junction compensation and linearization.
- 2 Digital inputs, Event counter, 3 Digital outputs.

D1400 RTD Inputs

- RTD types: $\alpha = .00385$, $.00392$, 100 Ω at 0°C,
 $.00388$, 100 Ω at 25°C.
 - Ranges: $.00385 = -200^{\circ}$ C to +850°C.
 $.00392 = -200^{\circ}$ C to +600°C.
 $.00388 = -100^{\circ}$ C to +125°C.
 - Resolution: 0.1 $^{\circ}$.
 - Accuracy: $\pm 0.3^{\circ}$ C.
 - Common mode rejection: 100dB at 50/60Hz.
 - Input connections: 2, 3, or 4 wire.
 - Excitation current: 0.25mA.
 - Lead resistance effect: 3 wire - 2.5°C per Ω of imbalance.
4 wire - negligible.
 - Max lead resistance: 50 Ω .
 - Input protection to 120Vac .
 - Automatic linearization and lead compensation.
 - User selectable $^{\circ}$ C or $^{\circ}$ F.
 - 1 Digital output.
-

D1450 Thermistor Inputs

- Thermistor types: 2252Ω at 25°C, TD Series
- Ranges: 2252Ω = -0°C to +100°C.
TD = -40°C to +150°C.
- Resolution: 2252Ω = 0.01°C or F.
TD = 0.1°C or F
- Accuracy: 2252Ω = ±0.1°C.
TD = ±0.2°C
- Common mode rejection: 100dB at 50/60Hz.
- Input protection to 30Vdc .
- User selectable °C or °F.
- 1 Digital input/ Event counter, 2 Digital outputs.

D1500/D2500 Bridge Inputs

- Voltage Ranges: ±30mV, ±100mV, 1-6Vdc.
- Resolution: 10μV (mV spans).
0.02% of FS (V span).
- Accuracy: ±0.05% of FS max.
- Common mode rejection: 100dB at 50/60Hz.
- Input protection to 30Vdc .
- Offset Control: Full input range.
- Excitation Voltage: 5V, 8V, 10Vdc, 60mA max.
- Zero drift: ±1μV/°C max.
- Span tempco: ±50ppm/°C max.
- 1 Digital output.

D1600/D2600 Timer and Frequency Inputs

- Input impedance: 1MΩ.
- Switching level: selectable 0V, +2.5V.
- Hysteresis: Adjustable 10mV-1.0V.
- Input protection: 250Vac .
- 1 Digital input/Event counter.

Frequency Input

- Range: 1Hz to 20KHz.
- Resolution: 0.005% of reading + 0.01Hz.
- Accuracy: ±0.01% of reading ±0.01Hz.
- Tempco: ±20ppm/°C.

Timer Input

- Range: 100μs to 30 s.
- Resolution: 0.005% of reading +10μs.
- Accuracy: ±0.01% of reading ±10μs.
- Tempco: ±20ppm/°C.

Event Counter Input

- Input Bandwidth: 60Hz, (optional 20KHz max.).
- Up to 10 million positive transitions.

Accumulator Input

- Input Frequency Range: 1Hz to 10KHz.
- Input Timer Range: 100μs to 30s.
- Pulse Count: Up to 10 million positive transitions.
- Resolution: 0.005% of reading +0.01Hz (Frequency).
0.005% of reading +10μs (Timer) .
- Accuracy: ±0.01% of frequency reading ±0.01Hz.
±0.01% of timer reading ±10μs.
- Tempco: ±20ppm/°C.

Specifications are subject to change without notice

D1700 Digital Inputs/Outputs

- D1711, D1712: 15 digital input/output bits.
- User can define any bit as an input or an output.
- Input voltage levels: 0-30V without damage.
- Input switching levels: High, 3.5V min., Low, 1.0V max.
- Outputs: Open collector to 30V, 100mA max. load.
- Vsat: 1.0V max @ 100mA.
- Single bit or parallel I/O addressing.

D1701, D1702: 7 digital inputs and 8 digital outputs.

- Input voltage levels: ±30V without damage.
- Input switching levels: High, 3.5V min., Low, 1.0V max.
- Outputs: open collector to 30V, 30mA max. load.
- Vsat: 0.2V max @ 30mA.
- Internal pull up resistors for direct switch input.
- Inputs/Outputs are read/set in parallel.

Specifications are subject to change without notice.

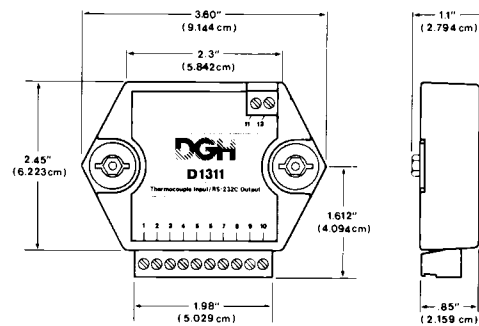
Mechanicals and Dimensions

Case: ABS with captive mounting hardware.

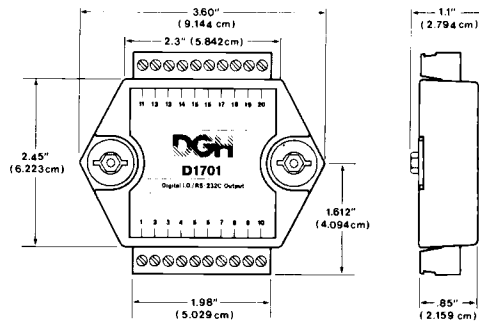
Connectors: Screw terminal barrier plug (supplied).

Replace with Phoenix MSTB 1.5/10 ST 5.08 or equivalent.

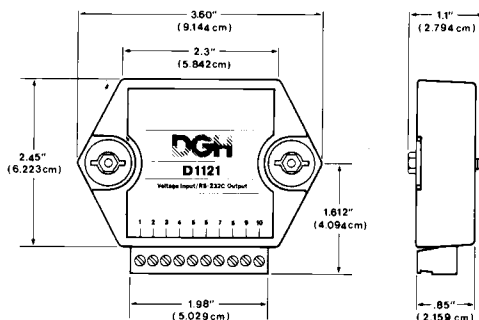
D1300 Series



D1700 Series



D1000/D2000 Series



NOTE: Spacing for mounting screws = 2.700" (6.858 cm).
Screw threads are 6 X 32.

GENERAL DESCRIPTION

The D1000 and D2000 Sensor to Computer Modules are a family of complete solutions designed for data acquisition systems based on personal computers and other processor-based equipment with standard serial I/O ports. The modules convert analog input signals to engineering units and transmit in ASCII format to any host with standard RS-485 or RS-232C ports. These modules can measure temperature, pressure, voltage, current and various types of digital signals. The modules provide direct connection to a wide variety of sensors and perform all signal conditioning, scaling, linearization and conversion to engineering units. Each module also provides digital I/O lines for controlling devices through solid state relays or TTL signals. These digital I/O lines along with built-in limit setting capability provide alarm and control outputs.

The modules contain no pots or switches to be set. Features such as address, baud rate, parity, alarms, echo, etc. are selectable using simple commands over the communications port—without requiring access to the module. The selections are stored in nonvolatile EEPROM which maintains data even after power is removed.

The key to the DGH product concept is that the modules are easy to use. You do not need engineering experience in complicated data acquisition hardware. With the DGH modules, anyone familiar with a personal computer can construct a data acquisition system. This modular approach to data acquisition is extremely flexible, easy to use and cost effective. Data is acquired on a per channel basis so you only buy as many channels as you need. The modules can be mixed and matched to fit your application. They can be placed remote from the host and from each other. You can string up to 124 modules on one set of wires by using RS-485 with repeaters.

The D2000 series is an enhanced version of the D1000 series of sensor interfaces. The D2000 series allows the user to scale the output data in any desired engineering units. The D2000 also provides the ability to program nonlinear transfer functions. This feature may be used to linearize nonstandard sensors or to provide outputs in engineering units which are nonlinear functions of the input.

The D2000 can be programmed to approximate square law, root, log, high-order polynomial or any other nonlinear function. The D2000 may also be empirically field-programmed when the exact transfer function is unknown.

The D1000 and D2000 modules are isolated data acquisition systems for real-time distributed processing and control. By distributing computer power to each sensor location, the host computer is unburdened from interpreting data from sensor inputs. Instead of scaling and linearizing sensor data, the host computer can be used more efficiently to scan a greater number of inputs and to provide faster control output.

The D1000 and D2000 are compatible with the DGH D3000 and D4000 series and may be mixed in any combination. The D3000 and D4000 series convert ASCII format input commands to voltage or current output signals.

All modules are supplied with screw terminal plug connectors and captive mounting hardware. The connectors allow system expansion, reconfiguration or repair without disturbing field wiring.

UTILITY SOFTWARE

Complimentary Utility Software is included with each purchase order. The software is compatible with Windows 95, 98, NT 4.0+, 2000 operating systems and distributed on CD-ROM. The Utility Software simplifies configuration of all user-selectable options such as device address, baud rate and filtering constants. The latest version of our software is always downloadable from our web site at www.dghcorp.com.

THEORY OF OPERATION

Each DGH module is a complete single-channel data acquisition system. Each unit contains analog signal conditioning circuits optimized for a specific input type. The amplified sensor signals are converted to digital data with a microprocessor-controlled integrating A/D converter. Offset and gain errors in the analog circuitry are continuously monitored and corrected using microprocessor techniques. The D1000 converts the digital signal data into engineering units using look-up tables. The D2000 converts the digital signal data into engineering units using look-up tables that are customer-programmed. The resultant data is stored in ASCII format in a memory buffer. The modules continuously convert data at the rate of 8 conversions per second and store the latest result in the buffer. The host computer may request data by sending simple ASCII commands to the module. The D1000 will then instantly respond by communicating the ASCII buffer data back to the host. Up to 124 modules may be linked to a single RS-232C or RS-485 host computer port. Each module on a serial line is identified by a unique user-programmable address. This addressing technique allows modules to be interrogated in any order.

DIGITAL INPUTS/OUTPUTS

D1000 and D2000 modules also contain up to three digital outputs and two digital inputs. The digital outputs are open-collector transistor switches that may be controlled by the host computer. These switches may be used to control solid-state relays which in turn may control heaters, pumps and other power equipment. The digital inputs may be read by the host computer and used to sense the state of a remote digital signal. They are ideal for sensing the state of limit or safety switches. Digital I/O capability may be expanded by using the DGH D1700 modules.

EVENT COUNTER

With the exception of D1400 RTD, D1500 and D2500 bridge input modules, every module contains an onboard event counter. The event counter will count up to 10 million transitions that occur on the digital input. The event counter may be read and cleared by the host computer at any time. The counter has many applications where a host computer must read an accumulated count of events. It may be used in production line applications to keep a record of repetitious operations. For applications that only require counting, DGH offers the D1621 and D1622 Event Counter modules. These modules have no analog input but count events up to 10 million at either 60Hz or 20KHz bandwidths.

For applications that require reading and accumulating pulse-type information DGH offers the Accumulator modules. The Accumulators can read both the rate and the total count of a frequency or pulse input signal. They can keep track of power consumption when connected to a power meter or accumulate the output of pulse-type flow meters.

ALARM OUTPUTS

The D1000 and D2000 modules include digital high and low alarm functions. High and low alarm limits may be downloaded into the module by the host computer. The limit data is compared against the analog input data after every A/D conversion. The result of the limit comparison may be read by the host. The high and low limits may also be used to control the digital outputs on the module. The limits may be used to turn on alarms or to shut down a process independent of a host computer. Limit data may be changed at any time with commands from the host computer. Limit values are stored in nonvolatile memory to preserve the values even when module power is removed. Limit data is downloaded in the same engineering units as output data. Alarm outputs may be programmed to be latching to record the occurrence of a single alarm event. Alarm outputs may also be configured to form simple on-off controllers that are independent of the host computer.

USER OPTIONS

To provide maximum flexibility, the D1000 and D2000 offer a variety of user-selectable options including choice of address, baud rate, parity, alarm options, echo, etc. All options are selectable using simple commands over the communications port. All option selections are stored in a nonvolatile EEPROM which maintains data even after power is removed. The modules contain no pots or switches to be set. All options may be changed remotely without requiring access to the module.

DIGITAL FILTER

The D1000 and D2000 options include a unique programmable single pole digital filter. The filter is used to smooth analog data in noisy environments. Separate time constants may be specified for small and large signal changes. Typically a large time constant is specified for small signal changes to filter out noise and provide stable

output readings. A smaller time constant may be chosen for large signal changes to provide fast response to such changes.

COMMUNICATIONS

The D1000 and D2000 are designed to be easy to interface to all popular computers and terminals. All communications to and from the module are performed with printable ASCII characters. This allows the information to be processed with string functions common to most high-level languages such as BASIC. For computers that support standard ports such as RS-232C, no special machine language software drivers are necessary for operation. The modules can also be connected to auto-answer modems for long-distance operation without the need for a remote supervisory computer. The ASCII format makes system debugging easy with a dumb terminal.

RS-232C is the most widely used communications standard for information transfer between computing equipment. RS-232C versions of the D1000 and D2000 will interface to virtually any computer without additional hardware. RS-232C is not designed to be used as a multiparty system; however the modules can be daisy-chained, as shown in figure 1, to allow many modules to be connected to a single communications port. In this network, any characters transmitted by the host are received by each module in the chain and passed on to the next station until the information is echoed back to the host. In this way all commands given by the host are examined by every module in the chain. If a module is correctly addressed and receives a valid command, it transmits a response on the daisy chain network. The response will be rippled through any other modules in the chain until it reaches the host.

RS-485 is a communications standard developed for multidropped systems that can communicate at high data rates over long distances, as shown in figure 2. RS-485 is similar to RS-422 in that it uses a balanced differential pair of wires switching from 0 to 5V to communicate data. RS-485 receivers can handle common mode voltages from -7

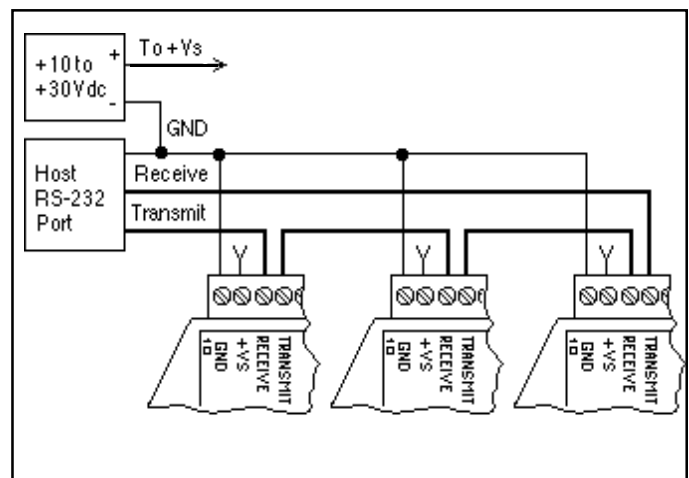
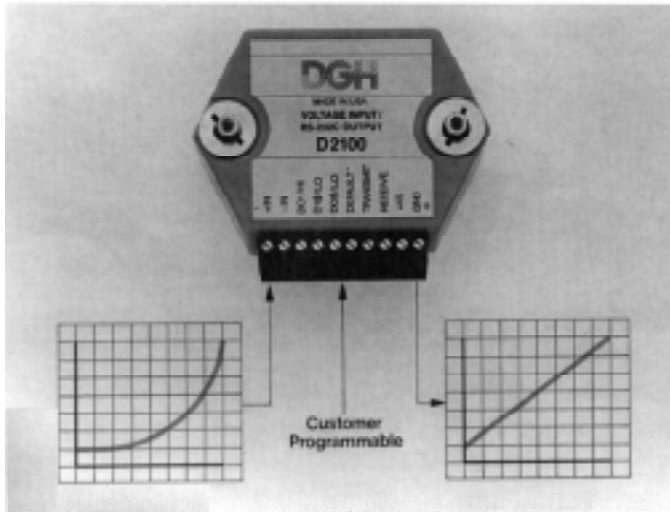


Figure 1 RS-232 Daisy Chain Network.



D2000 PROGRAMMING

The outstanding feature of the D2000 series is its user-programmable output scaling. The transfer function from analog input to data output may be specified to an infinite spectrum of functions, both linear and nonlinear. Sensor data may be scaled to any desired engineering units for easy interpretation.

The D2000 uses a piece-wise linear technique to approximate nonlinear functions. Figure 3 shows this technique. The first step in programming a function is to establish the functions endpoints, as shown in figure 3a. This is accomplished by using the Minimum (MN) and Maximum (MX) commands. In cases where only linear scaling is necessary, the programming task is now complete. For nonlinear functions, the linear curve may be broken into segments by describing a breakpoint using the BreakPoint (BP) command. The breakpoint establishes an intersection between two linear segments. Figures 3b & 3c show the effect of breakpoints.

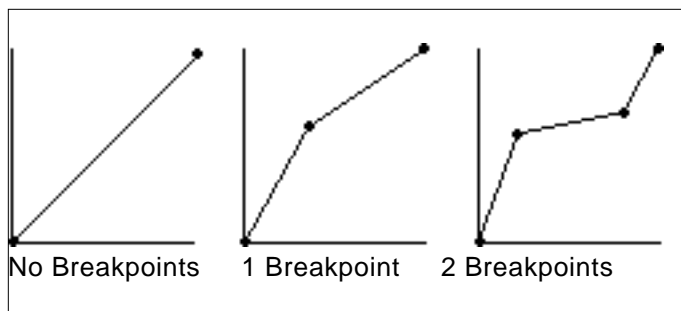


Figure 3. Piece-wise linear technique.

Up to 23 breakpoints are available to define 24 linear segments. Only two restrictions apply to the shape of the programmed transfer function:

1. The output data value must be a single-valued function of the input.
2. The output values must lie between the limits set by the endpoints.

In general, breakpoints are defined by applying a known analog signal to the input of the module. This establishes the x-axis position of the breakpoint. The y-axis position is defined in the argument of the breakpoint (BP) command. The breakpoint data is stored in nonvolatile EEPROM. The transfer function may be reprogrammed many times.

RESOLUTION

All DGH modules represent data in the same fixed format of sign, five digits, decimal point, and two more digits; +00100.00 for example. The user can structure the D2000 output data for the best compromise between resolution and readability. For example, a +0.05 volt output indication may be structured in three output formats:

Input Voltage	Output Format	Resolution
+0.05Volts	+00000.05	5
+50 millivolts	+00050.00	5,000
+50,000 microvolts	+50000.00	5,000,000

The microvolt output format extracts the best resolution but the output data will tend to be noisy. For a 0 to 0.05V output, millivolts is the best output format choice. This gives 5,000 counts of resolution in easy to interpret units.

In a typical application a D2000 module is used to output data in units of specific gravity. The specific gravity output range is between 0.5 and 2. If the output data format range is +0000.50 to +00002.00 there are only 150 counts of resolution between the minimum and maximum outputs. However, since the specific gravity of water is defined to be 1, the output may be scaled in percent. The specific gravity of water becomes 100 %. The output data range in % is from +00050.00 to +00200.00. This format allows up to 15,000 counts of resolution in easily interpreted units.

D2000 SCALING

The D2000 can output data in easy-to-understand engineering units that may be instantly read and interpreted, without data conversion, by a host computer. For example, a pressure sensor provides a 1 to 5V linear output for pressures of 0 to 1000 psi. A D2131 reads the sensor output in millivolts. But the real parameter of interest is pressure, not voltage, and voltage readings may be difficult to interpret. To make the output data more meaningful, program the D2131 output in psi:

Pressure (psi)	Sensor Output	D2131 Output (mV)	D2131 Output (psi)
0	1.0V	+01000.00	+00000.00
500	3.0V	+03000.00	+00500.00
1000	5.0V	+05000.00	+01000.00

In many cases, the desired output data is specific to an application. Assume that the same pressure sensor is used to measure the "fullness" of a pressure vessel, such as a cylinder of compressed air. The output units could be

in units of "percent" and in this case we will assume that if the cylinder reads 750 psi it is 100% full:

Pressure (psi)	Sensor Output	D2131 Output (%)
0	1.0V	+0000.00
375	2.5V	+00050.00
750	4.0V	+00100.00

The real power of the D2000 is their ability to provide output data in engineering units for nonlinear sensors. A nonlinear transfer function may be programmed into a D2000 module by approximating the curve with a series of linear segments, using the Break Point (BP) command. A Break Point specifies the intersection between two linear segments. Up to 23 Break Points may be used to specify 24 linear segments in a curve.

The following example uses a D2131 to linearize the output of a pyrometer that uses an infrared temperature sensor. The infrared temperature sensor is inherently nonlinear and its output ranges from 0.717 to 1.406V for a temperature span of 600 to 1600°C.

Breakpoint	Input Voltage	Output Value
Minimum	+00717.00	+00600.00
00	+00844.00	+00700.00
01	+00948.00	+00800.00
02	+01036.00	+00900.00
03	+01110.00	+01000.00
04	+01174.00	+01100.00
05	+01230.00	+01200.00
06	+01280.00	+01300.00
07	+01325.00	+01400.00
08	+01367.00	+01500.00
Maximum	+01406.00	+01600.00

Scaling a nonlinear transfer function in the field

Assume that a water tower with an irregular shape is 30 feet tall and holds about 10,000 gallons. A pressure sensor may be used to measure the height of the water in the tower. The pressure sensor produces 0.1V per foot of water starting at 0V. To create a nonlinear function in the module, the endpoints must be set first. The minimum value is known and may be programmed by applying 0V to the module corresponding to 0 gallons. A "dummy" maximum value, which we know can never be exceeded, may be used to specify the maximum endpoint. In this case we apply +5V to the module and program the maximum value to be 15,000 gallons. Starting with an empty tower, read the pressure at fixed known volumes of water, every 1000 gallons for example, and set breakpoints in the module corresponding to known amounts of water in the tower. Once the curve is programmed, the module converts the pressure signal to gallons.

The preceding example shows that D2000 modules may be programmed in the field to specific test inputs where the actual nonlinearity is unknown. Since all programming

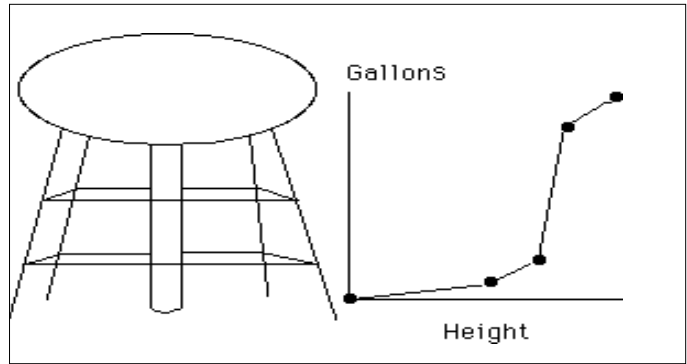


Figure 4. Scaling when the exact transfer function is unknown

is done through the communications port, access to a module is not necessary and ranging may be done remotely.

Scaling to desired engineering units

The D2000 allows you to scale an input to desired engineering units. For example, many sensor output signals are transmitted as 4 to 20mA signals. The following example demonstrates scaling a 4 to 20mA signal to 0 to 100% using a DGH D2251 or D2252 module. The actual input range of these modules is 0 to 25mA to make it easier to adjust for zero and span and to allow for drift in the end points of the input.

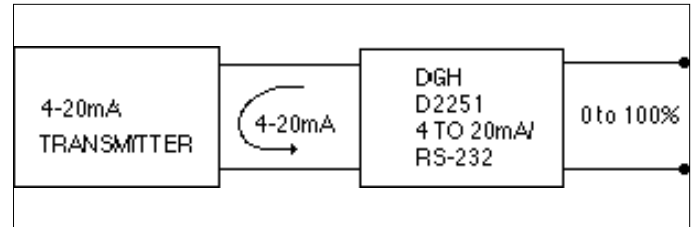


Figure 5. Scaling to desired engineering units

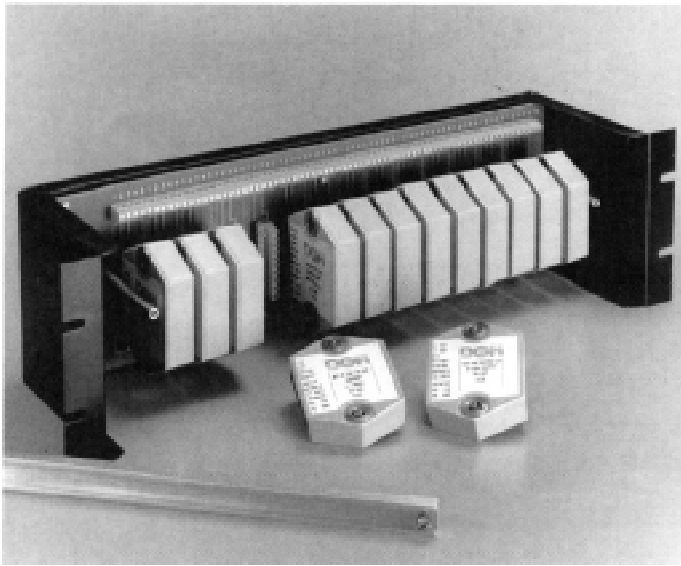
Since the input range is 0 to 25mA and you want to use a portion of that range, you must determine the new minimum and maximum values. The two desired values: 4mA, 0% and 20mA, 100% determines the desired transfer function. Extrapolate this function to the full-scale range of the module, which is 0-25mA. This results in endpoints at 0mA, -25% and 25mA, 131.25%.

Input the new minimum and maximum values with the following procedure. In these steps, we assume a channel address of 1.

1. Connect module to computer, or terminal and establish communications.
2. Apply 0mA to the input.
3. Send a Write Enable command, \$1WE, followed by a Minimum Value command, \$1MN-00025.00. The response to both commands should be an *.
4. Apply +25mA to the input.
5. Send a \$1WE command followed by a Maximum Value command, \$1MX+00131.25. The response to both commands should be an *.

The entire range is rescaled and all values are read in percent.

BP-8 and BP-14 8 and 14 CHANNEL MOUNTING BACKPLANES

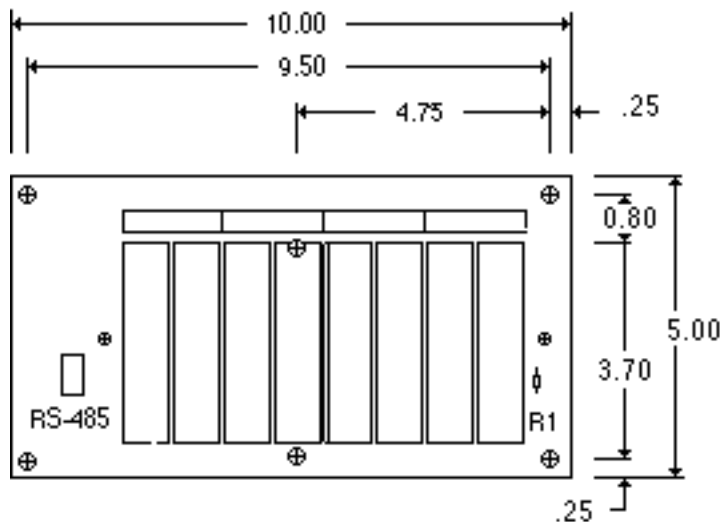


The BP-8 and BP-14 are 8 and 14 channel mounting backplanes for DGH modules. The backplanes accept any RS-485 DGH analog input or analog output modules and are designed to be mounted in standard 19 inch racks. RS-485 modules are used because RS-485 is the preferred communications standard for high channel count applications. Although analog modules are used it must be noted that every DGH module has some digital I/O capability. Therefore the combination of DGH modules with the backplanes make a cost effective high density remote analog and digital data acquisition system.

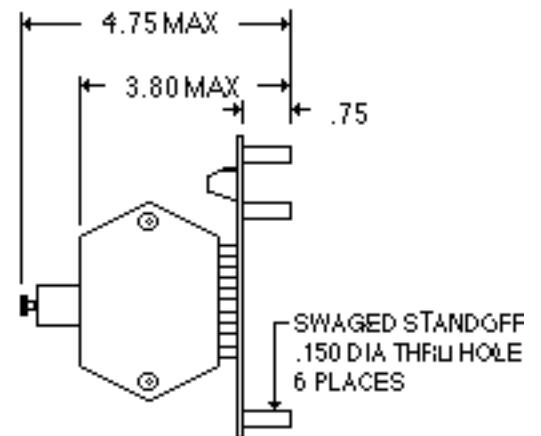
The BP-8 and BP-14 reduce wiring costs by providing all common connections on the backplane. Each backplane includes screw terminals for all inputs, outputs, power connections and communications signals. The backplanes also include swaged thru-hole stand-offs for mounting, a hold-down bar, and holes for an RS-485 termination resistor.

(Bracket not supplied)

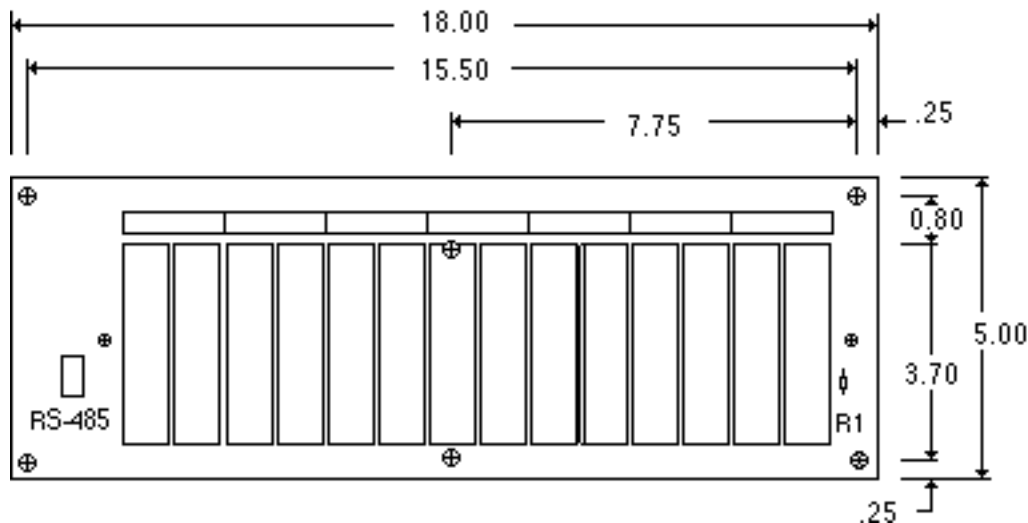
BP-8 DIMENSIONS



SIDE VIEW



BP-14 DIMENSIONS



ORDERING GUIDE

MODEL INPUT/OUTPUT

Voltage Input

D1101/D2101 10mV Input/RS-232C Output
D1102/D2102 10mV Input/RS-485 Output
D1111/D2111 100mV Input/RS-232C Output
D1112/D2112 100mV Input/RS-485 Output
D1121/D2121 1V Input/RS-232C Output
D1122/D2122 1V Input/RS-485 Output
D1131/D2131 5V Input/RS-232C Output
D1132/D2132 5V Input/RS-485 Output
D1141/D2141 10V Input/RS-232C Output
D1142/D2142 10V Input/RS-485 Output
D1151/D2151 100V Input/RS-232C Output
D1152/D2152 100V Input/RS-485 Output

Current Inputs

D1211/D2211 10mA Input/RS-232C Output
D1212/D2212 10mA Input/RS-485 Output
D1221/D2221 1mA Input/RS-232C Output
D1222/D2222 1mA Input/RS-485 Output
D1231/D2231 100mA Input/RS-232C Output
D1232/D2232 100mA Input/RS-485 Output
D1241/D2241 1A Input/RS-232C Output
D1242/D2242 1A Input/RS-485 Output
D1251/D2251 4-20mA Input/RS-232C Output
D1252/D2252 4-20mA Input/RS-485 Output

Thermocouple Inputs

D1311 J Thermocouple Input/RS-232C Output
D1312 J Thermocouple Input/RS-485 Output
D1321 K Thermocouple Input/RS-232C Output
D1322 K Thermocouple Input/RS-485 Output
D1331 T Thermocouple Input/RS-232C Output
D1332 T Thermocouple Input/RS-485 Output
D1341 E Thermocouple Input/RS-232C Output
D1342 E Thermocouple Input/RS-485 Output
D1351 R Thermocouple Input/RS-232C Output
D1352 R Thermocouple Input/RS-485 Output
D1361 S Thermocouple Input/RS-232C Output
D1362 S Thermocouple Input/RS-485 Output
D1371 B Thermocouple Input/RS-232C Output
D1372 B Thermocouple Input/RS-485 Output
D1381 C Thermocouple Input/RS-232C Output
D1382 C Thermocouple Input/RS-485 Output

MODEL INPUT/OUTPUT

RTD Inputs

D1411 .00385 RTD Input/RS-232C Output
D1412 .00385 RTD Input/RS-485 Output
D1421 .00392 RTD Input/RS-232C Output
D1422 .00392 RTD Input/RS-485 Output
D1431 .00388 RTD Input/RS-232C Output
D1432 .00388 RTD Input/RS-485 Output
D1451 2252 Ω Thermistor Input/RS-232C Output
D1452 2252 Ω Thermistor Input/RS-485 Output
D1461 TD Thermistor Input/RS-232C Output
D1462 TD Thermistor Input/RS-485 Output

Bridge Inputs

D1511/D2511 30mV Bridge Input, 5V Excitation/RS-232C Output
D1512/D2512 30mV Bridge Input, 5V Excitation/RS-485 Output
D1521/D2521 30mV Bridge Input, 10V Excitation/RS-232C Output
D1522/D2522 30mV Bridge Input, 10V Excitation/RS-485 Output
D1531/D2531 100mV Bridge Input, 5V Excitation/RS-232C Output
D1532/D2532 100mV Bridge Input, 5V Excitation/RS-485 Output
D1541/D2541 100mV Bridge Input, 10V Excitation/RS-232C Output
D1542/D2542 100mV Bridge Input, 10V Excitation/RS-485 Output
D1551/D2551 1-6V Bridge Input, 8V Excitation/RS-232C Output
D1552/D2552 1-6V Bridge Input, 8V Excitation/RS-485 Output
D1561/D2561 1-6V Bridge Input, 10V Excitation/RS-232C Output
D1562/D2562 1-6V Bridge Input, 10V Excitation/RS-485 Output

Timer and Frequency Inputs

D1601/D2601 Frequency Input/RS-232C Output
D1602/D2602 Frequency Input/RS-485 Output
D1611/D2611 Timer Input/RS-232C Output
D1612/D2612 Timer Input/RS-485 Output
D1621 Event Counter/RS-232C Output
D1622 Event Counter/RS-485 Output
D1631/D2631 Accumulator, Frequency Input/RS-232C Output
D1632/D2632 Accumulator, Frequency Input/RS-485 Output
D1641/D2641 Accumulator, Timer Input/RS-232C Output
D1642/D2642 Accumulator, Timer Input/RS-485 Output

Digital Inputs/Outputs

D1701 7 Digital Inputs, 8 Digital Outputs/RS-232C Output
D1702 7 Digital Inputs, 8 Digital Outputs/RS-485 Output
D1711 15 Digital Inputs and/or Outputs/RS-232C Output
D1712 15 Digital Inputs and/or Outputs/RS-485 Output



Looking for more information?

Visit us on the web at <http://www.artisan-scientific.com> for more information:

- Price Quotations
- Drivers
- Technical Specifications, Manuals and Documentation

Artisan Scientific is Your Source for Quality New and Certified-Used/Pre-owned Equipment

- Tens of Thousands of In-Stock Items
- Hundreds of Manufacturers Supported
- Fast Shipping and Delivery
- Leasing / Monthly Rentals
- Equipment Demos
- Consignment

Service Center Repairs

Experienced Engineers and Technicians on staff in our State-of-the-art Full-Service In-House Service Center Facility

InstraView™ Remote Inspection

Remotely inspect equipment before purchasing with our Innovative InstraView™ website at <http://www.instraview.com>

We buy used equipment! We also offer credit for Buy-Backs and Trade-Ins

Sell your excess, underutilized, and idle used equipment. Contact one of our Customer Service Representatives today!

Talk to a live person: 888-88-SOURCE (888-887-6872) | Contact us by email: sales@artisan-scientific.com | Visit our website: <http://www.artisan-scientific.com>

Artisan Technology Group - Quality Instrumentation ... Guaranteed | (888) 88-SOURCE | www.artisan-tg.com



Artisan Technology Group is your source for quality new and certified-used/pre-owned equipment

- FAST SHIPPING AND DELIVERY
- TENS OF THOUSANDS OF IN-STOCK ITEMS
- EQUIPMENT DEMOS
- HUNDREDS OF MANUFACTURERS SUPPORTED
- LEASING/MONTHLY RENTALS
- ITAR CERTIFIED SECURE ASSET SOLUTIONS

SERVICE CENTER REPAIRS

Experienced engineers and technicians on staff at our full-service, in-house repair center

*InstraView*SM REMOTE INSPECTION

Remotely inspect equipment before purchasing with our interactive website at www.instraview.com ↗

WE BUY USED EQUIPMENT

Sell your excess, underutilized, and idle used equipment. We also offer credit for buy-backs and trade-ins. www.artisanng.com/WeBuyEquipment ↗

LOOKING FOR MORE INFORMATION?

Visit us on the web at www.artisanng.com ↗ for more information on price quotations, drivers, technical specifications, manuals, and documentation

Contact us: (888) 88-SOURCE | sales@artisanng.com | www.artisanng.com