



Artisan Technology Group is your source for quality new and certified-used/pre-owned equipment

- FAST SHIPPING AND DELIVERY
- TENS OF THOUSANDS OF IN-STOCK ITEMS
- EQUIPMENT DEMOS
- HUNDREDS OF MANUFACTURERS SUPPORTED
- LEASING/MONTHLY RENTALS
- ITAR CERTIFIED SECURE ASSET SOLUTIONS

SERVICE CENTER REPAIRS

Experienced engineers and technicians on staff at our full-service, in-house repair center

*InstraView*SM REMOTE INSPECTION

Remotely inspect equipment before purchasing with our interactive website at www.instraview.com ↗

WE BUY USED EQUIPMENT

Sell your excess, underutilized, and idle used equipment. We also offer credit for buy-backs and trade-ins. www.artisanng.com/WeBuyEquipment ↗

LOOKING FOR MORE INFORMATION?

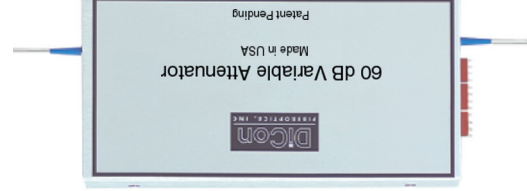
Visit us on the web at www.artisanng.com ↗ for more information on price quotations, drivers, technical specifications, manuals, and documentation

Contact us: (888) 88-SOURCE | sales@artisanng.com | www.artisanng.com

ATTENUATORS

50 DB VARIABLE ATTENUATOR

Dicon's 60 dB Variable Attenuator is a TTL-driven component that sets attenuation levels in the 0 to 60 dB range. The attenuation level is set using a high-precision motor with either the I²C standard interface or a proprietary Step-Up/Step-Down interface.



FEATURES

- Wide attenuation range
- Low back-reflection
- Low insertion loss
- Direct motor control or absolute attenuation setting

APPLICATIONS

60 dB Variable Attenuators can be used to adjust the power level in automated test systems. Applications include analog transmitter and receiver testing.



U.S. patented. Specifications subject to change. Copyright ©2001 Dicon Fiber Optics, Inc. All rights reserved.

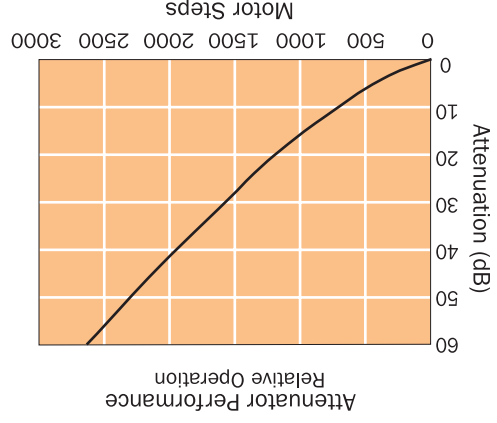
ATTENUATORS

SPECIFICATIONS¹

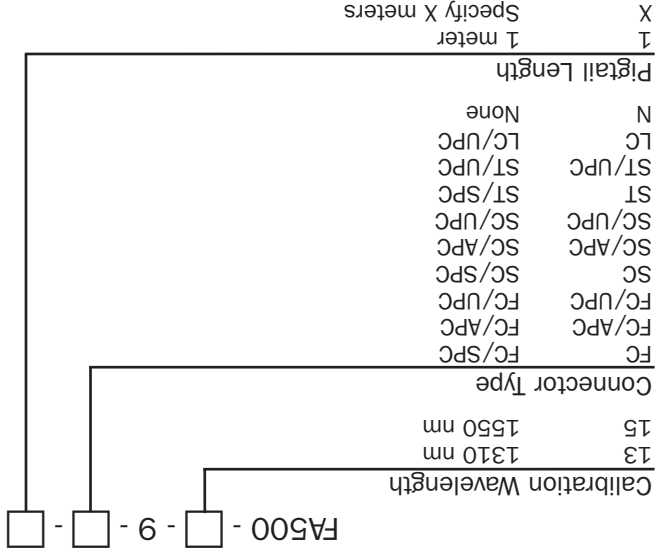
Attenuation range	0-30 dB max.
Resolution ²	0.12 dB max.
Repeatability ²	±0.1 dB max.
Absolute accuracy ^{2,3}	±0.2 dB max.
PD ⁴	0.1 dB max.
Insertion loss	0.6 dB typ., 1.5 dB max.
Back-reflection	-50 dB max.
Tuning speed	50 ms min., 1400 ms max.
Optical power ⁵	300 mW
Operating temperature	0°C to +50°C
Storage temperature	-20°C to +70°C
Humidity	40°C/90%RH/5 days
Power requirements	±12 VDC in, 350 mA max.
Fiber type ⁶	9/125 Corning SMF-28
Fiber jacket	0.9 mm tight buffer

1. All specifications referenced without connectors.
 2. For superior specifications, see Precision Variable Attenuator datasheet.
 3. At calibration wavelength.
 4. Measured at 1550 nm.
 5. High power version (2W) available as special order.
 6. For multimode fiber, see Precision Variable Attenuator datasheet.

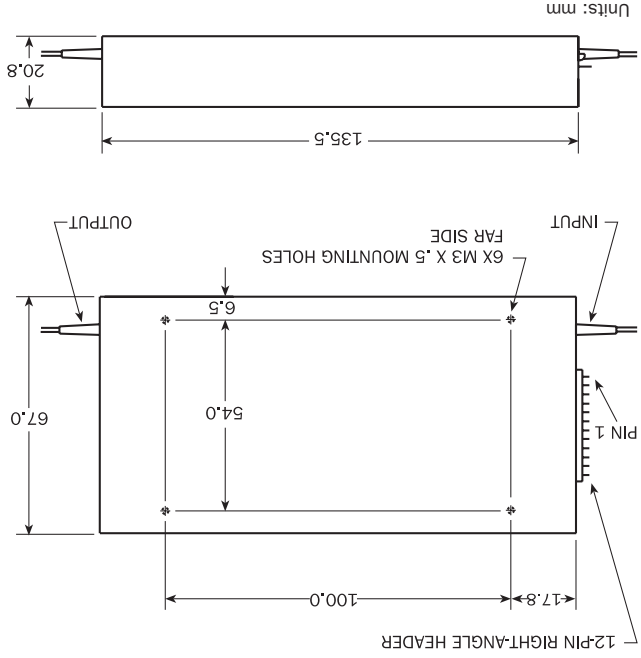
OPTICAL PERFORMANCE



ORDERING INFORMATION



HOUSING DIMENSIONS



Units: mm
 Electrical connector is 12-pin right-angle header (Molex part number 22-12-2124). Mate with Molex part number 22-01-3127 or equivalent.

ATTENUATORS



Artisan Technology Group is your source for quality new and certified-used/pre-owned equipment

- FAST SHIPPING AND DELIVERY
- TENS OF THOUSANDS OF IN-STOCK ITEMS
- EQUIPMENT DEMOS
- HUNDREDS OF MANUFACTURERS SUPPORTED
- LEASING/MONTHLY RENTALS
- ITAR CERTIFIED SECURE ASSET SOLUTIONS

SERVICE CENTER REPAIRS

Experienced engineers and technicians on staff at our full-service, in-house repair center

*InstraView*SM REMOTE INSPECTION

Remotely inspect equipment before purchasing with our interactive website at www.instraview.com ↗

WE BUY USED EQUIPMENT

Sell your excess, underutilized, and idle used equipment. We also offer credit for buy-backs and trade-ins. www.artisanng.com/WeBuyEquipment ↗

LOOKING FOR MORE INFORMATION?

Visit us on the web at www.artisanng.com ↗ for more information on price quotations, drivers, technical specifications, manuals, and documentation

Contact us: (888) 88-SOURCE | sales@artisanng.com | www.artisanng.com