



Artisan Technology Group is your source for quality new and certified-used/pre-owned equipment

- FAST SHIPPING AND DELIVERY
- TENS OF THOUSANDS OF IN-STOCK ITEMS
- EQUIPMENT DEMOS
- HUNDREDS OF MANUFACTURERS SUPPORTED
- LEASING/MONTHLY RENTALS
- ITAR CERTIFIED SECURE ASSET SOLUTIONS

SERVICE CENTER REPAIRS

Experienced engineers and technicians on staff at our full-service, in-house repair center

*InstraView*SM REMOTE INSPECTION

Remotely inspect equipment before purchasing with our interactive website at www.instraview.com ↗

WE BUY USED EQUIPMENT

Sell your excess, underutilized, and idle used equipment. We also offer credit for buy-backs and trade-ins. www.artisanng.com/WeBuyEquipment ↗

LOOKING FOR MORE INFORMATION?

Visit us on the web at www.artisanng.com ↗ for more information on price quotations, drivers, technical specifications, manuals, and documentation

Contact us: (888) 88-SOURCE | sales@artisanng.com | www.artisanng.com

DILLON

SnapShot™ Single Column Motorized Test Stand

Like the click of a camera, The Dillon SnapShot™ allows you to capture a moment in time. It provides an accurate picture of how materials or products respond at any given point during compression or tension loading.

The SnapShot, coupled with a Dillon Force Gauge and good fixtures, constitutes a simple and economical, yet powerful testing system.

220 lbf / 1,000 N / 100 kg
load capacity

Crosshead speed range from
0.5 – 19.7 in/min (12.5 – 500
mm/min)

Single cycle test mode with
full-speed crosshead return

Auto-travel reverse on alarm
point or sample break

Headroom up to 13 in.
(330 mm)

Pre-settable upper & lower
travel limits

Indication of crosshead
speed & travel direction

CE marked



Compression testing



*SnapShot completing
tension test with
optional anvil plate,
force gauge and grips.*



The SnapShot coupled with an Advanced Force Gauge, DataPlot software and a cable assembly, lets you download data to a PC in real time. This information can be saved and exported. This can be a particularly cost-effective option for routine tests.

Specifications

Load capacity: 220 lbf (100 kgf, 1,000 N)

Power consumption: 60 watts (maximum)

Weight (stand only): 39 lb (18kg)

Crosshead motion:

Travel range – 11.4 in (290 mm)

Maximum daylight – 17.3 in (440 mm)

Max. headroom (as illustrated) – 13.0 in (330 mm)

Speed range: 0.5 – 19.7 in/min (12.5 – 500 mm/min)

Speed accuracy: ±10% of indicated speed

Speed indicated on stand: Graduated dial

Direction of travel indicated on stand: By LED

Limit switch repeatability: <0.02 in (0.5 mm)

(With constant speed setting)

Over-run at top speed: <0.08 in (2 mm)

Operating modes: Manual, single cycle with full-speed crosshead return

Reverse on alarm point: Yes, with AFG or AFTI, and cable

Reverse on sample break: Yes, with AFG or AFTI, and cable

Accessories

Force gauge

S-beam loadcell, tension block module & AFTI

Reverse on alarm cable (AFG/AFTI to SnapShot)

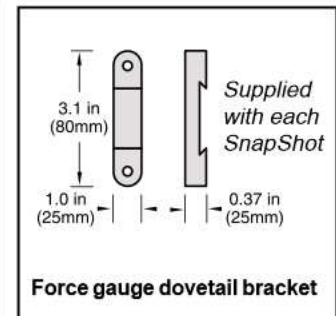
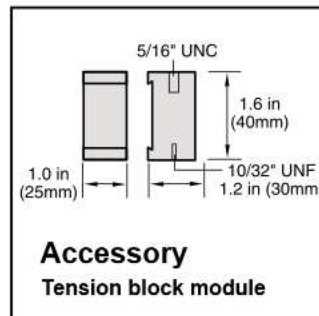
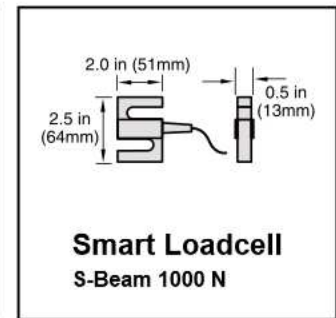
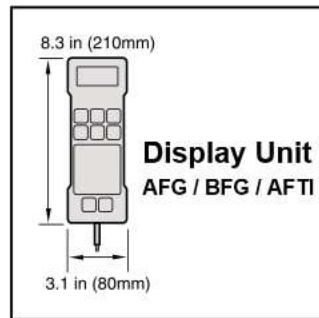
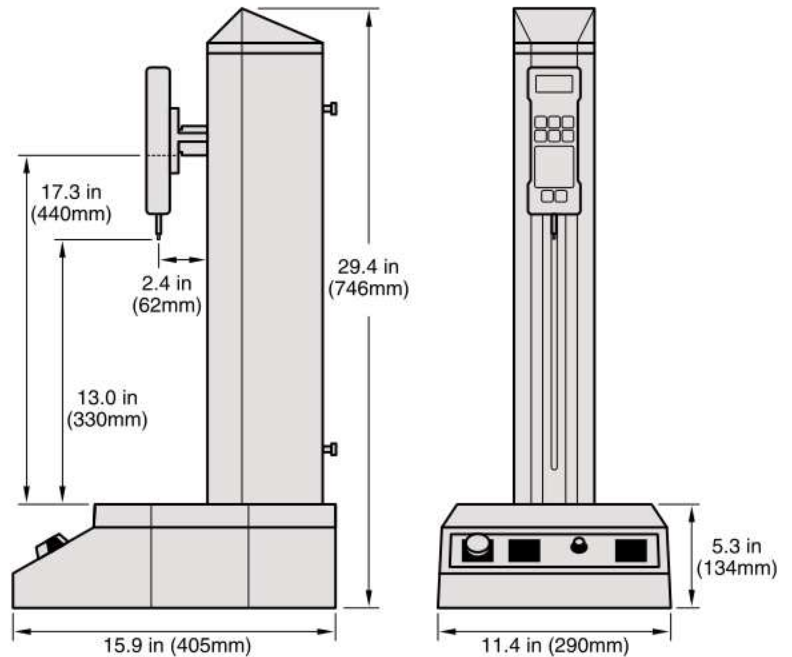
DataPlot logging/plotting PC software

Anvil plate:

6.3 in (160 mm) x 3.94 in (100 mm)

Female threads $^{10}/_{32}$ " UNF, $^{5}/_{16}$ " UNC

Dimensions



Dynamic Measurement Systems, LLC
Sales, Service, Rentals
Web: www.dynameasure.com
email: dyna@dynameasure.com
Address: 16515 Hedgecroft, Suite 320
Houston, TX 77060
Phone: 281.405.0606
Fax: 281.405.0303



DILLON

Force Measurement Products & Systems



Artisan Technology Group is your source for quality new and certified-used/pre-owned equipment

- FAST SHIPPING AND DELIVERY
- TENS OF THOUSANDS OF IN-STOCK ITEMS
- EQUIPMENT DEMOS
- HUNDREDS OF MANUFACTURERS SUPPORTED
- LEASING/MONTHLY RENTALS
- ITAR CERTIFIED SECURE ASSET SOLUTIONS

SERVICE CENTER REPAIRS

Experienced engineers and technicians on staff at our full-service, in-house repair center

*InstraView*SM REMOTE INSPECTION

Remotely inspect equipment before purchasing with our interactive website at www.instraview.com ↗

WE BUY USED EQUIPMENT

Sell your excess, underutilized, and idle used equipment. We also offer credit for buy-backs and trade-ins. www.artisanng.com/WeBuyEquipment ↗

LOOKING FOR MORE INFORMATION?

Visit us on the web at www.artisanng.com ↗ for more information on price quotations, drivers, technical specifications, manuals, and documentation

Contact us: (888) 88-SOURCE | sales@artisanng.com | www.artisanng.com