



## Artisan Technology Group is your source for quality new and certified-used/pre-owned equipment

- FAST SHIPPING AND DELIVERY
- TENS OF THOUSANDS OF IN-STOCK ITEMS
- EQUIPMENT DEMOS
- HUNDREDS OF MANUFACTURERS SUPPORTED
- LEASING/MONTHLY RENTALS
- ITAR CERTIFIED SECURE ASSET SOLUTIONS

### SERVICE CENTER REPAIRS

Experienced engineers and technicians on staff at our full-service, in-house repair center

### *InstraView*<sup>SM</sup> REMOTE INSPECTION

Remotely inspect equipment before purchasing with our interactive website at [www.instraview.com](http://www.instraview.com) ↗

### WE BUY USED EQUIPMENT

Sell your excess, underutilized, and idle used equipment. We also offer credit for buy-backs and trade-ins. [www.artisanng.com/WeBuyEquipment](http://www.artisanng.com/WeBuyEquipment) ↗

### LOOKING FOR MORE INFORMATION?

Visit us on the web at [www.artisanng.com](http://www.artisanng.com) ↗ for more information on price quotations, drivers, technical specifications, manuals, and documentation

**Contact us:** (888) 88-SOURCE | [sales@artisanng.com](mailto:sales@artisanng.com) | [www.artisanng.com](http://www.artisanng.com)

# DR95 FLC Driver



## Features

Low cost

Optimized waveform for FLC devices

TTL/CMOS drive and gate input

20 minute standby power down

Gate input for disabling the drive signal

Compact design

Requires an external signal source

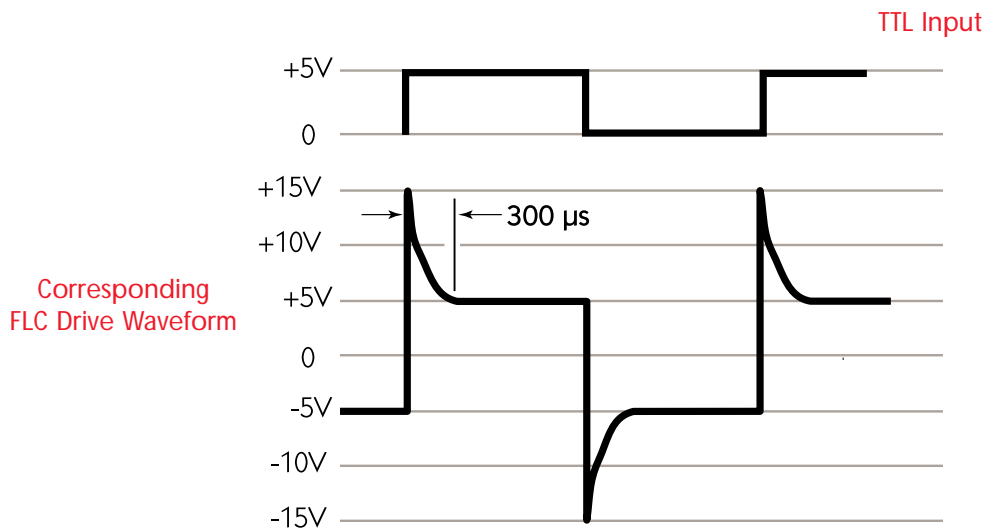
Displaytech's electronic drivers are designed specifically for driving Ferroelectric Liquid Crystal shutters and polarization rotators. The output waveform has been carefully optimized to yield the fastest possible FLC transition time while maintaining maximum FLC life. Sufficient drive current is available to allow simultaneous operation of several large FLC devices with a combined area of up to 10 cm<sup>2</sup>.

Displaytech offers two FLC Driver models: the DR50 and DR95. The DR95 is a low cost TTL/CMOS controlled FLC Driver. It is used in conjunction with external signal sources and lab generators to form precision FLC drive pulses synchronized to an external logic level or analog signal.

The extended range Schmitt trigger circuitry makes it possible to use the DR95 with a variety of signal sources including standard 5 V TTL CMOS, 6-15V CMOS, and analog signals with a  $\pm 20$  V maximum range.

Displaytech's DR95 FLC Driver output amplifier uses high-speed MOSFET devices and a pair of precision voltage references to achieve a high degree of symmetry, balance, and accuracy over time and temperature ranges. It is capable of producing over one Amp of drive current and its output is short circuit protected.

The DR95 FLC Driver may be powered from 105 - 135 VAC at 50 - 60 Hz or from 210 -270 VAC at 50 - 60 Hz and features a standard I.E.C. detachable power cord.



# Specifications

Indicators are provided for FLC device status.

## PARAMETERS

AC line input voltage:

External input voltage:

Gate input voltage:

Power consumption:

FLC drive output current:

Operating temperature:

Storage temperature:

Humidity:

## Guaranteed

135 VAC or 270 VAC

$\pm 20$  V (=2.5 V threshold)

$\pm 20$  V (=2.5 V threshold)

15 watts

$\pm 1$  AMP (peak)

0° to +60° C

-25° to +70° C

0 to 95% RH non-condensing

Displaytech DR95 FLC drivers are covered by a limited one year warranty.

P-DR95-1A



## Artisan Technology Group is your source for quality new and certified-used/pre-owned equipment

- FAST SHIPPING AND DELIVERY
- TENS OF THOUSANDS OF IN-STOCK ITEMS
- EQUIPMENT DEMOS
- HUNDREDS OF MANUFACTURERS SUPPORTED
- LEASING/MONTHLY RENTALS
- ITAR CERTIFIED SECURE ASSET SOLUTIONS

### SERVICE CENTER REPAIRS

Experienced engineers and technicians on staff at our full-service, in-house repair center

### *InstraView*<sup>SM</sup> REMOTE INSPECTION

Remotely inspect equipment before purchasing with our interactive website at [www.instraview.com](http://www.instraview.com) ↗

### WE BUY USED EQUIPMENT

Sell your excess, underutilized, and idle used equipment. We also offer credit for buy-backs and trade-ins. [www.artisanng.com/WeBuyEquipment](http://www.artisanng.com/WeBuyEquipment) ↗

### LOOKING FOR MORE INFORMATION?

Visit us on the web at [www.artisanng.com](http://www.artisanng.com) ↗ for more information on price quotations, drivers, technical specifications, manuals, and documentation

**Contact us:** (888) 88-SOURCE | [sales@artisanng.com](mailto:sales@artisanng.com) | [www.artisanng.com](http://www.artisanng.com)