



Artisan Scientific

QUALITY INSTRUMENTATION ... GUARANTEED

Looking for more information?

Visit us on the web at <http://www.artisan-scientific.com> for more information:

- Price Quotations
- Drivers
- Technical Specifications, Manuals and Documentation

Artisan Scientific is Your Source for Quality New and Certified-Used/Pre-owned Equipment

- Tens of Thousands of In-Stock Items
- Hundreds of Manufacturers Supported
- Fast Shipping and Delivery
- Leasing / Monthly Rentals
- Equipment Demos
- Consignment

Service Center Repairs

Experienced Engineers and Technicians on staff in our State-of-the-art Full-Service In-House Service Center Facility

InstraView™ Remote Inspection

Remotely inspect equipment before purchasing with our Innovative InstraView™ website at <http://www.instraview.com>

We buy used equipment! We also offer credit for Buy-Backs and Trade-Ins

Sell your excess, underutilized, and idle used equipment. Contact one of our Customer Service Representatives today!

Talk to a live person: 888-88-SOURCE (888-887-6872) | Contact us by email: sales@artisan-scientific.com | Visit our website: <http://www.artisan-scientific.com>

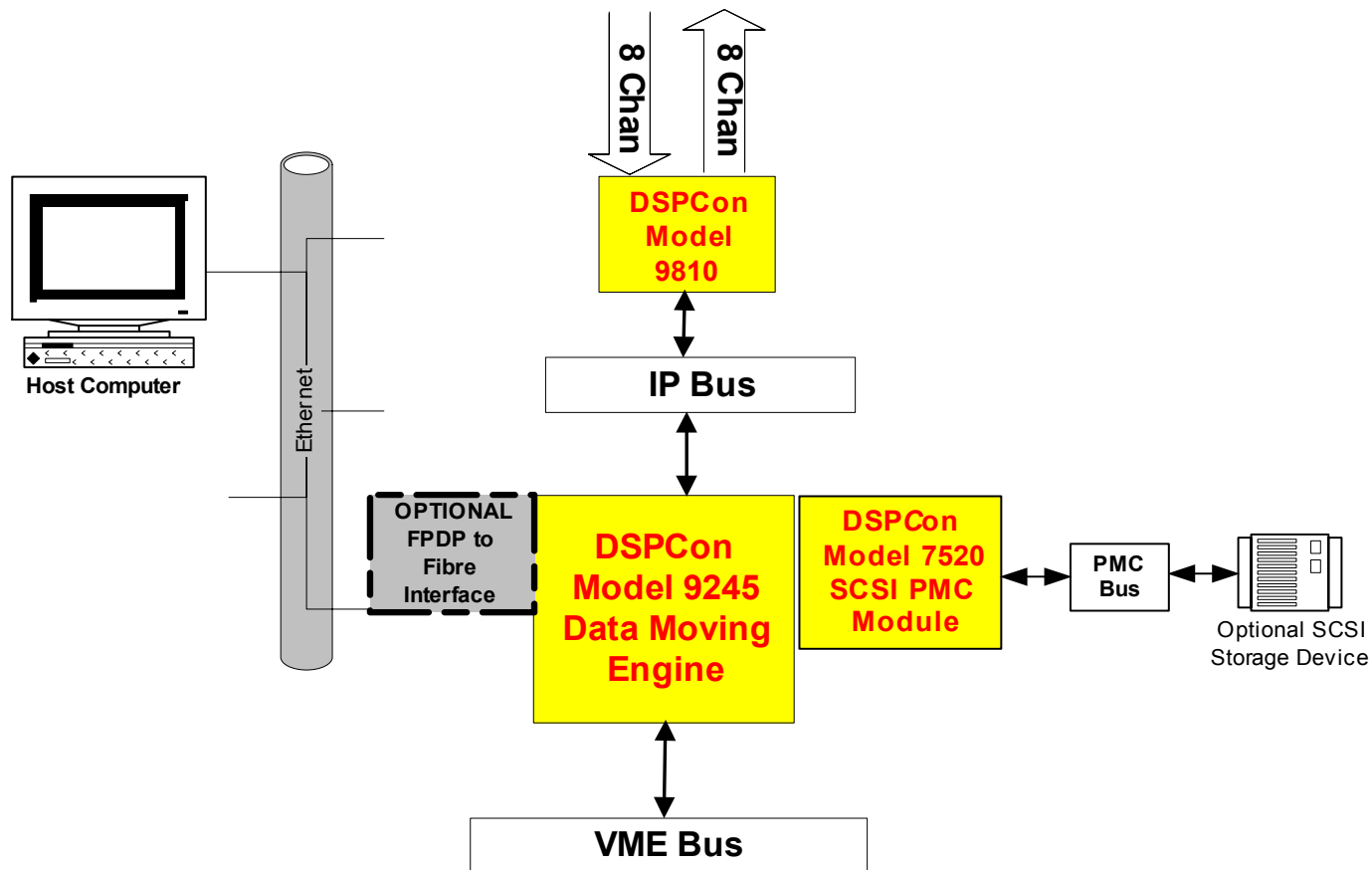
System 2811

*Audio Digital Recorder and Playback
System with VoIP Option*



Acquiring, Processing and Managing the World's Data.

System Block Diagram



What is System 2811?

An audio data acquisition system that provides the ability to acquire, record and playback 8 channels of data with a single 6U VME card.

Features

- Allows for operator selection of data rate via software control
- With the exception of the storage device and host computer, 100% DSPCon COTS components
- User software allows operator to control all system functions
- Robust enough to use as stand-alone system
- Diverse enough to be used as a system-building core
- Optional device drivers and compression technology for VoIP capability

Features (cont'd)

- Ethernet connection from data acquisition unit to a host computer
- Eight channels of analog I/O (A/D and D/A)
 - All channels are acquired and played back at 8 kHz to 100 kHz
 - All channels are sampled simultaneously
- Minimum sampling rate of 8,000 samples/second
- Sample rates selectable under software control
- All required firmware to record and playback data to/from host computer is contained in flash on DSP baseboard
- Data buffering for high-priority network traffic

Hardware Overview

- Host computer
- DSP baseboard
- 8-channel, 16-bit A/D and D/A card with internal clock
- SCSI PMC Module for data transfer
- Optional SCSI Storage Device

DSPCon Hardware



- Core of system is DSP baseboard containing two PMC interfaces, an IP interface and a 10/100 Mbit Ethernet interface.
- IP site is populated with 8-channel, 16-bit A/D and D/A card with an internal clock.
- SCSI PMC Module for data transfer to recording device.
- Unpopulated PMC site for future system configuration modifications.

Software

- Delivered with a sockets-based, C- language API that runs on the host computer and allows for the following functions:
 - Start and stop record
 - Set the record and playback A/D rates
 - Start and stop playback
 - Select the number of active channels
 - Select the sampled width on each channel

Options

- Device drivers and compression technology for VoIP capability
- Variety of user-selectable host bases, including Windows XP or Vista, QNX, Linux, Sun, UNIX, etc.
- Ethernet or Fibre host computer interface
- User-selectable recording devices, including RAID, JBOD, Tape and DAT
- Various memory options for baseboard module
- Modular design facilitates “system stacking” to increase channel count
- FPDP to Fibre channel interface

Contact Information

DSPCon, Inc.
380 Foothill Rd.
Bridgewater, NJ 08807
888-DSP-CON8
Fax: 908-722-3259
E-mail: info@dspcon.com
Website: www.dspcon.com



Acquiring, Processing and Managing the World's Data.



Artisan Scientific

QUALITY INSTRUMENTATION ... GUARANTEED

Looking for more information?

Visit us on the web at <http://www.artisan-scientific.com> for more information:

- Price Quotations
- Drivers
- Technical Specifications, Manuals and Documentation

Artisan Scientific is Your Source for Quality New and Certified-Used/Pre-owned Equipment

- Tens of Thousands of In-Stock Items
- Hundreds of Manufacturers Supported
- Fast Shipping and Delivery
- Leasing / Monthly Rentals
- Equipment Demos
- Consignment

Service Center Repairs

Experienced Engineers and Technicians on staff in our State-of-the-art Full-Service In-House Service Center Facility

InstraView™ Remote Inspection

Remotely inspect equipment before purchasing with our Innovative InstraView™ website at <http://www.instraview.com>

We buy used equipment! We also offer credit for Buy-Backs and Trade-Ins

Sell your excess, underutilized, and idle used equipment. Contact one of our Customer Service Representatives today!

Talk to a live person: 888-88-SOURCE (888-887-6872) | Contact us by email: sales@artisan-scientific.com | Visit our website: <http://www.artisan-scientific.com>