



## Artisan Technology Group is your source for quality new and certified-used/pre-owned equipment

- FAST SHIPPING AND DELIVERY
- TENS OF THOUSANDS OF IN-STOCK ITEMS
- EQUIPMENT DEMOS
- HUNDREDS OF MANUFACTURERS SUPPORTED
- LEASING/MONTHLY RENTALS
- ITAR CERTIFIED SECURE ASSET SOLUTIONS

### SERVICE CENTER REPAIRS

Experienced engineers and technicians on staff at our full-service, in-house repair center

### *InstraView*<sup>SM</sup> REMOTE INSPECTION

Remotely inspect equipment before purchasing with our interactive website at [www.instraview.com](http://www.instraview.com) ↗

### WE BUY USED EQUIPMENT

Sell your excess, underutilized, and idle used equipment. We also offer credit for buy-backs and trade-ins. [www.artisanng.com/WeBuyEquipment](http://www.artisanng.com/WeBuyEquipment) ↗

### LOOKING FOR MORE INFORMATION?

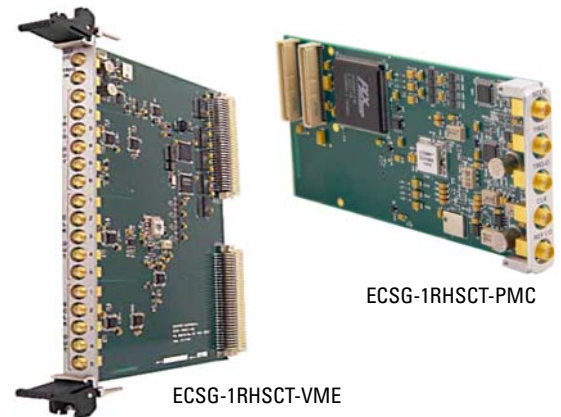
Visit us on the web at [www.artisanng.com](http://www.artisanng.com) ↗ for more information on price quotations, drivers, technical specifications, manuals, and documentation

**Contact us:** (888) 88-SOURCE | [sales@artisanng.com](mailto:sales@artisanng.com) | [www.artisanng.com](http://www.artisanng.com)

# ECSG-1RHSCT Low Phase Noise A/D Clock Generators

## One-Reference High-Speed Clock Transmitters

- High-quality clock output
- For board-level, mixed-signal products
- Choice of standard VME or PMC form factor



The Echotek™ Series ECSG-1RHSCT Low Phase Noise A/D Clock Generators from Mercury Computer Systems are one-reference high-speed clock transmitters for distribution to board-level, mixed-signal products such as analog-to-digital converters (ADC), digital-to-analog converters (DAC), digital receivers, and digital upconverters. The VME version has five high-speed clock output connectors; the PMC version has two. The clock source is generated using an ADF4113 RF PLL frequency synthesizer driving a voltage-controlled oscillator (VCO). VCOs are available in variable ranges.

### Features

- Generates high-quality clock output, frequency is VCO dependent
- Generates a divided slow clock output: high-speed clock divided by 12 to 1024 in steps of 4
- Outputs have 50% duty cycle
- External reference input to PLL or 10-MHz onboard reference
- Trigger output aligned to clock rising edge, based on an external trigger input
- Programmable trigger width: 6 to 512 clocks wide in steps of 2
- Choice of 6U VME or PMC form factor
- PMC size has PCI Version 2.1-compliant bus interface
- PCI interface supports 3.3V and 5V I/O

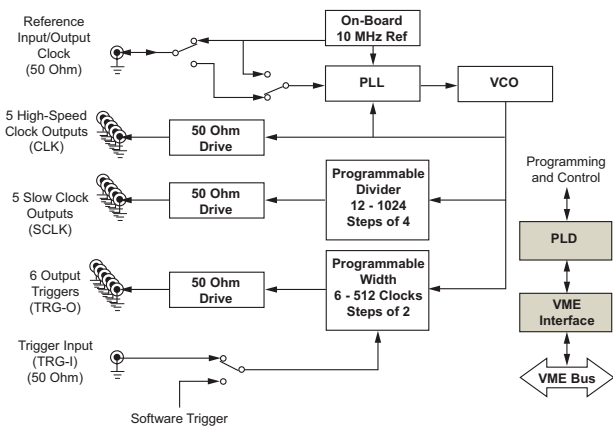


Figure 1. ECSG-1RHSCT-VME functional block diagram

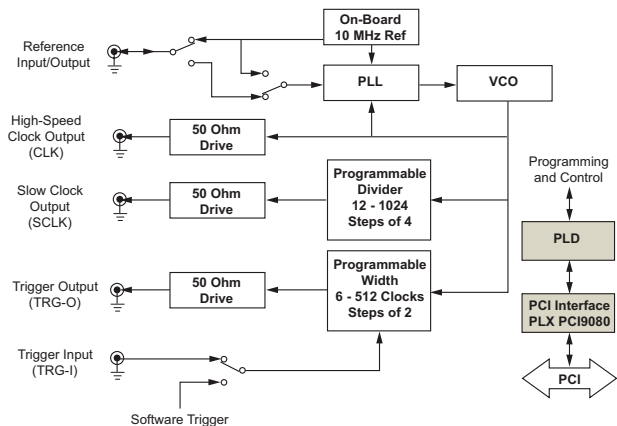


Figure 2. ECSG-1RHSCT-PMC functional block diagram

## Ordering Information

Model	Part Number	Options
ECSG-1RHSCT-VME	12-00153/CC585	1.48 GHz to 1.58 GHz
ECSG-1RHSCT-VME	12-00153/CC586	980 MHz to 1.08 GHz
ECSG-1RHSCT-VME	12-00153/CC621	450 MHz to 600 MHz
ECSG-1RHSCT-PMC	12-0101/CC421	10 MHz oscillator, 1487 to 1587 MHz VCO

## Specifications

Ruggedization Level	Commercial	Extended Temperature
Temperature		
Operating	0°C to 55°C with 300 ft/min airflow	-20°C to +65°C with 300 ft/min airflow
Storage	-50°C to +85°C	-50°C to +85°C
Vibration	0.002g <sup>2</sup> /Hz from 10 to 2000 Hz random and 2g sinusidal from 5 Hz to 500 Hz	0.002g <sup>2</sup> /Hz from 10 to 2000 Hz random and 2g sinusidal from 5 Hz to 500 Hz
Shock	20g peak sawtooth, 11 ms duration	20g peak sawtooth, 11 ms duration
Humidity	Up to 95% RH	Up to 95% RH with varying temperature, 10 cycles, 240 hr
Cooling	Commercial grade, cooled by blown air, for use in benign environments and software development applications	Similar to standard but conformally coated and temperature characterized

Echotek and Challenges Drive Innovation are trademarks of Mercury Computer Systems, Inc. Other products mentioned may be trademarks or registered trademarks of their respective holders. Mercury Computer Systems, Inc. believes this information is accurate as of its publication date and is not responsible for any inadvertent errors. The information contained herein is subject to change without notice.

Copyright © 2007 Mercury Computer Systems, Inc.

368.01E-0307-echo1rhsctds



### Corporate Headquarters

199 Riverneck Road  
Chelmsford, MA 01824-2820 USA  
+1 (978) 967-1401 • +1 (866) 627-6951  
Fax +1 (978) 256-3599  
[www.mc.com](http://www.mc.com)

### Worldwide Locations

Mercury Computer Systems has R&D, support and sales locations in France, Germany, Japan, the United Kingdom and the United States.

For office locations and contact information, please call the corporate headquarters or visit our Web site at [www.mc.com](http://www.mc.com).



## Artisan Technology Group is your source for quality new and certified-used/pre-owned equipment

- FAST SHIPPING AND DELIVERY
- TENS OF THOUSANDS OF IN-STOCK ITEMS
- EQUIPMENT DEMOS
- HUNDREDS OF MANUFACTURERS SUPPORTED
- LEASING/MONTHLY RENTALS
- ITAR CERTIFIED SECURE ASSET SOLUTIONS

### SERVICE CENTER REPAIRS

Experienced engineers and technicians on staff at our full-service, in-house repair center

### *InstraView*<sup>SM</sup> REMOTE INSPECTION

Remotely inspect equipment before purchasing with our interactive website at [www.instraview.com](http://www.instraview.com) ↗

### WE BUY USED EQUIPMENT

Sell your excess, underutilized, and idle used equipment. We also offer credit for buy-backs and trade-ins. [www.artisanng.com/WeBuyEquipment](http://www.artisanng.com/WeBuyEquipment) ↗

### LOOKING FOR MORE INFORMATION?

Visit us on the web at [www.artisanng.com](http://www.artisanng.com) ↗ for more information on price quotations, drivers, technical specifications, manuals, and documentation

**Contact us:** (888) 88-SOURCE | [sales@artisanng.com](mailto:sales@artisanng.com) | [www.artisanng.com](http://www.artisanng.com)