



Artisan Technology Group is your source for quality new and certified-used/pre-owned equipment

- FAST SHIPPING AND DELIVERY
- TENS OF THOUSANDS OF IN-STOCK ITEMS
- EQUIPMENT DEMOS
- HUNDREDS OF MANUFACTURERS SUPPORTED
- LEASING/MONTHLY RENTALS
- ITAR CERTIFIED SECURE ASSET SOLUTIONS

SERVICE CENTER REPAIRS

Experienced engineers and technicians on staff at our full-service, in-house repair center

*InstraView*SM REMOTE INSPECTION

Remotely inspect equipment before purchasing with our interactive website at www.instraview.com ↗

WE BUY USED EQUIPMENT

Sell your excess, underutilized, and idle used equipment. We also offer credit for buy-backs and trade-ins. www.artisanng.com/WeBuyEquipment ↗

LOOKING FOR MORE INFORMATION?

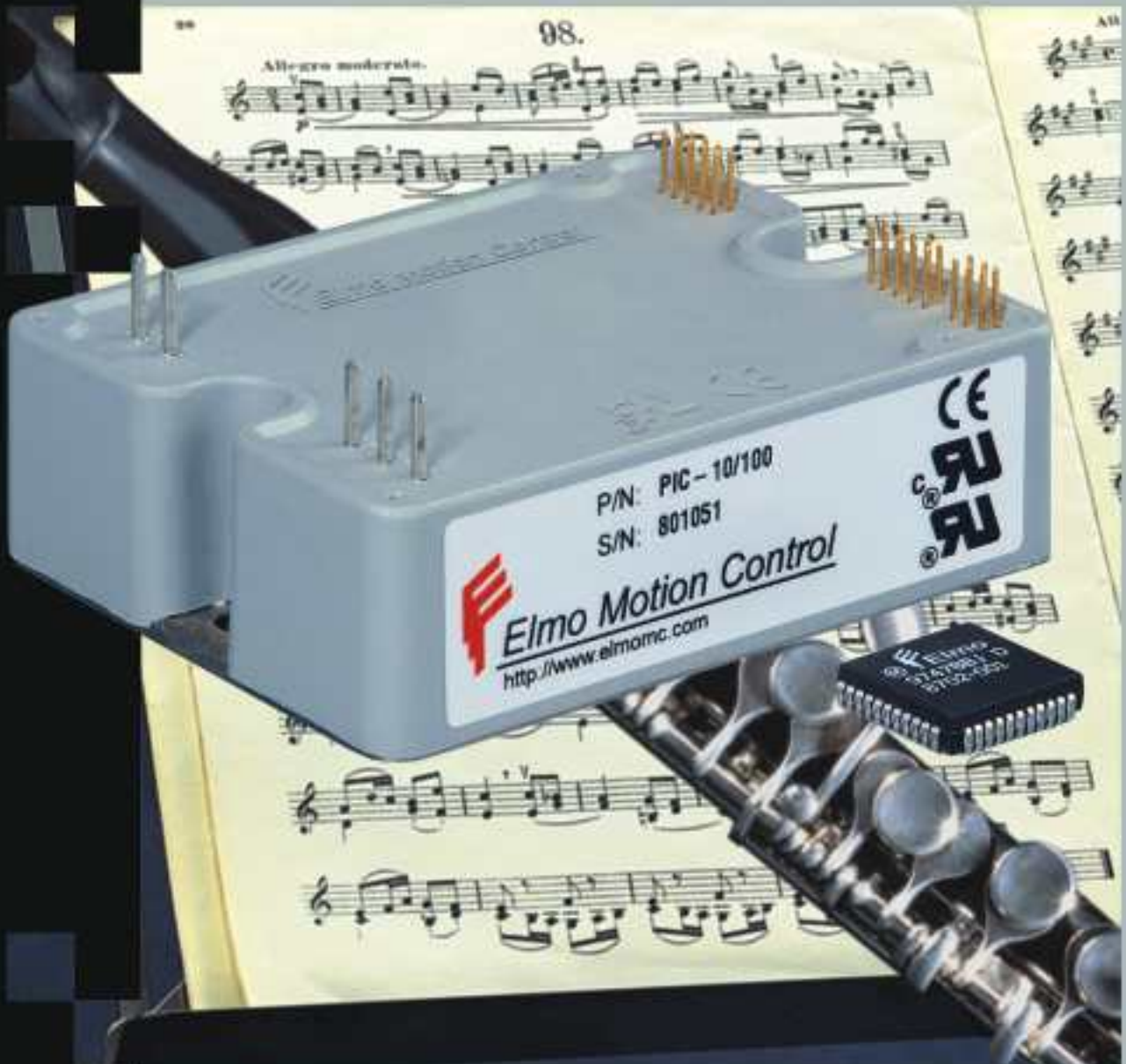
Visit us on the web at www.artisanng.com ↗ for more information on price quotations, drivers, technical specifications, manuals, and documentation

Contact us: (888) 88-SOURCE | sales@artisanng.com | www.artisanng.com

When Every Movement Counts...

PICCOLO

Servo amplifier for brushless motors



Elmo Motion Control
www.elmomc.com

General Description

The PICCOLO series of miniature servo amplifiers for brushless DC Motors is designed for motion systems where the motor's trapezoidal commutation is performed by the amplifier. The PICCOLO is a trimmerless design for the OEM market and may be mounted directly on the customers PC board as a component. The product meets UL 508c and the relevant CE regulations.

The power stage is implemented on a single ceramic substrate. This design enables very high thermal conductivity, high current carrying capacity, better EMC and good mechanical strength. The control section is implemented by dedicated custom ICs that contribute to higher reliability because fewer components are used and improved performance due to the high level of integration.

Standard Features

- Operation in current mode
- Internal DC to DC converter enables operation from one single supply
- Two differential command reference inputs
- Zero deadband
- Excellent linearity
- External continuous and peak current limit adjustments
- Current feedback multiplier for low current motors
- Remote current gain control
- Enable input
- 3 motor current monitors
- Status indication by 4 open collector opto couplers
- Latch mode of the protective functions
- Ultra-compact size
- Interface via solder pins
- Package: Plated copper base plate, plastic housing, UL94V0 recognized

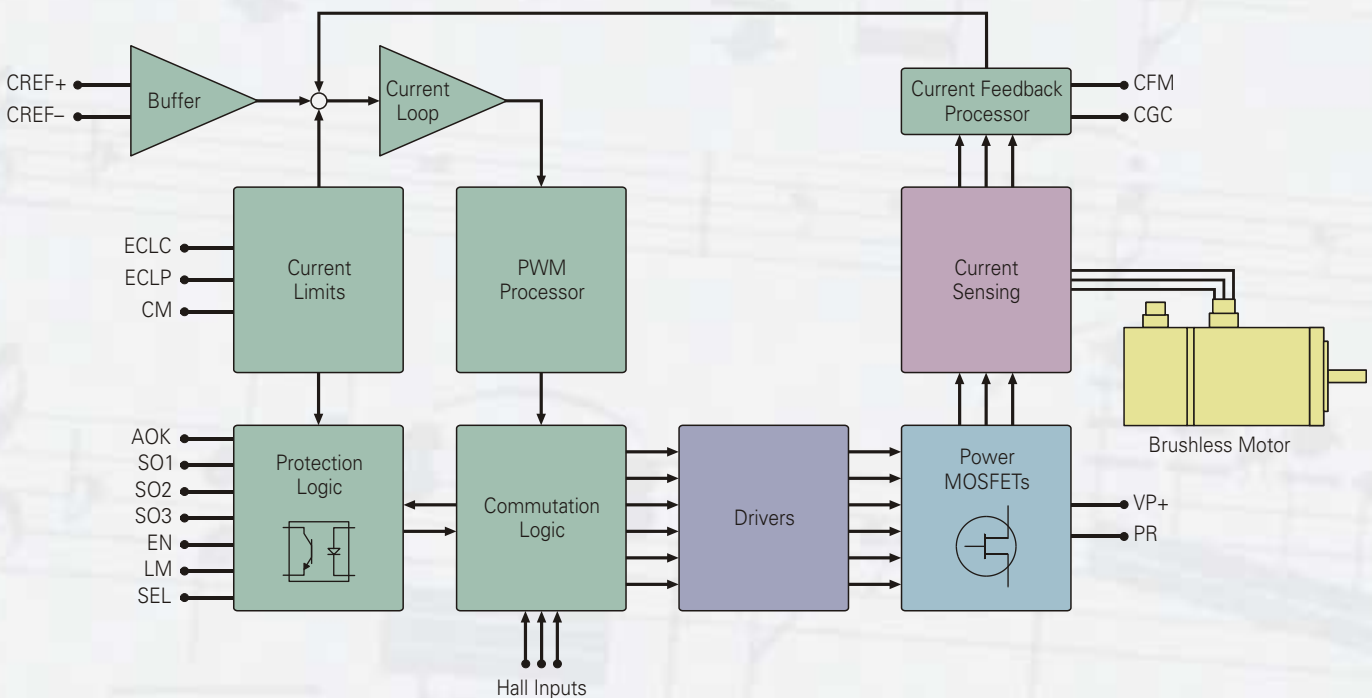
Optional Features

- High temperature range versions for military and avionics applications are available

Protective Features

- Short between the motor power outputs
- Short between each motor power output and the power input return
- Excess temperature
- Under/Over voltage
- Failure of the internal power supplies

Block Diagram



Control Connector J1

Current command input,
External continuous current limit,
External peak current limit,
Current monitor,
Current gain control for low
inductance motors,
Current feedback multiplier for low
current motors

Control Connector J2

Hall sensor format selection,
Latch mode input,
Amplifier enable input,
Amplifier OK indication output,
3 bit status indication output

Power Source

DC power input from a central
isolated power supply or battery
See details on last page

Motor Output

Motor power output phases,
Nominal output current up to 25A,
Peak output current up to 50A

Control Connector J3

Hall sensor connections
Hall sensor supply voltage



Mounting

The unit should be mounted to an external
heat sink for full output power ratings
Max. case temperature 87°C (188°F)

Accessories

PIC-STARTER

The PIC-STARTER is a special interface board designed to facilitate a fast startup and evaluation of the PICCOLO. This add on board includes screw type terminals for all connections, as well as four status LED's and sockets for current limiting and input scaling resistors. DIP switches are provided to enable the user to quickly select amplifier functions. The power pins must be soldered while the signal pins simply plug in. The starter board has the same footprint as the PICCOLO providing the convenience of DIP switches, yet still allowing the user to externally influence all the control functions.



PIC-VELOCITY

The PIC-VELOCITY extends the PICCOLO line by adding a velocity loop daughter board. The PIC-VELOCITY permits operation in current or velocity mode. Velocity mode can utilize either encoder or Hall sensor feedback. The PIC-VELOCITY incorporates forward and reverse limit switch inputs, a full array of diagnostic LED's and additional capacitance on the DC bus. DIP switches are provided for selecting functions such as CGC, CFM, Latch mode, directional limits and amplifier enable. It also includes socketed components for adjusting continuous and peak current limits, command scaling, feedback scaling and velocity loop tuning.



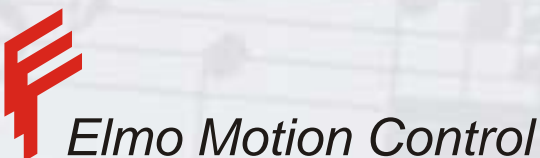
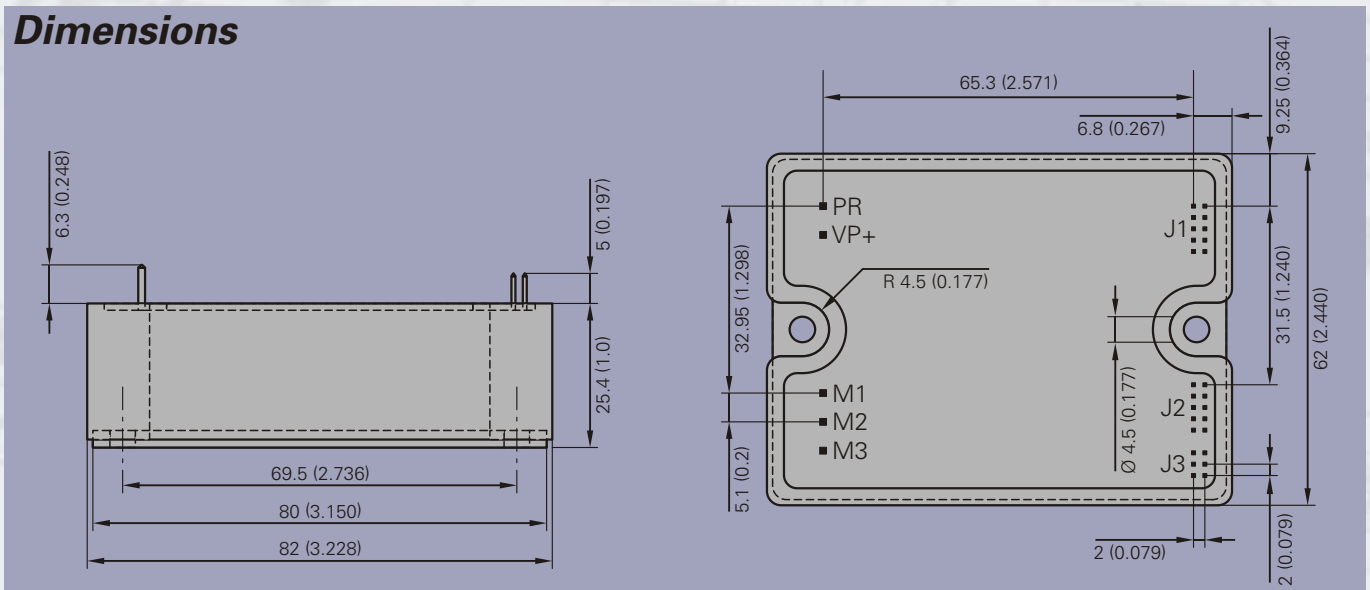
Technical Specifications

Power Ratings

Model		PIC 5/55	PIC 15/55	PIC 25/50	PIC 3/100	PIC 10/100	PIC 15/100	PIC 2/200	PIC 6/200	PIC 15/200
Supply voltage min.	[VDC]	10	10	10	20	20	20	40	40	40
Supply voltage max.	[VDC]	56	56	49	96	96	96	196	196	196
Continuous output current	[A]	5	15	25	3.3	10	15	2.25	6	15
Peak output current	[A]	10	30	50	6.6	20	30	4.5	12	30
PWM switching frequency	[kHz]	32 (on the motor)								
Switching method		Advanced unipolar PWM								
Current loop bandwidth	[kHz]	3								
Output voltage	[VDC]	>93% V_{IN}								
Ambient temperature*	[°C] (°F)	0...60 (32...140)								
Max. case temperature	[°C] (°F)	87 (188)								
Storage temperature	[°C] (°F)	-40...100 (-40...212)								
Overall dimensions	[mm] (inch)	82 x 62 x 25.4 (3.228 x 2.440 x 1.00)								
Weight	[g] (oz)	230 (8.1)								

*Optional operating ambient temperature range: -45...85°C (-49...185°F). For ratings please consult the factory.

Dimensions



Visit us on the web at www.elmomc.com

Elmo Motion Control Ltd., 64, Gisin Street, Petah Tikva 49103, Israel
 Elmo Motion Control Inc., 900 (H) River St., Kennedy Ind. Park, Windsor, CT 06095, USA
 Elmo Motion Control Ltd., Stanserstrasse 7, 6362 Stansstad, Switzerland
 Elmo Motion Control GmbH, Steinbeisstrasse 41, 78056 Villingen-Schwenningen, Germany

Phone +972-3-929-2300 Fax +972-3-929-2322
 Phone +1-860-683-0095 Fax +1-860-683-0336
 Phone +41-41-6100775 Fax +41-41-6100778
 Phone +49-7720-857760 Fax +49-7720-857770



Artisan Technology Group is your source for quality new and certified-used/pre-owned equipment

- FAST SHIPPING AND DELIVERY
- TENS OF THOUSANDS OF IN-STOCK ITEMS
- EQUIPMENT DEMOS
- HUNDREDS OF MANUFACTURERS SUPPORTED
- LEASING/MONTHLY RENTALS
- ITAR CERTIFIED SECURE ASSET SOLUTIONS

SERVICE CENTER REPAIRS

Experienced engineers and technicians on staff at our full-service, in-house repair center

*InstraView*SM REMOTE INSPECTION

Remotely inspect equipment before purchasing with our interactive website at www.instraview.com ↗

WE BUY USED EQUIPMENT

Sell your excess, underutilized, and idle used equipment. We also offer credit for buy-backs and trade-ins. www.artisanng.com/WeBuyEquipment ↗

LOOKING FOR MORE INFORMATION?

Visit us on the web at www.artisanng.com ↗ for more information on price quotations, drivers, technical specifications, manuals, and documentation

Contact us: (888) 88-SOURCE | sales@artisanng.com | www.artisanng.com