



Artisan Technology Group is your source for quality new and certified-used/pre-owned equipment

- FAST SHIPPING AND DELIVERY
- TENS OF THOUSANDS OF IN-STOCK ITEMS
- EQUIPMENT DEMOS
- HUNDREDS OF MANUFACTURERS SUPPORTED
- LEASING/MONTHLY RENTALS
- ITAR CERTIFIED SECURE ASSET SOLUTIONS

SERVICE CENTER REPAIRS

Experienced engineers and technicians on staff at our full-service, in-house repair center

*InstraView*SM REMOTE INSPECTION

Remotely inspect equipment before purchasing with our interactive website at www.instraview.com ↗

WE BUY USED EQUIPMENT

Sell your excess, underutilized, and idle used equipment. We also offer credit for buy-backs and trade-ins. www.artisanng.com/WeBuyEquipment ↗

LOOKING FOR MORE INFORMATION?

Visit us on the web at www.artisanng.com ↗ for more information on price quotations, drivers, technical specifications, manuals, and documentation

Contact us: (888) 88-SOURCE | sales@artisanng.com | www.artisanng.com

OPERATOR'S MANUAL

CM900
AutoID Interface
Module

Manual Revision 5, 3-01
Publication #17-1122



Escort Memory Systems Warranty

Escort Memory Systems warrants that all products of its own manufacture conform to Escort Memory Systems specifications and are free from defects in material and workmanship when used under normal operating conditions and within the service conditions for which they were furnished. The obligation of Escort Memory Systems hereunder shall expire one (1) year after delivery, unless otherwise specified, and is limited to repairing, or at its option, replacing without charge, any such product which in Escort Memory Systems's sole opinion proves to be defective within the scope of this Warranty. In the event Escort Memory Systems is not able to repair or replace defective products or components within a reasonable time after receipt thereof, Buyers shall be credited for their value at the original purchase price. Escort Memory Systems must be notified in writing of the defect or nonconformity within the warranty period and the affected product returned to Escort Memory Systems factory or to an authorized service center within thirty (30) days after discovery of such defect or nonconformity. Shipment shall not be made without prior authorization by Escort Memory Systems.

This is Escort Memory Systems's sole warranty with respect to the products delivered hereunder. No statement, representation, agreement or understanding oral or written, made by an agent, distributor, representative, or employee of Escort Memory Systems which is not contained in this warranty, will be binding upon Escort Memory Systems, unless made in writing and executed by an authorized Escort Memory Systems employee. Escort Memory Systems makes no other warranty of any kind whatsoever, expressed or implied, and all implied warranties of merchantability and fitness for a particular use which exceed the aforesaid obligation are hereby disclaimed by Escort Memory Systems and excluded from this agreement. Under no circumstances shall Escort Memory Systems be liable to Buyer, in contract or in tort, for any special, indirect, incidental, or consequential damages, expenses, losses or delay however caused.

Equipment or parts which have been subject to abuse, misuse, accident, alteration, neglect, unauthorized repair or installation are not covered by warranty. Escort Memory Systems shall make the final determination as to the existence and cause of any alleged defect. No liability is assumed for expendable items such as lamps and fuses. No warranty is made with respect to custom equipment or products produced to Buyer's specifications except as specifically stated in writing by Escort Memory Systems in the contract for such custom equipment.

This warranty is the only warranty made by Escort Memory Systems with respect to the goods delivered hereunder, and may be modified or amended only by a written instrument signed by a duly authorized officer of Escort Memory Systems and accepted by the Buyer.

Extended warranties of up to four years are available for purchase for most EMS products. Contact EMS or your distributor for more information.

This document contains proprietary information which is protected by copyright. All rights are reserved. The information in this manual has been carefully checked and is believed to be accurate; however, no responsibility is assumed for possible inaccuracies or omissions. Specifications are subject to change without notice.

EMS®, Escort Memory Systems® and the EMS® logo are registered trademarks of Escort Memory Systems, a Datalogic Group Company. Other brand and product names mentioned are trademarks or registered trademarks of their respective holders.

Escort Memory Systems, Inc.

A Datalogic Group Company
170 Technology Circle
Scotts Valley, CA 95066
Telephone (831) 438-7000
FAX (831) 438-5768
www.ems-rfid.com

TABLE OF CONTENTS

| | | |
|----------|--|-----------|
| 1 | GETTING STARTED | 1 |
| 1.1 | Introduction | 1 |
| 1.2 | Unpacking and Inspection | 2 |
| 1.3 | Organization of This Manual | 2 |
| 2 | MECHANICAL SPECIFICATIONS | 3 |
| 2.1 | Dimensions | 3 |
| 2.2 | Mounting the CM900 | 4 |
| 3 | POWER AND ELECTRICAL INTERFACE | 5 |
| 3.1 | 22-Position Connector | 5 |
| 3.2 | Indicators | 7 |
| 3.3 | Power Requirements | 8 |
| 3.4 | RS232 Serial Interface | 9 |
| 3.5 | RS422 Serial Interface | 10 |
| 3.6 | RFID Port Interface | 11 |
| 4 | TECHNICAL OVERVIEW | 12 |
| 4.1 | Standard Program & Custom Loadable | 12 |
| 4.2 | C Language Development Package | 12 |
| 5 | CM900 STANDARD PROGRAM | 13 |
| 5.1 | Introduction | 13 |
| 5.2 | Configuring the PLC | 14 |
| | CM900 Personality | 14 |
| | Modifying the GCNFA120.SYS File | 14 |
| | Traffic-Copping | 14 |
| 5.3 | Communication Overview | 15 |
| 5.4 | Port Addressing | 16 |
| 5.5 | Command Set Overview | 17 |
| 5.6 | Command Descriptions | 18 |
| | Command 0 (00 Hex): Idle | 18 |
| | Command 1 (01 Hex): RF Port Noncontiguous Read | 19 |
| | Command 2 (02 Hex): RF Port Noncontiguous Write | 20 |
| | Command 3 (03 Hex): RF Port Configure Noncontiguous R/W Addresses | 21 |
| | Command 4 (04 Hex): RF Port Fill Tag | 23 |
| | Command 5 (05 Hex): RF Port Block Read | 24 |

| | |
|---|----|
| Command 6 (06 Hex): RF Port Block Write | 25 |
| Command 10 (10 Hex): Serial Port Configure | 26 |
| Command 11 (11 Hex): Serial Port Block Read | 28 |
| Command 12 (12 Hex): Serial Port Block Write | 29 |
| Command 13 (13 Hex): Clear Serial Port | 30 |
| Command 20 (20 Hex): Posted Block Write | 31 |
| Command 21 (21 Hex): Posted Block Read | 33 |
| Command 22 (22 Hex): Read Posted Read Data Buffer | 34 |
| Command 23 (23 Hex): Posted Commands Status Byte | 35 |
| Command 24 (24 Hex): Cancel Posted Operations | 37 |
| 5.7 Error Codes | 38 |

| | |
|---|-----------|
| A APPENDIX: NOTICE OF EMISSIONS | 40 |
| B APPENDIX: SPECIFICATIONS | 41 |
| C APPENDIX: MODELS & ACCESSORIES | 43 |
| D APPENDIX: ASCII CHART | 45 |

1 GETTING STARTED

1.1 Introduction

Escort Memory Systems' CM900 AutoID Interface Module is an advanced peripheral for the Modicon 984 Compact PLC rack. The CM900 expands a host PLC's data collection and dissemination capabilities by providing an RFID antenna port and serial communication facilities. A standard application program is included with each unit. The standard program requires that a custom loadable — Escort Memory Systems' SP1004 software program — be loaded on the host PLC. For custom programming, the SP1011 C Language Development Package with custom libraries, is available. The Franklin Compiler required for CM900 Software development must be order separately, EMS part number 88-1001.

The CM900's fully-buffered, bi-directional serial communications port is configurable to support RS232 and RS422 communications formats. It can be set to communicate with a wide variety of devices, via selectable baud rate, parity, and number of data bits and stop bits. A dedicated RS232 port is also provided for programming and debugging.

The RFID antenna port is compatible with Escort Memory Systems's industry-leading EMS[®] Read/Write RFID components. The communications connection between the CM900 and antenna is via two twisted pair wires (four wires) with a maximum cable length of 1,200 meters (4,000 ft).

The CM900 also features 32K bytes of nonvolatile EEPROM program storage as well as 32K bytes of system RAM. Seven status LEDs mounted on the front of the CM900 greatly assist program debugging and maintenance.

1.2 Unpacking and Inspection

Unpack the CM900 and retain the original shipping carton and packing material in case any item has to be returned to Escort Memory Systems. Inspect each item carefully for evidence of damage. If any item appears to be damaged, notify Escort Memory Systems immediately. Check that all of the following items are present:

- CM900 AutoID Module
- Operator's Manual
- Standard Program Diskette

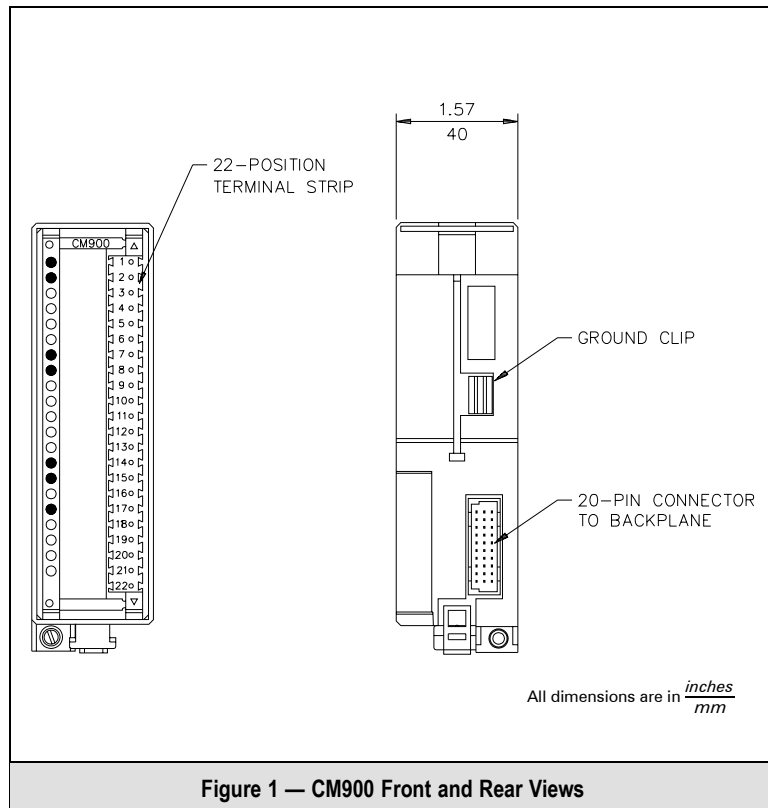
1.3 Organization of This Manual

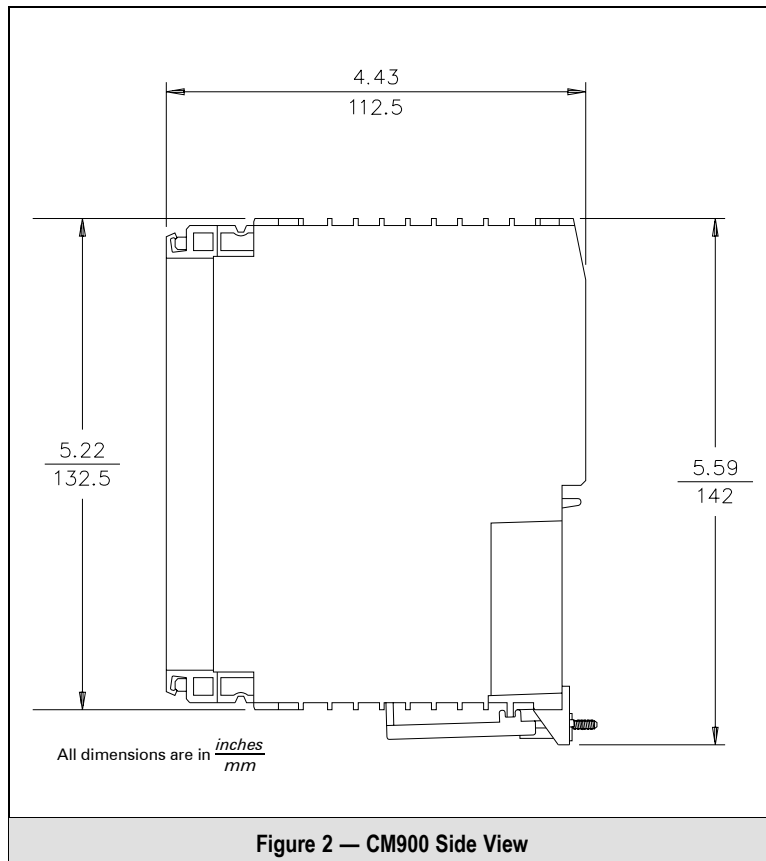
This manual presents in Chapters 2, 3, and 4 the essential information required for installing, connecting and powering the CM900. The following chapters explain the configuration and operation of the CM900.

2 MECHANICAL SPECIFICATIONS

2.1 Dimensions

Figures 1 and 2 show the overall dimensions of the CM900 module. The enclosure is identical to that of other 984 Compact components.





2.2 Mounting the CM900

WARNING!

Turn power to the PLC rack and CM900 OFF before installing or removing the CM900.

The CM900 can be inserted into the Modicon 984 Compact Rack at any location. Hook the top of the CM900 enclosure to the hook provided on the rack and press in the unit completely to ensure good contact with the backplane. Secure the unit by tightening the slotted screw at the bottom of the enclosure.

3 POWER AND ELECTRICAL INTERFACE

3.1 22-Position Connector

Connections between the CM900 and the front-end external power supply, serial ports, and EMS remote RFID antenna are via a 22-position connector for terminal strips located on the front of the unit as shown in Figure 3. Two 11-position mating terminal strips are supplied with the unit. Table 1 shows the pinouts for the 22-position connector.

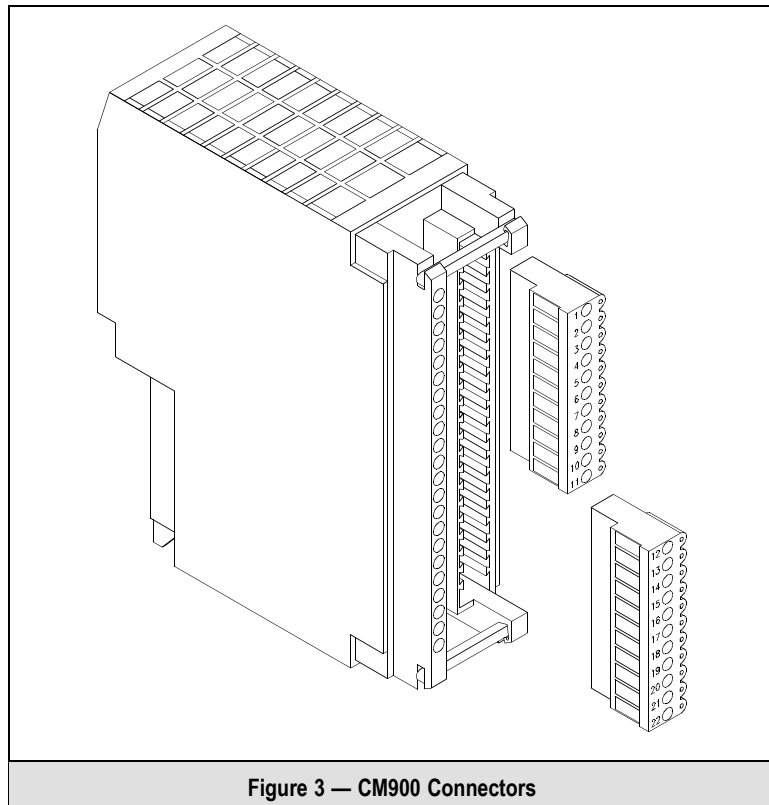


Table 1 - RFID Port/Power Connector Pinouts

| Pin | Function | Pin | Function |
|-----|----------------|-----|--|
| 1 | +24 VDC | 12 | +24 VDC |
| 2 | +24 VDC | 13 | +24 VDC |
| 3 | COM1 RS422 RX+ | 14 | COM2 RS232 RX (Programming Port) |
| 4 | COM1 RS422 RX- | 15 | COM2 RS232 TX (Programming Port) |
| 5 | COM1 RS422 TX+ | 16 | COM2 Signal Ground (Programming Port) |
| 6 | COM1 RS422 TX- | 17 | Antenna, Pin 1 |
| 7 | COM1 RS232 RX | 18 | Antenna, Pin 2 |
| 8 | COM1 RS232 TX | 19 | Antenna, Pin 3 |
| 9 | COM1 RS232 GND | 20 | Antenna, Pin 4 |
| 10 | No Connection | 21 | Ground |
| 11 | Ground | 22 | Ground |

3.2 Indicators

Seven LEDs are mounted on the front of the CM900 module for status indication as shown in Figure 4. The LEDs function as follows:

- POWER — GREEN when CM900 is fully powered.
- ERROR — RED when CM900 has faulted.
- COM1 RX — GREEN when receiving on COM1.
- COM1 TX — GREEN when transmitting on COM1.
- COM2 RX — GREEN when receiving on COM2.
- COM2 TX — GREEN when transmitting on COM2.
- ANT — YELLOW when the antenna is active.

NOTE:

If all serial communication LEDs are on, the CM900 is not connected to 24 VDC power. Refer to Section 3.3 for power connections and specifications.

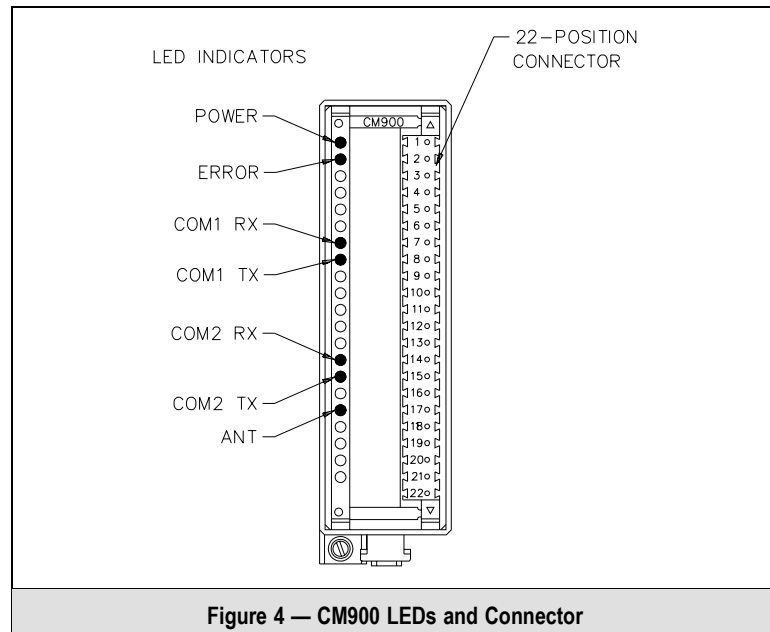


Figure 4 — CM900 LEDs and Connector

3.3 Power Requirements

The CM900 backplane is powered directly from the Modicon 984 Compact rack +5VDC supply. The front end must be powered from a user-supplied power supply according to the following specifications:

| | | |
|----------------|---|------------------------------|
| Supply Voltage | — | 24 VDC, +/- 15% |
| Min. Current | — | 250 mA (750 mA with antenna) |
| Max. Ripple | — | 2% of DC voltage |

The power supply connects to the two eleven-position terminal strips as shown in the pinout listing in Table 1.

EMS recommends the following power supply, or an equivalent:

Panasonic Switching Series ETU-24K13
24 VDC at 1.3 Amps Max.
Closed Frame
FCC Class B radiated noise
Ripple 1% of output
Load regulation to within 0.8%, 0-100% of rated current

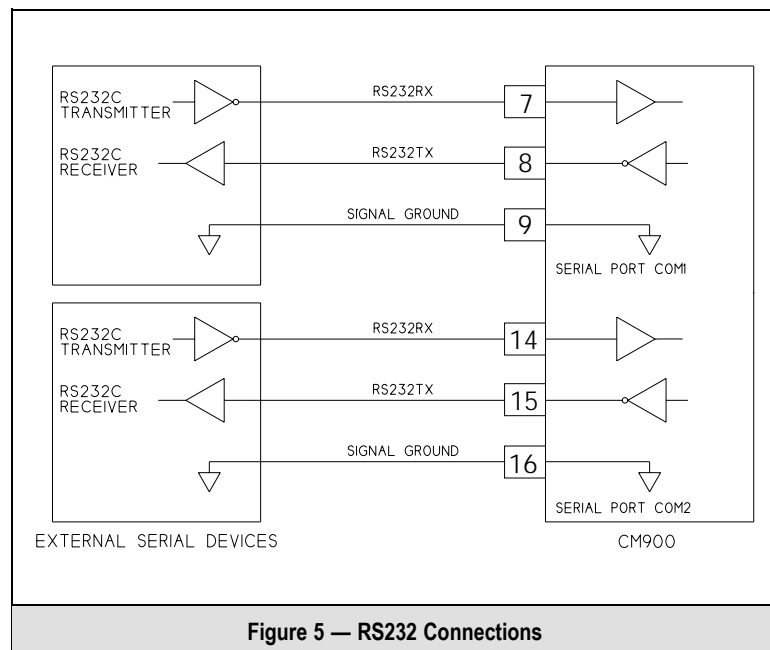
If the RFID port is being used, the RFID antenna may also be powered from the same power supply by connecting to the spare power and ground pins on the terminal strips as given in the pinout. If you are powering the RF antenna from the same power supply, a supply capable of 750 mA will be required.

Alternatively, the RFID antenna may be powered from a local 24 VDC supply. Voltages between the antennas and the CM900 must conform to RS485 limits; however, it is usually not necessary to maintain a common ground with the CM900 module. See your specific RFID antenna manual or instruction sheet for power and ground pinouts.

3.4 RS232 Serial Interface

The connections for the RS232 interface are RS232 TX (data *from* the CM900), RS232 RX (data *to* the CM900), and Signal Ground, as shown in Figure 5.

The signals and electrical loads from the RS232 TX and RS232 RX pins should conform to the electrical specifications of EIA Standard RS232. The maximum cable length specified under this standard is 50 feet. High quality shielded cable should be used for these connections.



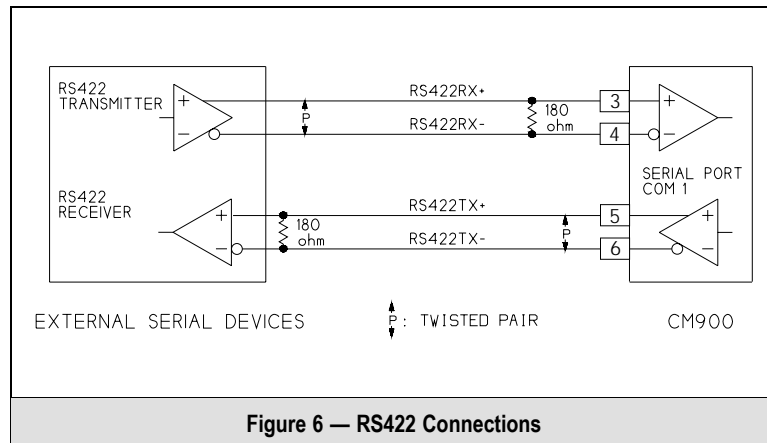
Both COM1 and COM2 can be configured for RS232 serial communications.

3.5 RS422 Serial Interface

RS422 is recommended for electrically noisy environments. The connections are RS422 TX+ and RS422 TX- (data from the CM900) and RS422 RX+ and RS422 RX- (data to the CM900), as shown in Figure 6.

For maximum margin at very long line lengths (over 1000 feet), a ¼ watt, 180 ohm terminating resistor should be provided by the user across the RS422 RX+ and RS422 RX- lines at the CM900, and across the RS422 TX+ and RS422 TX- lines at the device being connected.

The signals and electrical loads on the pins, as well as the characteristics of the shielded twisted pair cable must conform to the electrical specifications of EIA Standard RS422. The maximum recommended length of an RS422 connection is 4000 feet. High quality shielded cable should be used for these connections.



Please note that only COM1 supports RS422 serial communications.

3.6 RFID Port Interface

Connections to a EMS Read/Write RF antenna are shown in Figure 7. High quality shielded cable (such as Belden 9829 with two wire pairs or Belden 9830 with three pairs) should be used for this connection. The cable shield should be connected to ground at one end only. See your specific antenna manual or instruction sheet for antenna pinouts.

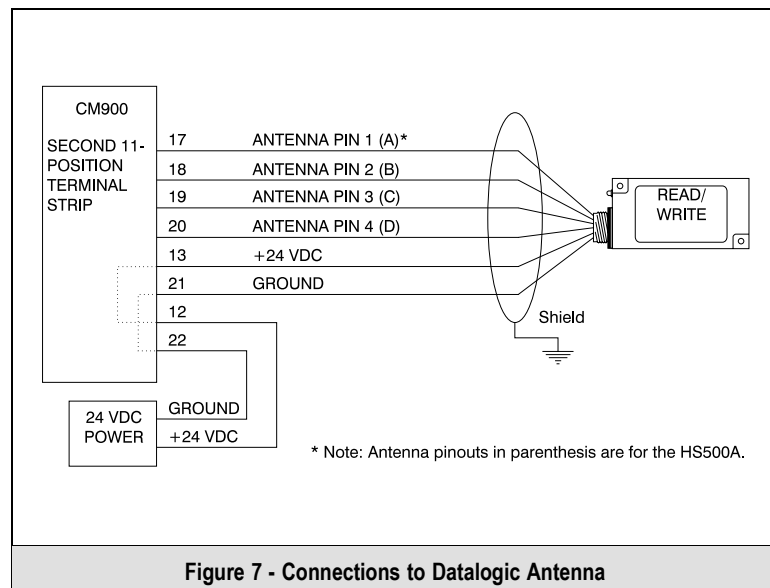
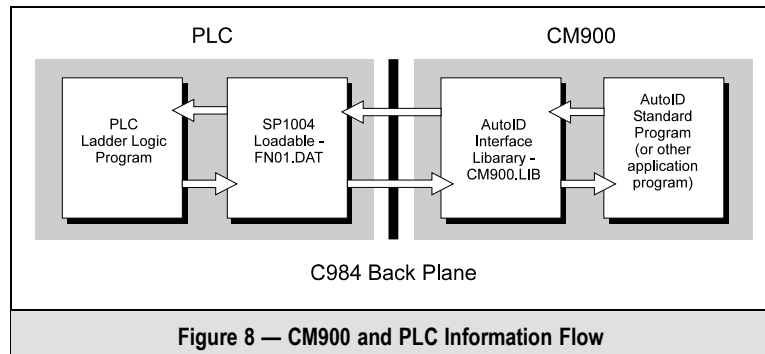


Figure 7 - Connections to Datalogic Antenna

4 TECHNICAL OVERVIEW

4.1 Standard Program & Custom Loadable

The CM900 Standard Program supplied with the unit allows the CM900 to perform register transfers to and from the host PLC, manages transfers of up to 100 registers, examines the command register for commands, and executes appropriate tasks. In order to function, the Standard Program requires that the SP1004 Loadable from EMS be installed on the PLC. The custom software loadable can also be used as a starting point when writing custom software.



Included on the CM900 Standard Program diskette is a file containing the personality for the CM900 (DL.DAT). The personality is essential to installing the CM900 whether or not you intend to use the SP1004 Loadable or the CM900 Standard Program. See section 5.2 for more information on the CM900 personality.

4.2 C Language Development Package

In the event that the user needs different functionality than is provided by the Standard Program, EMS offers the SP1011 C Language Development Package to allow the development of custom C-language application programs. The SP1011 includes source code for the Standard Program, Franklin 8051 Development Tools (Compiler, Assembler, Linker, Librarian, Object-to-HEX file converter), the CM900.LIB custom interface library, and appropriate header files and download utilities.

5 CM900 STANDARD PROGRAM

5.1 Introduction

EMS's CM900 offers the user an unprecedented degree of flexibility in data gathering through its C-programming option. Although this is a key feature, many PLC users will neither want nor need to program the CM900 themselves. It was for this reason that the Standard Application program was developed.

The Standard Application Program allows the user to read and write from the CM900's serial and RFID ports entirely from within the PLC programming environment. In doing so it performs the following tasks:

- 1) Effects register transfers to and from the PLC via the Compact backplane
- 2) Manages up to 100 register transfers
- 3) Scans incoming registers for commands and executes appropriate tasks

The Standard Program utilizes a simple command set protocol to communicate back and forth with the PLC. This manual outlines that protocol and provides examples in order to aid the new user in PLC program development.

5.2 Configuring the PLC

Before attempting to run the CM900 you must download the SP1004 Loadable and the CM900 personality, modify the GCNFA120.SYS file and traffic-cop the CM900 for 6-register bi-directional binary transfers.

CM900 Personality

The CM900's personality must be downloaded to the PLC before it can be traffic-copped. The personality can be found on the standard program diskette supplied with the CM900 under the file name DL.DAT. For help in downloading the personality, refer to the appropriate Modicon manual.

Modifying the GCNFA120.SYS File

The CM900's personality must be listed in the GCNFA120.SYS file for it to be recognized by the PLC. Using a standard text editor, add the following line to the list of personalities in the GCNFA120.SYS file:

```
CM900 , 119 , 0 , 12 , 12 , AUTOID INTERFACE, 0,
```

Traffic-Copping

Traffic-cop the CM900 for 6-register bi-directional binary transfers. Once the CM900 has been traffic-copped, connections between all components have been properly made, and power is applied, the unit will be ready to accept commands from the PLC. The CM900 accepts new programs through its RS232 programming/debug port (COM2). See the *SP1011 Software Manual* for details on developing and downloading custom C programs.

5.3 Communication Overview

Data is passed back and forth between the CM900 Standard Program and the PLC via the SP1004 Loadable (function block) in blocks of 1 to 100 registers. In the following text **Send Data** is defined as passing a command from the PLC to the CM900 (PLC ⇒ CM900), and **Receive Data** as the response from the CM900 to the PLC (CM900 ⇒ PLC). The upper byte of the first register passed to the CM900 is commonly used as a port designator, while the lower byte is reserved for commands. The following example illustrates this base register transfer format.

Command from PLC

| MSB | LSB |
|--------------------|--------------------|
| (Port Address) | (Command #) |
| (Data) | (Data) |
| . | . |
| . | . |
| Message Terminator | Message Terminator |

Response from CM900

| MSB | LSB |
|---------------------|--------------------|
| (Echo Port Address) | (Echo Command #) |
| (Data) | (Data) |
| . | . |
| . | . |
| Message Terminator | Message Terminator |

When the command is sent successfully the CM900 will echo the port address and command. If the command encounters an error the CM900 will echo the port address but will return FFH in the LSB instead of echoing the command. Should this occur, check that all connections have been properly made.

The CM900 Standard Program will also pass an error code in the second register passed to the PLC. For a list of the error codes and explanation, please refer to Section 5.7 on page 38.

Error response from CM900

| MSB | LSB |
|---------------------|-----|
| (Echo Port Address) | FFH |
| ERROR CODE | |
| FFH | FFH |

5.4 Port Addressing

The CM900 has one RFID and two serial communication ports. The CM900 Standard Program protocol assigns each port a unique number which is used by the PLC to direct read and write requests. Table 2 provides a complete listing of these numbers, which are encoded in the most significant byte (MSB) of the first register passed to the module in the predefined command set.

| Table 2 - Standard Program Port Assignments | | |
|---|--------------|-------------------|
| PORT NAME | PORT ADDRESS | DESCRIPTION |
| ANT | 00 Hex | RFID Port Antenna |
| COM1 | 01 Hex | Serial Port COM1 |
| COM2 | 02 Hex | Serial Port COM2 |

5.5 Command Set Overview

The Standard Program recognizes a variety of commands from the PLC for performing reads and writes to the CM900's ports. The commands are encoded in the least significant byte (LSB) of the first register passed to the CM900 from the PLC. Table 3 lists each command and provides a brief description of its function.

| Table 3 - Command Set Listing | | |
|---|----------------|--|
| COMMAND | HEX EQUIVALENT | COMMAND NAME |
| DIRECT RF | | |
| 0 | 00 Hex | Idle |
| 1 | 01 Hex | RF Port Noncontiguous Read |
| 2 | 02 Hex | RF Port Noncontiguous Write |
| 3 | 03 Hex | RF Port Configure Noncontiguous Read/Write Addresses |
| 4 | 04 Hex | RF Port Fill Tag |
| 5 | 05 Hex | RF Port Block Read |
| 6 | 06 Hex | RF Port Block Write |
| SERIAL | | |
| 10 | 10 Hex | Serial Port Configure |
| 11 | 11 Hex | Serial Port Block Read |
| 12 | 12 Hex | Serial Port Block Write |
| 13 | 13 Hex | Clear Serial Port |
| POSTED RF | | |
| 20 | 20 Hex | Posted Block Write* |
| 21 | 21 Hex | Posted Block Read* |
| 22 | 22 Hex | Read Posted Read Data Buffer * |
| 23 | 23 Hex | Posted Status Byte* |
| 24 | 24 Hex | Cancel Posted Operations* |
| *Use of Posted Commands requires special considerations. Please consult EMS or your distributor before implementing these commands. | | |

5.6 Command Descriptions

Command 0 (00 Hex): Idle

DESCRIPTION

Sets the command byte to 0.

DISCUSSION

When a file move has been completed or when RF operations are not needed, the command byte may be set to zero, but this is not required. Alternatively, the new command can overwrite the old command values. Unlike other commands, the CM900 will not respond to the idle command.

EXAMPLE

Sets the command byte to 0.

Command from PLC

| MSB | LSB | Remarks |
|-----|-----|------------------------|
| 00H | 00H | ANT, perform Command 0 |
| FFH | FFH | Message Terminator |

Response from CM900

None

Command 1 (01 Hex): RF Port Noncontiguous Read

DESCRIPTION

Directs an RFID antenna to perform a Read of noncontiguous data addresses in an RFID tag.

DISCUSSION

This command is designed to perform noncontiguous address reads from an RFID tag. The data collected from the tag is presented to the PLC through a backplane register transfer. Before a noncontiguous read command can be performed, the addresses must be preconfigured through the use of the configuration command (Command 03). The data will be read in the same sequence as the addresses are originally stored. The data read from the tag is returned in the LSB of the register and the MSB is always 00H.

EXAMPLE

The following example illustrates a noncontiguous read command issued after the addresses are preconfigured using the example presented with the configuration command (Command 03). It directs the antenna to read and return the data at addresses 0005H, 0100H, 0101H, 04AAH, and 0597H of the tag memory.

Command from PLC

| MSB | LSB | Remarks |
|-----|-----|-----------------------------|
| 00H | 01H | ANT port, perform Command 1 |
| FFH | FFH | Message Terminator |

Response from CM900

| MSB | LSB | Remarks |
|-----|-----|----------------------------|
| 00H | 01H | Port echo, Command echo |
| 00H | 10H | Data read at Address 0005H |
| 00H | 11H | Data read at Address 0100H |
| 00H | AAH | Data read at Address 0101H |
| 00H | BAH | Data read at Address 04AAH |
| 00H | 32H | Data read at Address 0597H |
| FFH | FFH | Message Terminator |

Command 2 (02 Hex): RF Port Noncontiguous Write

DESCRIPTION

Directs the RFID antenna to perform a Write to noncontiguous data addresses in an RFID tag.

DISCUSSION

This command is designed to perform noncontiguous address writes to an RFID tag. Before a noncontiguous write command can be performed, the addresses must be preconfigured-configured using the configuration command (Command 03).

This command has the same control structure as the noncontiguous read command, except the port address and command number are followed by the data to be written into the preconfigured addresses on the RFID tag. Since all data is stored in 8-bit data format, the MSB of each data word are set to 00H. Data to be stored is always placed in the LSB of the data word.

The data must be written in the same sequence as when configured using the configure command. If the amount of data written by this command does not match the amount of data for which the port was configured, an error response will be received.

EXAMPLE

The following example illustrates a noncontiguous write command issued after the addresses are preconfigured using the example presented with the configuration command (Command 03). It directs the antenna to write 44H to address 3040H and 67H to address 3042H.

Command from PLC

| MSB | LSB | Remarks |
|-----|-----|------------------------------|
| 00H | 02H | ANT port, perform Command 2 |
| 00H | 44H | Write 44H to Write Address 1 |
| 00H | 67H | Write 67H to Write Address 2 |
| FFH | FFH | Message Terminator |

Response from CM900

| MSB | LSB | Remarks |
|-----|-----|-------------------------|
| 00H | 02H | Port echo, Command echo |
| FFH | FFH | Message Terminator |

Command 3 (03 Hex): RF Port Configure Noncontiguous R/W Addresses

DESCRIPTION

Set up all non-contiguous Read/Write data addresses for the RFID port. Must be performed before Commands 1 or 2, or an error will occur.

DISCUSSION

This command configures the addresses to be accessed on the RFID tag when either a Noncontiguous Read (Command 1) or Noncontiguous Write (Command 2) is directed from the host PLC. No tag or antenna communications are initiated by using this command. A Read Address Terminator, FFF0H, and a Write Address Terminator, FFF1H, are always required, regardless of whether or not both reads and writes are being configured.

After the configure command is executed, any sequence of noncontiguous read or write commands can subsequently be executed. When using the Noncontiguous Write command, data must be presented in the same sequence as configured. Likewise, the read command returns data in the same sequence as configured.

EXAMPLE

Configures the Noncontiguous Read command for the antenna to read at addresses 0005H, 0100H, 0101H, 04AAH and 0597H, and the Noncontiguous Write command to write at addresses 3040H and 3042H.

Command from PLC

| MSB | LSB | Remarks |
|-----|-----|-----------------------------|
| 00H | 03H | ANT port, perform Command 3 |
| 00H | 05H | Read Address 1 = 0005H |
| 01H | 00H | Read Address 2 = 0100H |
| 01H | 01H | Read Address 3 = 0101H |
| 04H | AAH | Read Address 4 = 04AAH |
| 05H | 97H | Read Address 5 = 0597H |
| FFH | F0H | Read Address Terminator |
| 30H | 40H | Write Address 1 = 3040H |
| 30H | 42H | Write Address 2 = 3042H |
| FFH | F1H | Write Address Terminator |
| FFH | FFH | Message Terminator |

Response from CM900

| MSB | LSB | Remarks |
|-----|-----|-------------------------|
| 00H | 03H | Port echo, Command echo |
| FFH | FFH | Message Terminator |

Command 4 (04 Hex): RF Port Fill Tag

DESCRIPTION

Fill an RFID tag with a one-byte value over multiple contiguous addresses.

DISCUSSION

This command is commonly used to clear an RFID tag's memory. It writes a one-byte value repetitively across a specified range of tag addresses, up to 8K bytes at a time. It should be noted that an 8K byte fill, which occurs at 3000 bytes/second, will supersede any other command to the CM900 for up to 2.6 seconds.

The fill function requires one data value byte, a starting address, and a fill length. It will then proceed to fill the tag with the data value byte, starting at the specified start address for the specified number of consecutive bytes.

EXAMPLE

Writes 'A' (41H) to the tag starting at address 0005H for the following next consecutive 2048 bytes.

Command from PLC

| MSB | LSB | Remarks |
|-----|-----|---------------------------------|
| 00H | 04H | ANT port, perform Command 4 |
| 00H | 05H | Start Address = 0005H |
| 08H | 00H | Fill Length= 2048 bytes (0800H) |
| 00H | 41H | Data Value Byte = 41H |
| FFH | FFH | Message Terminator |

Response from CM900

| MSB | LSB | Remarks |
|-----|-----|-------------------------|
| 00H | 04H | Port echo, Command echo |
| FFH | FFH | Message Terminator |

Command 5 (05 Hex): RF Port Block Read

DESCRIPTION

Read a block of data from an RFID tag.

DISCUSSION

The RF Port Block Read command is used to read segments of data from contiguous areas of tag memory. It is capable of handling up to 98 bytes of data transferred to the PLC with one command, with an additional two bytes used to transmit the command echo.

Unlike the noncontiguous reads and writes, the block read does not need a configuration command to precede it. The block read consists of a start address and quantity, followed by the message terminator, FFFFH, as shown below.

The data read from the tag is returned in the LSB of the register, and the MSB is always 00H.

EXAMPLE:

Reads 8 bytes of data from the tag starting at address 0101H.

Command from PLC

| MSB | LSB | Remarks |
|-----|-----|-------------------------------------|
| 00H | 05H | ANT port, perform command 5 |
| 01H | 01H | Start Address = 0101H |
| 00H | 08H | Read Block Length = 8 bytes (0008H) |
| FFH | FFH | Message Terminator |

Response from CM900

| MSB | LSB | Remarks |
|-----|-----|-------------------------|
| 00H | 05H | Port echo, Command echo |
| 00H | 52H | Read Data 1 = 52H |
| 00H | 46H | Read Data 2 = 46H |
| 00H | 49H | Read Data 3 = 49H |
| 00H | 44H | Read Data 4 = 44H |
| 00H | 20H | Read Data 5 = 20H |
| 00H | 54H | Read Data 6 = 54H |
| 00H | 61H | Read Data 7 = 61H |
| 00H | 67H | Read Data 8 = 67H |
| FFH | FFH | Message Terminator |

Command 6 (06 Hex): RF Port Block Write

DESCRIPTION

Write a block of data to an RFID tag.

DISCUSSION

The RF Port Block Write command is used to write segments of data to contiguous areas of tag memory. It is capable of transferring up to 98 bytes of data transferred from the PLC with one command, with an additional two bytes used to transmit the command.

Unlike the noncontiguous reads and writes, the Block Write does not need a configuration command to precede it. The Block Write consists of a start address followed by the data stream to be written to the RFID tag.

The data to be written to the tag is contained in the LSB of the register, and the MSB is always 00H.

EXAMPLE:

Writes 8 bytes of data to the tag starting at address 0400H.

Command from PLC

| MSB | LSB | Remarks |
|-----|-----|-----------------------------|
| 00H | 06H | ANT port, perform Command 6 |
| 04H | 00H | Start Address = 0400H |
| 04H | 00H | Write Data 1 = 52H |
| 00H | 46H | Write Data 2 = 46H |
| 00H | 49H | Write Data 3 = 49H |
| 00H | 44H | Write Data 4 = 44H |
| 00H | 20H | Write Data 5 = 20H |
| 00H | 54H | Write Data 6 = 54H |
| 00H | 61H | Write Data 7 = 61H |
| 00H | 67H | Write Data 8 = 67H |
| FFH | FFH | Message Terminator |

Response from CM900

| MSB | LSB | Remarks |
|-----|-----|-------------------------|
| 00H | 06H | Port echo, Command echo |
| FFH | FFH | Message Terminator |

Command 10 (10 Hex): Serial Port Configure

DESCRIPTION

Sets the serial communication protocol for the Serial Ports COM1 and COM2. Please note that the COM2 port is RS232 only.

DISCUSSION

This command will set up the serial communication protocol for a specified serial port. Table 4 lists the available serial port configuration options, and the appropriate hex values. The configuration options must be provided in the same order as listed in Table 4 .

| Table 4 - Serial Port Protocol Settings | | | |
|---|----------------|-----------|----------------|
| Parameter | Hex Equivalent | Parameter | Hex Equivalent |
| Interface Type | | Parity | |
| RS232 | 00E8H | None | 0001H |
| RS422 | 01A6H | Even | 0002H |
| | | Odd | 0003H |
| Baud Rate | | Data Bits | |
| 300 | 012CH | 8 | 0008H |
| 600 | 0258H | 7 | 0007H |
| 1200 | 04B0H | | |
| 2400 | 0960H | Stop Bits | |
| 4800 | 12C0H | 1 | 0001H |
| 9600 | 2580H | 2 | 0002H |
| 19200 | 4B00H | 2 | 0002H |

EXAMPLE

Sets Serial Port COM1 to RS232, 9600 baud, no parity, 8 data bits, 1 stop bit.

Command from PLC

| MSB | LSB | Remarks |
|-----|-----|-------------------------------|
| 01H | 10H | COM1 port, perform Command 10 |
| 00H | E8H | Set Interface Type to RS232 |
| 25H | 80H | Set Baud Rate to 9600 |
| 00H | 01H | Set Parity to none |
| 00H | 08H | Set Data Bits to 8 |
| 00H | 01H | Set Stop Bits to 1 |
| FFH | FFH | Message Terminator |

Response from CM900

| MSB | LSB | Remarks |
|-----|-----|-------------------------|
| 01H | 10H | Port echo, Command echo |
| FFH | FFH | Message Terminator |

Command 11 (11 Hex): Serial Port Block Read

DESCRIPTION

Read a specified number of bytes from a specific serial port.

DISCUSSION

The Serial Port Block Read command is used to read a given quantity of bytes from the specified serial port. Remember that there is a maximum of 100 registers of data that can be passed through the backplane interface per read, resulting in 198 bytes of ASCII data that can be transferred, with an additional two bytes used to transmit the command.

Unlike the RFID read and write commands, the serial read command will return data in the MSB of the registers. This allows for more data to be transferred from the connected serial device.

There is an optional delay for serial input that can be included in the command. The delay is measured in increments of 5 milliseconds. The CM900 will try for the specified delay period to read from the serial port. The CM900 will not accept any other command while it is waiting to accept serial data in the port.

EXAMPLE

Reads nine bytes of data from serial port COM1, with a 400 (0190H) x 5 milliseconds = 2 second delay.

Command from PLC

| MSB | LSB | Remarks |
|-----|-----|-------------------------------|
| 01H | 11H | COM1 port, perform Command 11 |
| 00H | 09H | Read 9 bytes |
| 01H | 90H | 2 second delay |
| 00H | 00H | Terminating Character |
| FFH | FFH | Message Terminator |

Response from CM900

| MSB | LSB | Remarks |
|-----|-----|-----------------------------------|
| 01H | 11H | Port echo, Command echo |
| 44H | 41H | Read Data 1 & 2 = 'DA' (44H, 41H) |
| 54H | 41H | Read Data 3 & 4 = 'TA' (54H, 41H) |
| 4CH | 4FH | Read Data 5 & 6 = 'LO' (4CH, 4FH) |
| 47H | 49H | Read Data 7 & 8 = 'GI' (47H, 49H) |
| 43H | 00H | Read Data 9 = 'C' (43H) |
| FFH | FFH | Message Terminator |

Command 12 (12 Hex): Serial Port Block Write

DESCRIPTION

Write a specified number of bytes to a specific serial port.

DISCUSSION

The Serial Port Block Write command is used to write a given quantity of bytes to the specified serial port. Remember that there is a maximum of 100 registers of data that can be passed through the backplane interface per read.

Unlike the RFID read and write commands, the serial write command utilizes the MSB as well as the LSB of the registers. This allows for more data to be transferred to the connected serial device.

EXAMPLE

Write 8 bytes of data to serial port COM1.

Command from PLC

| MSB | LSB | Remarks |
|-----|-----|------------------------------------|
| 01H | 12H | COM1 port, perform Command 12 |
| 42H | 42H | Write Data 1 & 2 = 'BA' (42H, 41H) |
| 52H | 20H | Write Data 3 & 4 = 'R' (52H, 20H) |
| 43H | 4FH | Write Data 5 & 6 = 'CO' (43H, 4FH) |
| 44H | 45H | Write Data 7 & 8 = 'DE' (44H, 45H) |
| FFH | FFH | Message Terminator |

Response from CM900

| MSB | LSB | Remarks |
|-----|-----|-------------------------|
| 01H | 12H | Port echo, Command echo |
| FFH | FFH | Message Terminator |

Command 13 (13 Hex): Clear Serial Port

DESCRIPTION

This command is used to clear the 256K byte serial buffer on the specified CM900 serial port.

DISCUSSION

This command has a time out value to ensure that if a stream of data is being sent to the CM900, the CM900 will not delay clearing the buffer too long.

EXAMPLE

The following example will clear the 256K buffer on serial COM1, the Clear Serial Buffer Command cannot exceed 2 seconds.

Command from PLC

| MSB | LSB | Remarks |
|-----|-----|--|
| 01H | 13H | COM1 port, perform Command 13 |
| 01H | 90H | Command time out (0190H x 5 ms = 2 sec.) |
| FFH | FFH | Message Terminator |

Response from CM900

| MSB | LSB | Remarks |
|-----|-----|-------------------------|
| 01H | 13H | Port echo, Command echo |
| FFH | FFH | Message Terminator |

Command 20 (20 Hex): Posted Block Write

DESCRIPTION

This command posts an RF Block Write on the antenna port.

DISCUSSION

The antenna is polled for twenty milli-seconds every program scan of the CM900. Bit 2 is set to indicate that a Posted Block Write is in progress. When an RF tag moves within range of the polling antenna the Block Write will be complete. As the posted write is completed, bit 0 is set, and bit 2 is cleared. See page 35 for information on the Status Byte.

Note:

If another command is called during the polling that takes two seconds or longer to complete, i.e. a serial command with a two second time-out, the antenna will not get polled for the time required by that command.

EXAMPLE

The following command will post a contiguous Block Write on the antenna port. When a tag comes into range of Antenna 0, starting at address 10 dec on the tag it will write 3 hex, E hex, and A hex in consecutive addresses.

Command from PLC

| MSB | LSB | Remarks |
|-----|-----|---|
| 00H | 20H | ANT port, perform Command 20 |
| 00H | 0AH | Posted Block Write starting Address (10 dec) |
| 00H | 03H | Posted data to be written at starting address (10 dec) |
| 00H | 0DH | Posted data to be written at starting address plus one (11 dec) |
| 00H | 0E | Posted data to be written at starting address plus two (12 dec) |
| 00H | 0AH | Posted data to be written at starting address plus three (13 dec) |
| FFH | FFH | Message Terminator |

Response from CM900

| MSB | LSB | Remarks |
|-----|-----|-------------------------|
| 00H | 20H | Port echo, Command echo |
| FFH | FFH | Message Terminator |

Command 21 (21 Hex): Posted Block Read

DESCRIPTION

This command posts a contiguous Block Read on a Antenna 0.

DISCUSSIONS

The antenna is polled for twenty milli-seconds every scan of the CM900. Bit 3 will indicate that a posted Block Read is in progress. When an RF tag is within range of the polled antenna, the Block Read will be completed and the data read will be stored in the Posted Read Data Buffer in the CM900. As the posted Block Read is completed, the CM900 will turn on bit 1 and change bit 3. See page 35 for information on the Status Byte.

Note:

If another command is called during the polling that takes two seconds or longer to complete, i.e. a serial command with a two second time-out, the antenna will not get polled for the time required by that command.

EXAMPLE

The following command will post a Block Read on the antenna port at address 16 decimal for a length of five bytes.

Command from PLC

| MSB | LSB | Remarks |
|-----|-----|---|
| 00H | 21H | ANT port, perform Command 21 |
| 00H | 10H | Posted Block Read starting Address (16 dec) |
| 00H | 05H | Posted Block read length (5 dec) |
| FFH | FFH | Message Terminator |

Response from CM900

| MSB | LSB | Remarks |
|-----|-----|-------------------------|
| 00H | 21H | Port echo, Command echo |
| FFH | FFH | Message Terminator |

Command 22 (22 Hex): Read Posted Read Data Buffer

DESCRIPTION

This command reports the last data to be stored in the buffer by a Posted Block Read command.

DISCUSSION

CM900 will pass data stored in the buffer from the RF antenna to the PLC and update Status Byte bit 1.

EXAMPLE

The following example requests the CM900 to read the data collected in the Posted Read Data Buffer from the RF antenna.*

Command from PLC

| MSB | LSB | Remarks |
|-----|-----|-----------------------------|
| 00H | 22H | RF port, perform Command 22 |
| FFH | FFH | Message Terminator |

Response from CM900

| MSB | LSB | Remarks |
|-----|-----|---|
| 00H | 22H | Port echo, Command echo |
| 00H | 23H | Data read at starting address (16 dec) |
| 00H | 45H | Data read at starting address plus one(17 dec) |
| 00H | BCH | Data read at starting address plus two (18 dec) |
| 00H | DEH | Data read at starting address plus three (19 dec) |
| 00H | 98H | Data read at starting address plus four (20 dec) |
| FFH | FFH | Message Terminator |

* Addresses are from the Post Block Read example on page 33.

Command 23 (23 Hex): Posted Commands Status Byte

DESCRIPTION

This command reports the status of all posted commands pending or completed for the RF port.

DISCUSSION

The Status Byte has the following structure:

| Table 5 — Posted Command Status Byte Structure | | |
|--|--------|--|
| Bit | Value | Description |
| 7 | 0 | Spare - always set to 0 |
| 6 | 0 | Spare - always set to 0 |
| 5 | 1 | Spare - always set to 1 |
| 4 | 1 | Spare - always set to 1 |
| 3 | 0 or 1 | <p>Posted Block Read Command in Process</p> <p>Set to 1 — After Posted Block Read was requested and before it is completed</p> <p>Reset to 0 — After tag moves into range of antenna and Posted Block Read Is completed</p> <p>— Cancel All Posted Operations Command has been requested</p> |
| 2 | 0 or 1 | <p>Posted Block Write Command in Process</p> <p>Set to 1 — After Posted Block Write was requested and before it is completed</p> <p>Reset to 0 — After tag moves into range of antenna and Posted Block Write Is completed</p> <p>— Cancel All Posted Operations Command has been requested</p> |
| 1 | 0 or 1 | <p>Posted Block Read Complete</p> <p>Set to 1 — Requested Posted Block Read was completed, Posted Read Data Buffer ready to read</p> <p>Reset to 0 — After Read Posted Block Read Data Buffer has been requested</p> <p>— Cancel All Posted Operations Command has been requested</p> |
| 0 | 0 or 1 | <p>Posted Block Write Complete</p> <p>Set to 1 — Requested Posted Block Write was completed</p> <p>Reset to 0 — After Status Byte has been requested</p> <p>— When a new posted Write/Read is requested</p> <p>— Cancel All Posted Operations Command has been requested</p> |

EXAMPLE

The following command requests the Posted Status Byte for the RF antenna.

Command from PLC

| MSB | LSB | Remarks |
|-----|-----|------------------------------|
| 00H | 23H | ANT port, perform Command 23 |
| FFH | FFH | Message Terminator |

Response from CM900

| MSB | LSB | Remarks |
|-----|-----|----------------------------|
| 00H | 23H | Port echo, Command echo |
| 00H | 34H | Status byte for RF antenna |
| FFH | FFH | Message Terminator |

Command 24 (24 Hex): Cancel Posted Operations

DESCRIPTION

This command cancels all Posted Read/Write commands and sets bits 0 - 3 of the Posted Status Byte to zero.

EXAMPLE

The following command will cancel all Posted Read/Write commands.

Command from PLC

| MSB | LSB | Remarks |
|-----|-----|------------------------------|
| 00H | 24H | ANT port, perform Command 24 |
| FFH | FFH | Message Terminator |

Response from CM900

| MSB | LSB | Remarks |
|-----|-----|-------------------------|
| 00H | 24H | Port echo, Command echo |
| FFH | FFH | Message Terminator |

5.7 Error Codes

The Standard Program will return the an error if it encounters a fault during operation. Error codes are returned in the LSB of the second register passed to the PLC. Table 6 lists these hex error codes and their meanings.

| Table 6 — Error Codes | |
|-----------------------------|---|
| Radio Frequency Error Codes | |
| Error Code | Description |
| 01 | Non-Contiguous Read has failed |
| 02 | Non-Contiguous Write has failed |
| 03 | Non-Contiguous Read/Write Configuration has failed |
| 04 | Fill Operation has failed |
| 05 | Contiguous Block Read has failed |
| 06 | Contiguous Block Write has failed |
| 08 | Search Tag Operation failed |
| 20 | Non-contiguous Read/Write attempted without Pre-Configuration |
| 21 | Input Command does not match pre-defined format |
| Serial Commands Error Codes | |
| Error Code | Description |
| 20 | Serial configuration command, invalid mode (232 or 422) |
| 21 | Serial configuration command, invalid baud rate (300, 600, 1200, 2400, 4800, 9600, 19200) |
| 22 | Serial configuration command, invalid parity assignment (1-none, 2-even, 3-odd) |
| 23 | Serial configuration command, invalid data bit assignment (7, 8) |
| 24 | Serial configuration command, invalid stop bit assignment (1, 2) |
| 25 | Serial read command, invalid amount of data to read in (1-124) |
| 26 | Serial read command, invalid timeout (1-32, 767) |
| 27 | Serial read command, timeout was achieved before data reached the port |
| 28 | Serial port clear buffer command, timeout was achieved before the port was cleared, possible data remaining in port |
| 29 | Serial port requested does not exist on the CM900 |
| 2A | COM2 is configured for RS422 communications |

Table 6 (continued) — Error Codes

Posted Radio Frequency Error Codes

| Error Code | Description |
|------------|---|
| 51 | Posted read/write requested was too large (should be less than 100 bytes) |
| 52 | Posted command is already active on antenna port one |
| 53 | Posted read/write address is out of range |
| 54 | Request for posted read buffer where there is no data present to report |

Miscellaneous Error Codes

| Error Code | Description |
|------------|--|
| 40 | Port assignment does not match the command assignment |
| 41 | End terminator (0xFF) was not located in the register packet |

A APPENDIX: NOTICE OF EMISSIONS

A.1 U.S. FCC Regulations

This equipment has been tested and found to comply with the limits for a Class A digital device, pursuant to Part 15 of the FCC rules. These limits are designed to provide reasonable protection against harmful interference when the equipment is operated in a commercial environment. This equipment generates, uses, and can radiate radio frequency energy and, if not installed and used in accordance with the instruction manual, may cause harmful interference to radio communications. Operation of this equipment in a residential area is likely to cause harmful interference in which case the user will be required to correct the interference at their own expense.

Changes or modifications not expressly approved by EMS could void the user's authority to operate this equipment.

A.2 Canadian RFI Regulations

This digital apparatus does not exceed the Class B limits for radio noise emissions from digital apparatus set out in the Radio Interference Regulations of the Canadian Department of Communications.

Le present appareil numerique n'emet pas de bruits radioelectriques depassant les limites applicables aux appareils numeriques de la classe B prescrites dans le Reglement sur le brouillage radioelectrique edicte par le ministere des Communications du Canada.

B APPENDIX: SPECIFICATIONS

Table 7 shows specifications for the CM900.

| Table 7 - CM900 Specifications | |
|--------------------------------------|---|
| Electrical | |
| Backplane - supplied by PLC | |
| Supply Voltage | — 5 VDC \pm 5% |
| Max. Current | — 250 mA |
| Front End - external supply required | |
| Supply Voltage | — 24 VDC \pm 5% |
| Max. Current | — 250 mA, 750 mA with RF antenna connected |
| Max. Ripple | — 2.0% of DC voltage |
| Internal Memory | |
| Master Microprocessor | — 32K byte battery-backed static RAM |
| Application Program Storage | — 32K byte EEPROM, 2K used by system |
| Communication with Host | |
| Compatibility | — Modicon Compact 984 PLC, direct-connect to backplane |
| Interface | — Modicon proprietary interface |
| RF Interface | |
| RFID Port Name | — ANT |
| Compatibility | — EMS HS500-Series Read/Write RFID antennas |
| Interface | — Proprietary EMS RFID interface |
| Max. Cable Length | — 4,000 ft. (1,200 m) |
| Serial Interface | |
| Serial Port Names | — COM1, COM2 (Programming/Debug) |
| Compatibility | — Any third party external serial devices |
| Interface | — COM1 - RS232/RS422, COM2 - RS232 |
| Baud Rate | — 300, 600, 1200, 2400, 4800, 9600, 19200 |
| Parity | — None, Odd, Even |
| Data Bits | — 7 or 8 |
| Stop Bits | — 1 or 2 |
| Modicon Interface | |
| Traffic-Cop Compatibility | — CM900 for 6-register transfer |
| SP1004 Loadable | — PLC function block allows transfer of 1-100 registers of data between PLC and CM900 |

Table 7 - CM900 Specifications (continued)

| | |
|---------------------------------------|--|
| Mechanical Specifications | |
| Dimensions (W x H x D) | — 1.57 x 5.59 x 4.43 in. (40 x 142 x 112.5 mm) |
| Weight | — .62 lbs |
| Connectors | |
| Backplane | — Direct plug-in to Modicon Compact 984 PLC Housings |
| 22-position plug-in terminal strip | — 24 VDC, COM1, COM2, ANT |
| LED Indicator — | — Power, Error, COM1 RX, COM1 TX, COM2 RX, COM2 TX, ANT |
| Environment | |
| Operating Temp | — +32° to +140° F (0° to +60°C) |
| Non-Operating Temp | — -40° to +185° F (-40° to +85°C), per IEC 68-2-14, Test Nb |
| Storage Temp | — -40° to +185° F (-40° to +85°C), per IEC 68-2-1/2, Test Ab and Bb |
| Humidity | — 0 to 95% non-condensing, per IEC 68-2-3, Test Ca |
| Shock Resistance | — 30G for 11 ms, per IEC 68-2-27, Test Ea |
| Vibration Resistance | — 1 G at 3 to 500 Hz for 23 minutes per plane, 1 octave/minute in all three planes per IEC 68-2-6, Test Fc |
| Altitude | — 15,000 ft. (4,540 m), per MIL-STD-810, Method 500.2, low pressure |
| ESD Immunity | — 4kV to all surfaces, per IEC 801-2, level tests |
| Magnetic Immunity | — Per IEC 801-3, Level 3 |
| Noise Emissions | — FCC Part 15, Subpart B, Class A; CDC Class B |

C APPENDIX: MODELS & ACCESSORIES

Table 8 lists the available models and accessories for the CM900.

| Table 8 — Models and Accessories | |
|----------------------------------|---|
| Available Models | |
| Part Number | Description |
| CM900 | Automatic Identification module for Modicon 984-A120 Compact and Micro programmable controller. One RFID port for EMS RFID antennas and two serial communications ports for interface to external serial devices. |
| Accessories | |
| Part Number | Description |
| SP1011-LIB | Software manual and libraries for use in developing custom application programs for the CM900. Diskette includes libraries and standard program source code, does not include C compiler, tools or compiler manual. C programming experience required. |
| 88-1001 | Franklin C compiler for CM900 software development |
| SP1004 | Software loadable program for most models of Modicon 984 CPU (excluding 984-A, -B, -X) and most models of the Modicom Compact Series (excluding compact CPU - 120 models). Required to run the standard program. |
| CBL-1182 | Demonstration cable set, includes two 10 ft. long RS232 connection cables to the main (DB-25S) and programming ports (DE-9P), 10 ft. long connection cable for a HS500/HS501 antenna, and 24 VDC wall mount power supply. Terminal connectors included. |
| CBL-1183 | Demonstration cable set, includes two 10 ft. long RS232 connection cables to the main (DB-25S) and programming ports (DE-9P), 10 ft. long connection cable for a HS500A/HS501A antenna, and 24 VDC wall mount power supply. Terminal connectors included. |
| CBL-1184 | Cable assembly, PC AT-to-CM900 programming cable, DE-9S to terminal strip. Includes power supply. |
| CBL-1185 | Cable assembly, PC XT-to-CM900 programming cable, DB-25S to terminal strip. Includes power supply. |
| 46-1286 | Connector assembly, CM900, for connection to pins 1-11 |
| 46-1285 | Connector assembly, CM900, for connection to pins 12-22 |
| Replacement Parts | |
| 17-1122 | Operator's Manual, CM900 AutoID Interface Module |
| 17-1079 | Software Manual, SP1011-LIB |
| 17-1080 | Software Manual, SP1004 Software Loadable for the Modicon Compact Series 984/CM900 Interface |

D APPENDIX: ASCII CHART

| Decimal | Hex | Character | Decimal | Hex | Character |
|---------|-----|-----------|---------|-----|-----------|
| 000 | 00 | NUL | 032 | 20 | (space) |
| 001 | 01 | SOH | 033 | 21 | ! |
| 002 | 02 | STX | 034 | 22 | " |
| 003 | 03 | ETX | 035 | 23 | # |
| 004 | 04 | EOT | 036 | 24 | \$ |
| 005 | 05 | ENQ | 037 | 25 | % |
| 006 | 06 | ACK | 038 | 26 | & |
| 007 | 07 | BEL | 039 | 27 | ' |
| 008 | 08 | BS | 040 | 28 | (|
| 009 | 09 | HT | 041 | 29 |) |
| 010 | 0A | LF | 042 | 2A | * |
| 011 | 0B | VT | 043 | 2B | + |
| 012 | 0C | FF | 044 | 2C | , |
| 013 | 0D | CR | 045 | 2D | - |
| 014 | 0E | SO | 046 | 2E | . |
| 015 | 0F | SI | 047 | 2F | / |
| 016 | 10 | DLE | 048 | 30 | 0 |
| 017 | 11 | DC1 | 049 | 31 | 1 |
| 018 | 12 | DC2 | 050 | 32 | 2 |
| 019 | 13 | DC3 | 051 | 33 | 3 |
| 020 | 14 | DC4 | 052 | 34 | 4 |
| 021 | 15 | NAK | 053 | 35 | 5 |
| 022 | 16 | SYN | 054 | 36 | 6 |
| 023 | 17 | ETB | 055 | 37 | 7 |
| 024 | 18 | CAN | 056 | 38 | 8 |
| 025 | 19 | EM | 057 | 39 | 9 |
| 026 | 1A | SUB | 058 | 3A | : |
| 027 | 1B | ESC | 059 | 3B | ; |
| 028 | 1C | FS | 060 | 3C | < |
| 029 | 1D | GS | 061 | 3D | = |
| 030 | 1E | RS | 062 | 3E | > |
| 031 | 1F | US | 063 | 3F | ? |

| Decimal | Hex | Character | Decimal | Hex | Character |
|---------|-----|-----------|---------|-----|-----------|
| 064 | 40 | @ | 098 | 62 | b |
| 065 | 41 | A | 099 | 63 | c |
| 066 | 42 | B | 100 | 64 | d |
| 067 | 43 | C | 101 | 65 | e |
| 068 | 44 | D | 102 | 66 | f |
| 069 | 45 | E | 103 | 67 | g |
| 070 | 46 | F | 104 | 68 | h |
| 071 | 47 | G | 105 | 69 | i |
| 072 | 48 | H | 106 | 6A | j |
| 073 | 49 | I | 107 | 6B | k |
| 074 | 4A | J | 108 | 6C | l |
| 075 | 4B | K | 109 | 6D | m |
| 076 | 4C | L | 110 | 6E | n |
| 077 | 4D | M | 111 | 6F | o |
| 078 | 4E | N | 112 | 70 | p |
| 079 | 4F | O | 113 | 71 | q |
| 080 | 50 | P | 114 | 72 | r |
| 081 | 51 | Q | 115 | 73 | s |
| 082 | 52 | R | 116 | 74 | t |
| 083 | 53 | S | 117 | 75 | u |
| 084 | 54 | T | 118 | 76 | v |
| 085 | 55 | U | 119 | 77 | w |
| 086 | 56 | V | 120 | 78 | x |
| 087 | 57 | W | 121 | 79 | y |
| 088 | 58 | X | 122 | 7A | z |
| 089 | 59 | Y | 123 | 7B | { |
| 090 | 5A | Z | 124 | 7C | |
| 091 | 5B | [| 125 | 7D | } |
| 092 | 5C | \ | 126 | 7E | ~ |
| 093 | 5D |] | 127 | 7F | DEL |
| 094 | 5E | ^ | | | |
| 095 | 5F | — | | | |
| 096 | 60 | ' | | | |
| 097 | 61 | a | | | |

Notes:



Artisan Technology Group is your source for quality new and certified-used/pre-owned equipment

- FAST SHIPPING AND DELIVERY
- TENS OF THOUSANDS OF IN-STOCK ITEMS
- EQUIPMENT DEMOS
- HUNDREDS OF MANUFACTURERS SUPPORTED
- LEASING/MONTHLY RENTALS
- ITAR CERTIFIED SECURE ASSET SOLUTIONS

SERVICE CENTER REPAIRS

Experienced engineers and technicians on staff at our full-service, in-house repair center

*InstraView*SM REMOTE INSPECTION

Remotely inspect equipment before purchasing with our interactive website at www.instraview.com ↗

WE BUY USED EQUIPMENT

Sell your excess, underutilized, and idle used equipment. We also offer credit for buy-backs and trade-ins. www.artisanng.com/WeBuyEquipment ↗

LOOKING FOR MORE INFORMATION?

Visit us on the web at www.artisanng.com ↗ for more information on price quotations, drivers, technical specifications, manuals, and documentation

Contact us: (888) 88-SOURCE | sales@artisanng.com | www.artisanng.com