



Artisan Technology Group is your source for quality new and certified-used/pre-owned equipment

- FAST SHIPPING AND DELIVERY
- TENS OF THOUSANDS OF IN-STOCK ITEMS
- EQUIPMENT DEMOS
- HUNDREDS OF MANUFACTURERS SUPPORTED
- LEASING/MONTHLY RENTALS
- ITAR CERTIFIED SECURE ASSET SOLUTIONS

SERVICE CENTER REPAIRS

Experienced engineers and technicians on staff at our full-service, in-house repair center

*InstraView*SM REMOTE INSPECTION

Remotely inspect equipment before purchasing with our interactive website at www.instraview.com ↗

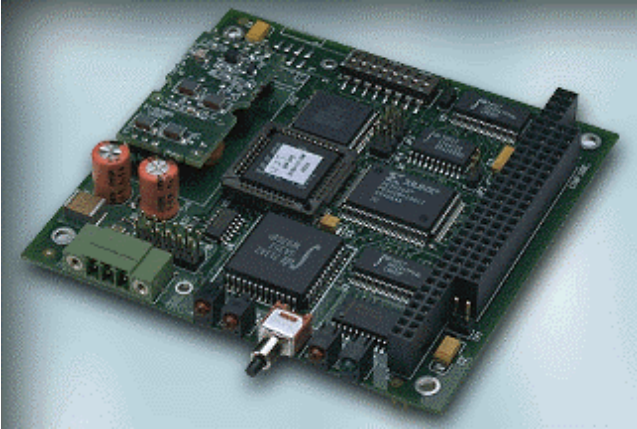
WE BUY USED EQUIPMENT

Sell your excess, underutilized, and idle used equipment. We also offer credit for buy-backs and trade-ins. www.artisanng.com/WeBuyEquipment ↗

LOOKING FOR MORE INFORMATION?

Visit us on the web at www.artisanng.com ↗ for more information on price quotations, drivers, technical specifications, manuals, and documentation

Contact us: (888) 88-SOURCE | sales@artisanng.com | www.artisanng.com



Engenuity Systems' PC104-LTNI and associated driver provide the hardware and low-level software for your LONWORKS® solution. Fully compatible with the PC/104 standard, the PC104-LTNI allows a LONWORKS network to be added to new and existing PC/104 equipment. Both data and commands are transferred between the host and network interface through polled I/O or interrupt driven I/O.

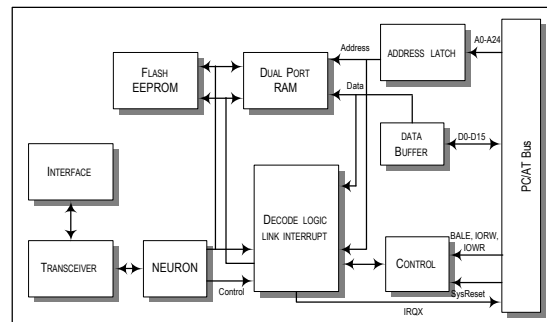
The PC104-LTNI implements the LonTalk® protocol using the Neuron® 3150® Chip and a semaphore-based, high performance MIP-DPS. It utilizes the same dependable architecture proven with years of operation in Engenuity's other LTNI products. Adding this interface will bring the same reliability to your LONWORKS-based system.

FEATURES

- **LON® COMMUNICATION CHANNEL**
 - Neuron 3150 Chip Operating at 10 MHz
 - Termination Circuitry Configurable by Jumpers
 - 0.6 Kbps to 1.25 Mbps Transmission Rates
 - 280 Packets/Sec, 700 Packets/Sec Peak
- **SELECTABLE TRANSCEIVER MODULE**
 - 1.25 Mbps or 78 Kbps Twisted Pair
 - Free Topology
 - TP-RS485
 - On Board Power Line with Decoupling Circuit
- **LONTALK PROTOCOL FIRMWARE**
 - Fully Compatible with any Neuron Based Product
 - Echelon®'s High Performance Microprocessor Interface Program-Dual Port System (MIP-DPS)
 - Follows the Seven-Layer Software Model
- **CONNECTORS**
 - Industrial, Vibration-Proof, Plug-In Connector for LONWORKS Network
 - Standard Connector for PC/104bus (passes all signals)
- **HARDWARE CONFIGURABLE**
 - Base Address Selected with 8-Bit DIP Switch
 - Supports Interrupts 3,4,5,6,7,9,10,11,12,14,15
- **ENVIRONMENTAL CONSIDERATIONS**
 - +5V @ 350mA (nominal)
 - 0° to 70° Celsius (Industrial Temp Upon Request)
 - 90% Non-Condensing Relative Humidity
- **OPERATING SYSTEM SUPPORT**
 - DOS
 - Windows
 - VxWorks
 - Others

FOR MORE INFORMATION

- **CALL:** (800) 375.3363 (USA ONLY)
(480) 782.5600
- **FAX:** (480) 782.5601
- **EMAIL:** info@engenuity.com
- **VISIT:** www.engenuity.com





Artisan Technology Group is your source for quality new and certified-used/pre-owned equipment

- FAST SHIPPING AND DELIVERY
- TENS OF THOUSANDS OF IN-STOCK ITEMS
- EQUIPMENT DEMOS
- HUNDREDS OF MANUFACTURERS SUPPORTED
- LEASING/MONTHLY RENTALS
- ITAR CERTIFIED SECURE ASSET SOLUTIONS

SERVICE CENTER REPAIRS

Experienced engineers and technicians on staff at our full-service, in-house repair center

*InstraView*SM REMOTE INSPECTION

Remotely inspect equipment before purchasing with our interactive website at www.instraview.com ↗

WE BUY USED EQUIPMENT

Sell your excess, underutilized, and idle used equipment. We also offer credit for buy-backs and trade-ins. www.artisanng.com/WeBuyEquipment ↗

LOOKING FOR MORE INFORMATION?

Visit us on the web at www.artisanng.com ↗ for more information on price quotations, drivers, technical specifications, manuals, and documentation

Contact us: (888) 88-SOURCE | sales@artisanng.com | www.artisanng.com