



Artisan Technology Group is your source for quality new and certified-used/pre-owned equipment

- FAST SHIPPING AND DELIVERY
- TENS OF THOUSANDS OF IN-STOCK ITEMS
- EQUIPMENT DEMOS
- HUNDREDS OF MANUFACTURERS SUPPORTED
- LEASING/MONTHLY RENTALS
- ITAR CERTIFIED SECURE ASSET SOLUTIONS

SERVICE CENTER REPAIRS

Experienced engineers and technicians on staff at our full-service, in-house repair center

*InstraView*SM REMOTE INSPECTION

Remotely inspect equipment before purchasing with our interactive website at www.instraview.com ↗

WE BUY USED EQUIPMENT

Sell your excess, underutilized, and idle used equipment. We also offer credit for buy-backs and trade-ins. www.artisanng.com/WeBuyEquipment ↗

LOOKING FOR MORE INFORMATION?

Visit us on the web at www.artisanng.com ↗ for more information on price quotations, drivers, technical specifications, manuals, and documentation

Contact us: (888) 88-SOURCE | sales@artisanng.com | www.artisanng.com

EXC-4000PCI Family

Test and Simulation Carrier Boards for PCI Systems

*EXC-4000PCI
EXC-4000cPCI*

*EXC-4000cPCI6U
EXC-4000PCIe*

User's Manual



Table of Contents

1 Introduction

1.1 Overview	1-1
1.1.1 EXC-4000PCI[e] Board Features	1-2
1.1.2 EXC-4000PCI[e] Block Diagram	1-3
1.1 Installation	1-4
1.1.1 Installing the Board	1-4
1.1.2 Adding Excalibur Software Tools	1-4
1.1 Technical Support	1-4

2 PCI Architecture

2.1 Memory Structure	2-2
2.2 PCI Configuration Space Header	2-3
2.3 PCI Configuration Registers	2-5
2.3.1 Vendor Identification Register (VID)	2-5
2.3.2 Device Identification Register (DID)	2-5
2.3.3 PCI Command Register (PCICMD)	2-5
2.3.4 PCI Status Register (PCISTS)	2-6
2.3.5 Revision Identification Register (RID)	2-7
2.3.6 Class Code Register (CLCD)	2-7
2.3.7 Cache Line Register Size Register (CALN)	2-8
2.3.8 Latency Timer Register (LAT)	2-8
2.3.9 Header Type Register (HDR)	2-8
2.3.10 Built-In Self-Test Register (BIST)	2-8
2.3.11 Base Address Registers (BADR)	2-9
2.3.12 Cardbus CIS Pointer	2-10
2.3.13 Subsystem ID	2-10
2.3.14 Subvendor ID	2-10
2.3.15 Expansion ROM Base Address Register (XROM)	2-10
2.3.16 PCI Capabilities Pointer	2-10
2.3.17 Interrupt Line Register (INTLN)	2-11
2.3.18 Interrupt Pin Register (INTPIN)	2-11
2.3.19 Minimum Grant Register (MINGNT)	2-11
2.3.20 Maximum Latency Register (MAXLAT)	2-11
2.4 DMA Registers for PCI Express	2-12
2.4.1 DMA0 Address of Contiguous Host Memory (Low and High)	2-12
2.4.2 DMA0 Data Transfer Size	2-13
2.4.3 DMA0 Control Register	2-13
2.4.4 DMA1 Address of Contiguous Host Memory	2-13
2.4.5 DMA1 Data Transfer Size	2-14
2.4.6 DMA1 Control Register	2-14
2.4.7 DMA Interrupt Status Register	2-15
2.4.8 Base Address for DMA0 and DMA1 Transfers	2-15
2.5 Module Memory Space Map	2-15
2.6 EXC-4000PCI[e] Global Registers Map	2-16
2.6.1 Board Identification Register	2-17
2.6.2 Software Reset Register	2-17
2.6.3 Interrupt Status Register	2-18
2.6.4 Interrupt Reset Register	2-18
2.6.5 Module Info Registers	2-19
2.6.6 Time Tag Clock Select Register	2-19
2.6.7 Byte Swapping	2-19

2.6.8	FPGA Revision Register	2-20
2.7	IRIG B Global Registers	2-20
2.7.1	Sync IRIG B Register	2-21
2.7.2	IRIG B Time SBS High Register	2-21
2.7.3	IRIG B Time SBS Low Register	2-21
2.7.4	IRIG B Time Days Register	2-21
2.7.5	IRIG B Time Hours Register	2-22
2.7.6	IRIG B Time Minutes Register	2-22
2.7.7	IRIG B Time Seconds Register	2-22
2.7.8	Control Functions Registers	2-22
2.7.9	FPGA Revision Register	2-22
2.8	Global Timer Registers	2-23
2.8.1	Timer Prescale Register	2-23
2.8.2	Timer Preload Register	2-23
2.8.3	Timer Control Register	2-23
2.8.4	General Purpose Timer Register	2-24
3 Mechanical and Electrical Specifications		
3.1	Board Layout	3-2
3.1.1	<i>EXC-4000PCI</i>	3-2
3.1.2	<i>EXC-4000PCle</i>	3-2
3.1.3	<i>EXC-4000cPCI</i>	3-3
3.1.4	<i>EXC-4000cPCI6U</i>	3-4
3.2	Led Indicators	3-5
3.3	DIP Switches	3-5
3.3.1	Selected ID DIP Switch [SW1]	3-5
3.4	Connectors	3-6
3.4.1	List of Connectors Per Carrier Board	3-6
3.4.2	Communications I/O Connectors	3-9
3.4.3	PCI, PCI Express and cPCI Bus Connectors	3-25
3.4.4	External Signals Connector [J2]	3-28
3.4.5	Power Connector for <i>EXC-4000PCle</i> Express Cards	3-30
3.5	Power Requirements	3-31
4 Ordering Information		

Figures

Figure 1-1	<i>EXC-4000PCI[e]</i> Block Diagram	1-3
Figure 2-1	PCI Configuration Space Header	2-3
Figure 2-2	PCI Express Configuration Space Header	2-4
Figure 2-3	Module Memory Space Map	2-15
Figure 2-4	<i>EXC-4000PCI[e]</i> Global and IRIG B Registers Map	2-16
Figure 3-1	<i>EXC-4000PCI</i> Board Layout	3-2
Figure 3-2	<i>EXC-4000PCIe</i> Board Layout	3-2
Figure 3-3	<i>EXC-4000cPCI</i> Board Layout	3-3
Figure 3-4	<i>EXC-4000cPCI6U</i> Board Layout	3-4
Figure 3-5	DIP Switch SW1 with All Switches Set to ON (Select ID#0)	3-5
Figure 3-6	96-Pin Female I/O Connector [J1] and Mating Cable Connector – Front View	3-9
Figure 3-7	<i>M4K1553Px</i> Module Twinax Connector – Front View	3-11
Figure 3-8	<i>M4K429RTx</i> Module Adapter Cable Connector – HDB 26-Pin Female – Front View	3-13
Figure 3-9	<i>M4KDiscrete</i> Module Adapter Cable Connector – DB 25-Pin Female – Front View	3-14
Figure 3-10	<i>M4KSerial</i> Module Adapter Cable Connector – DB 25-Pin Male – Front View	3-16
Figure 3-11	<i>M4KCAN</i> Module Adapter Cable Connector – HDB 26-Pin Male – Front View	3-18
Figure 3-12	<i>M4K708</i> Module Twinax Connector – Front View	3-19
Figure 3-13	<i>M4KMMSI</i> Module Adapter Cable Connector – HDB 26-Pin Female – Front View	3-21
Figure 3-14	<i>M4KH009</i> Module Twinax Connector – Front View	3-22
Figure 3-15	Rear I/O Connector for 32-Bit cPCI Systems – Front View	3-23
Figure 3-16	Rear I/O Connector for cPCI6U Systems – Front View	3-24
Figure 3-17	P1 Bus Connector – Front View	3-27
Figure 3-18	8-Pin Male Connector [J2] – Front View	3-28
Figure 3-19	Synchronization of a Single <i>EXC-4000PCI[e]</i> board to an External System	3-29
Figure 3-20	Synchronization of an External System to a Single <i>EXC-4000PCI[e]</i> Board	3-29
Figure 3-21	Synchronization Between <i>EXC-4000PCI[e]</i> Boards	3-30
Figure 3-22	4-Pin Male <i>EXC-4000PCIe</i> Power Connector – Front View	3-30

Tables

Table 2-1	PCI Command Register	2-5
Table 2-2	PCI Status Register for PCI Boards	2-6
Table 2-3	PCI Status Register for PCIe Boards	2-7
Table 2-4	Base Address Registers Definition for PCI Board	2-9
Table 2-5	Base Address Registers Definition for PCIe Board	2-9
Table 2-6	Base Address Register for PCI Board	2-9
Table 2-7	Base Address Register for PCIe Board	2-10
Table 2-8	DMA0 Control Register	2-13
Table 2-9	DMA1 Control Register	2-14
Table 2-10	Board Identification Register	2-17
Table 2-11	Software Reset Register	2-17
Table 2-12	Interrupt Status Register	2-18
Table 2-13	Interrupt Reset Register	2-18
Table 2-14	Module Info Registers	2-19
Table 2-15	Time Tag Clock Select Register	2-19
Table 2-16	Byte Swapping Register	2-19
Table 2-17	Sync IRIGB Register	2-21
Table 2-18	Timer Prescale/General Purpose Timer Resolution	2-23
Table 2-19	Timer Control Register	2-24
Table 3-1	Led Indicators	3-5
Table 3-2	Dip Switch settings for unique ‘Selected ID’	3-5
Table 3-3	Selected ID Bits	3-5
Table 3-4	<i>M4K1553Px</i> Module Terminal Stick and Adapter Cable Pinouts	3-10
Table 3-5	<i>M4K429RTx</i> Module Terminal Stick and Adapter Cable Pinouts	3-12
Table 3-6	<i>M4KDiscrete</i> Module Terminal Stick and Adapter Cable Pinouts	3-14
Table 3-7	<i>M4KSerial</i> Module Terminal Stick and Adapter Cable Pinouts	3-15

Table 3-8	<i>M4KCAN</i> Module Terminal Stick and Adapter Cable Pinouts	3-17
Table 3-9	<i>M4K708</i> Module Terminal Stick and Adapter Cable Pinouts	3-19
Table 3-10	<i>M4KMMSI</i> Module Terminal Stick and Adapter Cable Pinouts	3-20
Table 3-11	<i>M4KH009</i> Module Terminal Stick and Adapter Cable Pinouts	3-22
Table 3-12	Rear I/O Connector for 32-Bit cPCI Systems Pinouts [P2]	3-23
Table 3-13	Rear I/O Connector for cPCI6U Systems Pinouts [P4]	3-24
Table 3-14	PCI Bus Edge Connector Pinouts	3-25
Table 3-15	PCI Express Bus Edge Connector Pinouts	3-26
Table 3-16	cPCI Bus Connector Pinouts [P1]	3-27
Table 3-17	Connector J2 Pinouts	3-28
Table 3-18	External Signals Description [Connector J2]	3-28
Table 3-19	PCIe Power Connector Pin Assignments	3-30
Table 4-1	Ordering Information	4-1
Table 4-2	M4K Module Codes and Part Numbers	4-1

1 Introduction

1.1 Overview	1-1
1.1.1 <i>EXC-4000PCI[e]</i> Board Features	1-2
1.1.2 <i>EXC-4000PCI[e]</i> Block Diagram	1-3
1.1 Installation	1-4
1.1.1 Installing the Board	1-4
1.1.2 Adding Excalibur Software Tools	1-4
1.1 Technical Support	1-4

This user's manual is for the *EXC-4000PCI* family of carrier boards. Unless otherwise indicated, all references to the *EXC-4000PCI[e]* apply to entire *EXC-4000PCI* family. For a list of available boards, see **Chapter 4 Ordering Information**. For mechanical and electrical differences between the various boards, see **Chapter 3 Mechanical and Electrical Specifications**.

Note: The *EXC-4000PCIe* board will not work without the power cable connected. See section 1.1.1 Installing the Board on page 1-4.

1.1 Overview

The *EXC-4000PCI[e]* is a multiprotocol PCI interface board for avionics test and simulation applications. Each board holds up to four independent modules¹ where each module can be any one of the following types:

M4K1553Px	MIL-STD-1553 interface module. This module operates as a Bus Controller, up to 32 Remote Terminals and as a Bus Monitor. Supports an Internal Concurrent Monitor in RT and BC/RT modes.
M4K1553Px-1760	Same as M4K1553Px plus MIL-STD-1760 options.
M4K429RTx	ARINC 429 multi-channel interface module. This module supports either five or ten ARINC 429 channels each of which can be configured in real time as a receive or transmit channel.
M4KDiscrete	Discrete I/O interface module. This module supports 20 bi-directional discretes with TTL (0 to 5 volts) or avionics (0 to 32 volts) voltage levels.
M4KSerial	Serial communications interface module. This module supports either two or four independent channels of serial communications, each of which can be selected as RS485, RS422 or RS232.
M4KCAN	CAN protocol interface module. This module supports either two, four or six independent channels of CAN 2.0B protocol with standard and extended message frames and message identifiers.
M4K708	ARINC 708 interface module. This module supports two channels of ARINC 708/453, each one selectable as either transmit or receive
M4KMMSI	Mini Munitions Store Interface module. This module supports RT, BC/ Concurrent-RT/ Concurrent Monitor and Bus Monitor modes. Up to 8 hub ports EBR-1553 (10 Mbps MIL-STD-1553 protocol using RS-485 transceivers) and 1 monitor output.
M4KH009	H009 interface module. This double size module supports a fully functional H009 channel (CCC, multi-PU,MON) and a concurrent Bus Monitor.

1. The only exception is the double-size M4KH009 module which occupies two module slots.

Excalibur will be adding modules to those listed above, increasing the *EXC-4000PCI[e]*'s flexibility even further.

Users may choose to populate the board with different types of modules or with multiple modules of the same type. For example, populating the board with four M4K429RT10 modules will give you *forty* programmable channels.

All modules come with Windows drivers, including source code, a mating connector with four terminal sticks and a plastic hood.

Excalibur also produces standard adapter cables for each module which can be ordered separately.

1.1.1 *EXC-4000PCI[e]* Board Features

General Specifications

Supports up to 4 modules

Protocols supported: ARINC-429/575 (5 or 10 channels per module)
ARINC 708/453
MIL-STD-1553 (Px and MCH compatible)
MIL-STD-1760
Discrete I/O
Serial - RS485/RS422/RS232
H009
CAN
MMSI

Timer: 16-bit count down timer

Resolution: 1 μ s min, 65536 μ s max

Output: Interrupt, Global reset

Operating Environment

Temperature: 0° - 70°C standard temp.
-40° - +85°C extended temp. (optional)

Humidity: 5% - 90% non-condensing

	PCI Board	PCIe Board	cPCI Board	cPCI6U Board
MTBF (at 25°C, G _F , S217F):	201,400 hours	188,540 hours	197,200 hours	TBD

Physical Characteristics

	PCI Board	PCIe Board	cPCI Board	cPCI6U Board
Dimension:	174mm - 106.7mm	188mm - 106.7mm	160mm - 100mm	160mm - 233mm
Weight (without modules):	135g	136g	152g	280g

Host Interface

PCI compliance: Target 8/16 bit

PCI Express compliance: x1 lane PCIe v1.1 with incorporated DMA data transfer

Memory space occupied: 512 Kbytes (128K per module)

Interrupts: INTA#

IRIG B Time Code Input

Carrier wave: 1KHz Amplitude modulated sine wave

Rate Designation: 100 peaks per second

Modulation ratio: 3:1

Input Amplitude: 0.8 V_{pp} min, 3.5 V_{pp} max, 3 V_{pp} Typ

Coded Expressions supported: BCD Time-of-Year code word, Control functions, straight binary seconds time-of-day (seconds-of-day)

Application: Synchronization of Time Tags, display and IRIG B time

Software Support

C Drivers with source code

Mystic Windows software for 429 modules

MerlinPlus Windows software for Px modules

Merlin Windows software for MCH modules

Exalt and ExaltPlus [Optional - contact your Excalibur representative for details]

1.1.2 EXC-4000PCI[e] Block Diagram

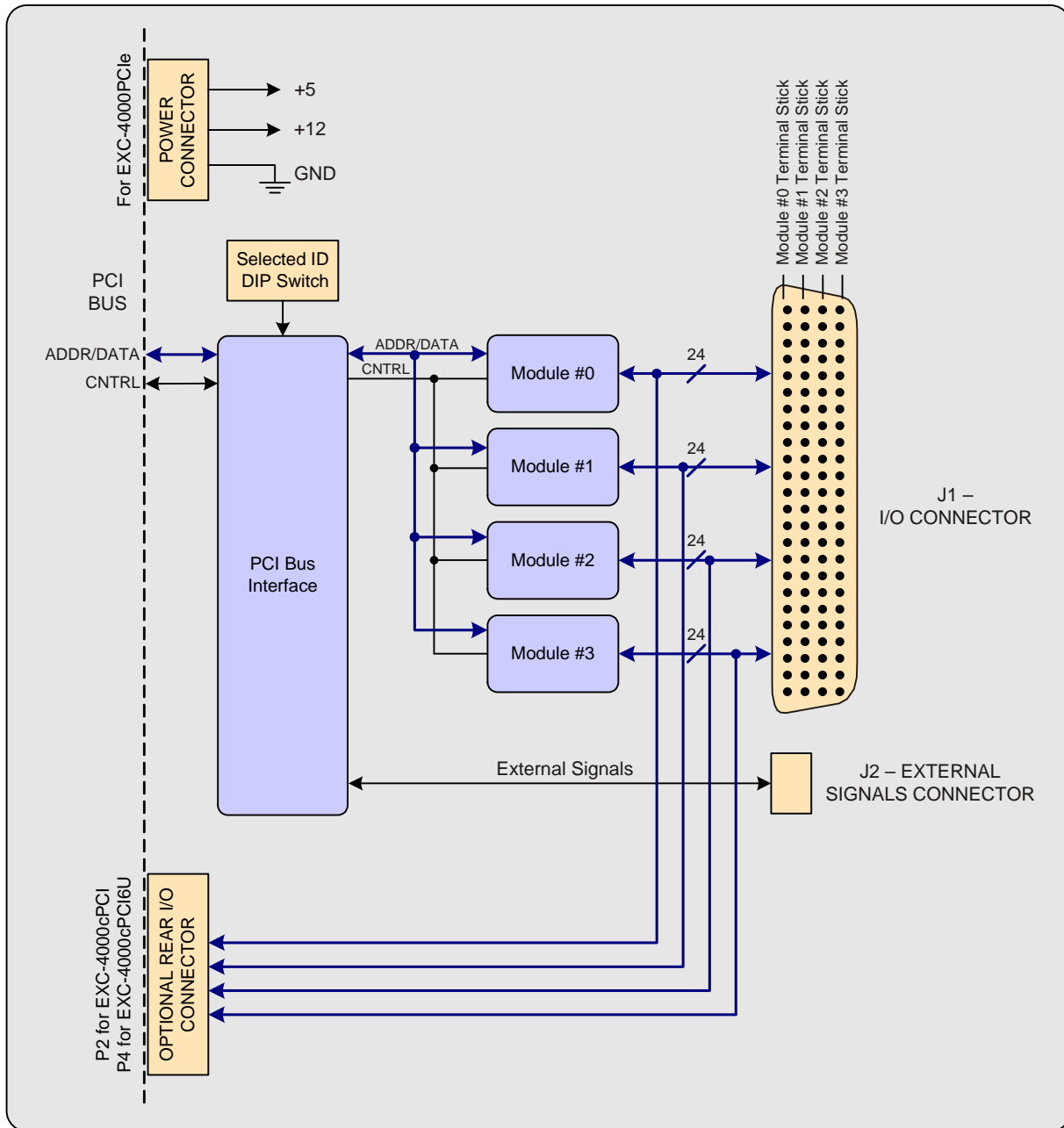


Figure 1-1 EXC-4000PCI[e] Block Diagram

1.1 Installation

To operate the *EXC-4000PCI[e]* board:

1. Install the board in the computer.
2. Add Excalibur Software Tools to the hard disk.

1.1.1 Installing the Board

Installation of the *EXC-4000PCI[e]* board is similar to that of all PCI “Local Bus” boards. The *EXC-4000PCI[e]* complies with the “Plug and Play” specification of the PCI standard. As such, its absolute address is determined by the BIOS at start-up.

Warning: Wear a suitably grounded electrostatic discharge wrist strap whenever handling the Excalibur board and use all necessary antistatic precautionary measures.

To install the *EXC-4000PCI[e]*:

1. Make certain the computer’s power source is disconnected.
2. For PCI Express, you must connect one of the computer’s power cables to the *EXC-4000PCIe* board. For more information, see section **3.4.5 Power Connector for EXC-4000PCIe Express Cards** on page 3-30.
3. Insert the board into a compatible slot (PCI, cPCI or PCI Express).
4. For *EXC-4000PCI* and *EXC-4000PCIe*, tighten the board’s PCI bracket with the slot screw, to ground the board to the computer.
5. Attach the adapter cable to the board and to the communication bus. The cable may be connected to and disconnected from the board while power to the computer is turned on, but not while the board is transmitting over the bus.

A **Found New Hardware** message appears.

6. Follow the on-screen instructions for your specific operating system and service pack.

Note: The *EXC-4000PCIe* board will not work without the power cable connected.

1.1.2 Adding Excalibur Software Tools

The standard software included with the *EXC-4000PCI[e]* card is for Windows operating systems. Software compatible with other operating systems is available and can be downloaded from our website: www.mil-1553.com

For information about adding the accompanying software drivers, see the **readme.pdf** file for the *EXC-4000PCI[e]* on the *Excalibur Installation CD*.

1.1 Technical Support

Excalibur Systems is ready to assist you with any technical questions you may have. For technical support, see the Technical Support section of our website: www.mil-1553.com. You can also contact us by phone. To find the location nearest you, see the Contact section of our website.

2 PCI Architecture

Chapter 2 describes the PCI architecture. The following topics are covered:

2.1	Memory Structure	2-2
2.2	PCI Configuration Space Header	2-3
2.3	PCI Configuration Registers	2-5
2.3.1	Vendor Identification Register (VID)	2-5
2.3.2	Device Identification Register (DID)	2-5
2.3.3	PCI Command Register (PCICMD)	2-5
2.3.4	PCI Status Register (PCISTS)	2-6
2.3.5	Revision Identification Register (RID)	2-7
2.3.6	Class Code Register (CLCD)	2-7
2.3.7	Cache Line Register Size Register (CALN)	2-8
2.3.8	Latency Timer Register (LAT)	2-8
2.3.9	Header Type Register (HDR)	2-8
2.3.10	Built-In Self-Test Register (BIST)	2-8
2.3.11	Base Address Registers (BADR)	2-9
2.3.12	Cardbus CIS Pointer	2-10
2.3.13	Subsystem ID	2-10
2.3.14	Subvendor ID	2-10
2.3.15	Expansion ROM Base Address Register (XROM)	2-10
2.3.16	PCI Capabilities Pointer	2-10
2.3.17	Interrupt Line Register (INTLN)	2-11
2.3.18	Interrupt Pin Register (INTPIN)	2-11
2.3.19	Minimum Grant Register (MINGNT)	2-11
2.3.20	Maximum Latency Register (MAXLAT)	2-11
2.4	DMA Registers for PCI Express	2-12
2.4.1	DMA0 Address of Contiguous Host Memory (Low and High)	2-12
2.4.2	DMA0 Data Transfer Size	2-13
2.4.3	DMA0 Control Register	2-13
2.4.4	DMA1 Address of Contiguous Host Memory	2-13
2.4.5	DMA1 Data Transfer Size	2-14
2.4.6	DMA1 Control Register	2-14
2.4.7	DMA Interrupt Status Register	2-15
2.4.8	Base Address for DMA0 and DMA1 Transfers	2-15
2.5	Module Memory Space Map	2-15
2.6	EXC-4000PCI[e] Global Registers Map	2-16
2.6.1	Board Identification Register	2-17
2.6.2	Software Reset Register	2-17
2.6.3	Interrupt Status Register	2-18
2.6.4	Interrupt Reset Register	2-18
2.6.5	Module Info Registers	2-19
2.6.6	Time Tag Clock Select Register	2-19
2.6.7	Byte Swapping	2-19
2.6.8	FPGA Revision Register	2-20
2.7	IRIG B Global Registers	2-20
2.7.1	Sync IRIG B Register	2-21
2.7.2	IRIG B Time SBS High Register	2-21
2.7.3	IRIG B Time SBS Low Register	2-21
2.7.4	IRIG B Time Days Register	2-21
2.7.5	IRIG B Time Hours Register	2-22
2.7.6	IRIG B Time Minutes Register	2-22
2.7.7	IRIG B Time Seconds Register	2-22
2.7.8	Control Functions Registers	2-22
2.7.9	FPGA Revision Register	2-22
2.8	Global Timer Registers	2-23

2.8.1	Timer Prescale Register	2-23
2.8.2	Timer Preload Register	2-23
2.8.3	Timer Control Register	2-23
2.8.4	General Purpose Timer Register	2-24

2.1 Memory Structure

The *EXC-4000PCI* requests two memory blocks:

- The first memory block (Base 0) is 512 KB in size and contains the memory space for the modules on the carrier board. For more information, see section **2.5 Module Memory Space Map** on page 2-15.
- The second memory block (Base 1) is 128 bytes in size (in hardware revision 2.9 or later; 64 bytes in revision 2.8 or earlier) and contains the Global Registers. For more information, see section **2.6 EXC-4000PCI[e] Global Registers Map** on page 2-16.

The *EXC-4000PCIe* requests three memory blocks:

- The first memory block (Base 0) is 512 KB in size and contains the memory space for the modules on the board. For more information, see section **2.5 Module Memory Space Map** on page 2-15.
- The second memory block (Base 2) is 4 KB in size and contains the Global Registers. For more information, see section **2.5 Module Memory Space Map** on page 2-15.
- The third memory block (Base 4) is 8 KB in size and contains the DMA Registers. For more information, see section **2.4 DMA Registers for PCI Express** on page 2-12.

2.2 PCI Configuration Space Header

The board includes a PCI Configuration Space Header, as required by the PCI specification. The registers contained in this header enable software to set up the Plug and Play operation of the board, and set aside system resources.

The following figures show the PCI and PCIe Configuration Space Header:

MAX_LAT	MIN_GNT	Interrupt Pin	Interrupt Line	3C H				
Reserved = 0s				38 H				
Reserved = 0s			Cap. pointer	34 H				
Expansion ROM Base Address (not used)				30 H				
Subsystem ID		Subsystem Vendor ID		2C H				
Cardbus CIS Pointer (not used = 0s)				28 H				
Base Address Register #5 (not used)				24 H				
Base Address Register #4 (not used)				20 H				
Base Address Register #3 (not used)				1C H				
Base Address Register #2 (not used)				18 H				
Base Address Register #1 – Global Registers				14 H				
Base Address Register #0 Module Memory Space				10 H				
BIST	Header Type = 0	Latency Timer	Cache Line Size	0C H				
Class Code			Rev ID	08 H				
Status Register		Command Register		04 H				
Device ID		Vendor ID		00 H				
31	24	23	16	15	08	07	00	

Figure 2-1 PCI Configuration Space Header

MAX_LAT	MIN_GNT	Interrupt Pin	Interrupt Line	3C H				
Reserved = 0s				38 H				
Reserved = 0s			Cap. pointer	34 H				
Expansion ROM Base Address (not used)				30 H				
Subsystem ID		Subsystem Vendor ID		2C H				
Cardbus CIS Pointer – not used = 0s				28 H				
Base Address Register #5 – not used				24 H				
Base Address Register #4 – DMA Registers				20 H				
Base Address Register #3 – Reserved				1C H				
Base Address Register #2 – Global Registers				18 H				
Base Address Register #1 – Reserved				14 H				
Base Address Register #0 – Module Memory Space				10 H				
BIST	Header Type = 0	Latency Timer	Cache Line Size	0C H				
Class Code			Rev ID	08 H				
Status Register		Command Register		04 H				
Device ID		Vendor ID		00 H				
31	24	23	16	15	08	07	00	

Figure 2-2 PCI Express Configuration Space Header

2.3 PCI Configuration Registers

2.3.1 Vendor Identification Register (VID) Address: 00–01 (H)

Power-up value 1405 H
Size: 16 bits

The Vendor Identification register contains the PCI Special Interest Group vendor identification number assigned to Excalibur Systems.

2.3.2 Device Identification Register (DID) Address: 02–03 (H)

Power-up value: **PCI Board:** 4000 H
 cPCI Board: 4001 H
 PCle Board: E400 H
Size: 16 bits

The Device Identification register contains the board's device identification number.

2.3.3 PCI Command Register (PCICMD) Address: 04–05 (H)

Power-up value: 0000 H
Size: 16 bits

The PCI Command register contains the PCI Command.

Bit	Bit Name	Description
10-15	Reserved	Set to 0s
09	Fast Back-to Back Enable	Always set to 0
08	System Error Enable	Always set to 0
07	Address Stepping Support	For PCI Board: Always set to 1 For PCle Board: Always set to 0
06	Parity Error Enable	Always set to 0
05	VGA Palette Snoop Enable	Always set to 0
04	Memory Write and Invalidate Enable	Always set to 0
03	Special Cycle Enable	Always set to 0
02	Bus Master Enable	For PCI Board: Always set to 0 For PCle Board: Always set to 1
01	Memory Access Enable	Always set to 1
00	I/O Access Enable	Since the <i>EXC-4000PCI[e]</i> board does not use I/O space, the value of this register is ignored.

Table 2-1 PCI Command Register

2.3.4 PCI Status Register (PCISTS)

Address: 06-07 (H)

Power-up value: 0080 H

Size: 16 bits

The PCI Status register contains the PCI status information.

Bit	Bit Name	Description
15	Detected Parity Error	This bit is set whenever a parity error is detected. It functions independently from the state of Command Register Bit 6. This bit may be cleared by writing a 1 to this location.
14	Signaled System Error	Not used
13	Received Master Abort	Not used
12	Received Target Abort	Not used
11	Signaled Target Abort	This bit is set whenever this device aborts a cycle when addressed as a target. This bit can be reset by writing a 1 to this location.
09-10	Device Select (DEVSEL#) Timing Status	Set to 10 (slow timing)
08	Data Parity Reported	Not used
07	Fast Back-to-Back Capable	Set to 1
06	Reserved	
05	66MHz capable	Set to 0
04	Capability List enable	Set to 1
00-03	Reserved	

Table 2-2 PCI Status Register for PCI Boards

Bit	Bit Name	Description
15	Detected Parity Error	This bit is set whenever a parity error is detected. It functions independently from the state of Command Register Bit 6. This bit may be cleared by writing a 1 to this location.
14	Signaled System Error	Not used
13	Received Master Abort	This bit is set when the device receives a master abort to terminate a transaction. This bit can be reset by writing a 1 to this location.
12	Received Target Abort	Not used
11	Signaled Target Abort	Not used
09-10	Device Select (DEVSEL#) Timing Status	Set to 00 (fast timing)
08	Data Parity Reported	Not used
07	Fast Back-to-Back Capable	Set to 0
06	UDF Supported	Set to 0
05	66MHz capable	Set to 0
04	Capability List enable	Set to 1
03	Interrupt Status	This bit is set when an interrupt is received.
00-02	Reserved	

Table 2-3 PCI Status Register for PCIe Boards

2.3.5 Revision Identification Register (RID) Address: 08 (H)

Power-up value: 01 H
Size: 8 bits

The Revision Identification register contains the revision identification number of the *EXC-4000PCI[e]*.

2.3.6 Class Code Register (CLCD) Address: 09–0B (H)

Power-up value: FF0000 H
Size: 24 bits

The Class code Register value indicates that the *EXC-4000PCI[e]* does not fit into any of the defined class codes.

2.3.7 Cache Line Register Size Register (CALN) Address: 0C (H)

Power-up value: PCI Board: 00 H
PCIe Board: 10 H

Size: 8 bits

Not used

2.3.8 Latency Timer Register (LAT) Address: 0D (H)

Power-up value: 00 H

Size: 8 bits

Not used

2.3.9 Header Type Register (HDR) Address: 0E (H)

Power-up value: 00 H

Size: 8 bits

The *EXC-4000PCI[e]* is a single function PCI device.

2.3.10 Built-In Self-Test Register (BIST) Address: 0F (H)

Power-up value: 00 H

Size: 8 bits

The Built-In Self-Test register is not implemented in the *EXC-4000PCI[e]*.

2.3.11 Base Address Registers (BADR) Address: 10, 14, 18, 1C, 20, 24 (H)

Power-up value: 00000000 H for each

Size: 32 bits

The Base Address Registers are used by the system BIOS to determine the number, size and base addresses of memory pages required by the board, within host address space.

For PCI Board: Two memory pages are required by the board: one for the module memory space and one for the Global Registers.

Register	Offset	Size	Function
Base Address 0	10 H	512 K Byte	Module memory space
Base Address 1	14 H	64 Byte	Global registers

Table 2-4 Base Address Registers Definition for PCI Board

For PCIe Board: Three memory pages are required by the board: one for the module memory space, one for the Global Registers and one for the DMA registers.

Register	Offset	Size	Function
Base Address 0	10 H	512 KB	Module memory space
Base Address 2	18 H	4 KB	Global registers
Base Address 4	20 H	8 KB	DMA registers

Table 2-5 Base Address Registers Definition for PCIe Board

Note: Each Base Address Register contains 32 bits. Since the PCI Express board uses 64-bit address space, each memory page covers two base addresses (0 – 1, 2 – 3, 4 – 5).

The following tables describe the bits of the Base Address Register.

Bit	Description
04-31	Address of memory region (with lower 4 bits removed)
03	Always 0 – memory is not prefetchable
01-02	Always 0 – memory may be mapped anywhere within the 32 bit memory space
00	Always 0 – indicates memory space

Table 2-6 Base Address Register for PCI Board

Bit	Description
04-31	Address of memory region (with lower 4 bits removed)
03	Always 1 – memory is prefetchable
01-02	Always 2 – memory may be mapped anywhere within the 64 bit memory space
00	Always 0 – indicates memory space

Table 2-7 Base Address Register for PCIe Board

2.3.12 Cardbus CIS Pointer **Address: 28 (H)**

Power-up value: 00000000 H

Size: 32 bits

The Cardbus Pointer is not implemented on the *EXC-4000PCI[e]*.

2.3.13 Subsystem ID **Address: 2C (H)**

Power-up value: 0000 H

Size: 16 bits

2.3.14 Subvendor ID **Address: 2E (H)**

Power-up value: 0000 H

Size: 16 bits

2.3.15 Expansion ROM Base Address Register (XROM) **Address: 30 (H)**

Power-up value: 00000000 H

Size: 32 bits

The Expansion ROM Space is not implemented on the *EXC-4000PCI[e]*.

2.3.16 PCI Capabilities Pointer **Address: 34 (H)**

Power-up value: 50 H

Size: 8 bits

The PCI Capabilities Pointer (Cap. Pointer) indicates the location of the PCI Capabilities Identification (ID) Register. The Capabilities ID Register stores a pointer to a structure within the configuration space. With a known Capabilities ID value, the associated structure can be found during the scanning process.

2.3.17 Interrupt Line Register (INTLN) Address: 3C (H)**Power-up value:** 00 H**Size:** 8 bits

The Interrupt Line register indicates the interrupt routing for the PCI Controller. The value of this register is system-architecture specific. For x86-based PCs, the values in this register correspond with the established interrupt numbers associated with the dual 8259 controllers used in those machines; the values of 1 to F (H) correspond with the IRQ numbers 1 through 15, and the values from 10(H) to FE (H) are reserved. The value of 255 signifies either “unknown” or “no connection” for the system interrupt.

2.3.18 Interrupt Pin Register (INTPIN) Address: 3D (H)**Power-up value:** 01 H**Size:** 8 bits

Set to INTA#

2.3.19 Minimum Grant Register (MINGNT) Address: 3E (H)**Power-up value:** 00 H**Size:** 8 bits

The Minimum Grant register is not implemented on the *EXC-4000PCI[e]*.

2.3.20 Maximum Latency Register (MAXLAT) Address: 3F (H)**Power-up value:** 00 H**Size:** 8 bits

The Maximum Latency register is not implemented on the *EXC-4000PCI[e]*.

2.4.2 DMA0 Data Transfer Size **Address: 08 (H)**
Length 32 bits

This register contains the total amount of data (in bytes) to be written during a DMA write transfer. The total transfer size must be written to this register by the user. The transfer size value stored in this register is automatically decremented during the process of the DMA transfer. The current value stored indicates the remaining amount of data that needs to be transferred. Upon successful completion of a DMA write transfer, the value of this register should be 0.

2.4.3 DMA0 Control Register **Address: 0C (H)**
Length 32 bits

This register contains information about, and controls, the DMA write data transfer.

Bit	Description	
12-13	Reserved – set to 0	
08-11	DMA channel state	These bits describe the state of the DMA write channel. 0000 = (idle state) Last transfer ended successfully 0001 = (idle state) Last transfer was stopped by a module 0010 = (idle state) Last transfer ended because of CPL timeout 0011 = (idle state) Last transfer ended because of CPL UR error 0100 = (idle state) Last transfer ended because of CPL CA error 0101 – 0111 = (idle state) Reserved 1000 = (busy state) The DMA channel is busy processing 1001 = (busy state) Requesting transfer. The DMA channel is in the process of requesting data from the host computer 1010 = (busy state) The DMA channel is waiting for completion of a read data transfer in response to a DMA read request 1011 = (busy state) Waiting for board to provide/accept data. The DMA channel is waiting for completion of a data transfer to or from the internal module memory. 1100 – 1111 = (busy state) Reserved
04-07	Reserved – set to 0	
03	Abort DMA transfer	1 = Abort transfer 0 = no effect
02	Start DMA transfer	1 = Start DMA transfer 0 = no effect
00-01	Reserved – set to 0	

Table 2-8 DMA0 Control Register

2.4.4 DMA1 Address of Contiguous Host Memory **Address: 10 (H) (Low)**
14 (H) (High)
Length 64 bits

The start address of the Contiguous Host Memory must be written to this register by the user. The address stored in this register is automatically incremented during the process of the DMA transfer. The current value in this register is the address following (the address of) the last requested data.

Upon successful completion of a transfer, this register contains the following value: Start Address + Read Transfer Size, where Start Address is the start address of the Contiguous Host Memory.

2.4.5 DMA1 Data Transfer Size **Address: 18 (H)**
Length 32 bits

This register contains the total amount of data (in bytes) to be read during a DMA read transfer. The total transfer size must be written to this register by the user. The transfer size value stored in this register is automatically decremented during the process of the DMA transfer. The current value stored indicates the remaining amount of data that needs to be transferred. Upon successful completion of a DMA read transfer, the value of this register should be 0.

2.4.6 DMA1 Control Register **Address: 1C (H)**
Length 32 bits

This register contains information about, and controls, the DMA read data transfer.

Bit	Description	
12-13	Reserved – set to 0	
08-11	DMA channel state	These bits describe the state of the DMA read channel. 0000 = (idle state) Last transfer ended successfully 0001 = (idle state) Last transfer was stopped by a module 0010 = (idle state) Last transfer ended because of CPL timeout 0011 = (idle state) Last transfer ended because of CPL UR error 0100 = (idle state) Last transfer ended because of CPL CA error 0101 – 0111 = (idle state) Reserved 1000 = (busy state) The DMA channel is busy processing 1001 = (busy state) Requesting transfer. The DMA channel is in the process of requesting data from the host computer 1010 = (busy state) The DMA channel is waiting for completion of a read data transfer in response to a DMA read request 1011 = (busy state) Waiting for board to provide/accept data. The DMA channel is waiting for completion of a data transfer to or from the internal module memory. 1100 – 1111 = (busy state) Reserved
04-07	Reserved – set to 0	
03	Abort DMA transfer	1 = Abort transfer 0 = no effect
02	Start DMA transfer	1 = Start DMA transfer 0 = no effect
00-01	Reserved – set to 0	

Table 2-9 DMA1 Control Register

2.4.7 DMA Interrupt Status Register **Address: 34 (H)**
Length 2 bits

Bit 0 of this register is set upon completion of a DMA transfer on DMA0 (DMA write). Bit 1 is set upon completion of a DMA transfer on DMA1 (DMA read). To clear either bit, write a 1 to the corresponding location.

Note: The two bits of the DMA Interrupt Status Register work together with the five bits of the Global Interrupt Status Register. When any of these seven bits are set, an interrupt is generated. To locate the source of an interrupt to the host, both of these registers need to be read.

In order to reset an interrupt, you must reset the appropriate bits of **both** the DMA Interrupt Status Register **and** the Global Interrupt Reset Register. See **2.6.3 Interrupt Status Register** on page 2-18.

2.4.8 Base Address for DMA0 and DMA1 Transfers **Address: 40 (H)**
Length 32 bits

This register contains the start address of the current DMA transfer (read or write transfer). The base must be written to this register by the user.

2.5 Module Memory Space Map

The module memory space map resides in the first memory block. Each module is allocated a space of 128KB which is mapped as shown in **Figure 2-3 Module Memory Space Map**. (See Chapter 4 **Ordering Information** for information on the available modules for this carrier board.)

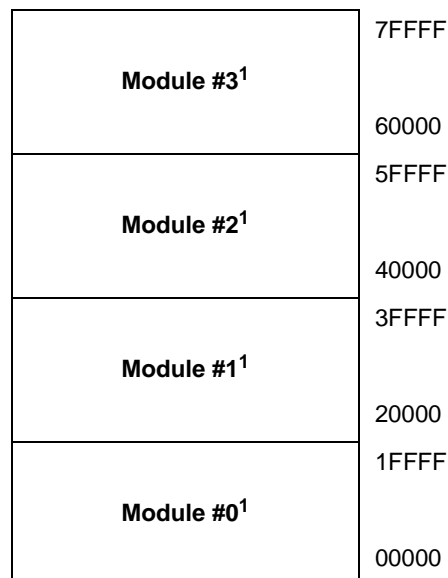


Figure 2-3 Module Memory Space Map

1. See the module's user's manual for detailed information on module operation.

2.6 EXC-4000PCI[e] Global Registers Map

The board global registers reside in the second memory block.

General Purpose Timer																28 H	
Reserved										Timer Control						26 H	
Timer Preload																24 H	
Timer Prescale																22 H	
FPGA Revision																20 H	
Control Functions Low																1E H	
Reserved							Control Functions Hi									1C H	
IRIG B Time Minutes			IRIG B Time Seconds			IRIG B Time Days						IRIG B Time Hours				1A H	
IRIG B Time SBS Low																18 H	
Reserved							Sync IRIG B			Reserved						SBS Hi ¹	14 H
Byte Swapping																12 H	
Time Tag Clock Select																10 H	
Module 3 Info																0E H	
Module 2 Info																0C H	
Module 1 Info																0A H	
Module 0 Info																08 H	
Interrupt Reset																06 H	
Interrupt Status																04 H	
Software Reset																02 H	
Board ID																00 H	

Bit No. 15 14 13 12 11 10 9 8 7 6 5 4 3 2 1 0

Figure 2-4 EXC-4000PCI[e] Global and IRIG B Registers Map

1. IRIG B Time SBS Hi Register

2.6.1 Board Identification Register

Address: 00 (H)
Length: 16 bits

Read only The Board Identification register comprises the following identification items.

Bit	Description
04-15	For PCI Board: Hard coded to the value 400 H For PCIe Board: Hard coded to the value 4E0 H
00-03	Selected ID See section 3.3.1 Selected ID DIP Switch [SW1] on page 3-5.

Table 2-10 Board Identification Register

2.6.2 Software Reset Register

Address: 02 (H)
Length: 16 bits

Read/Write The Software Reset register performs reset operations of the modules. Individual modules may be reset.

Bit 04, the Global Time Tag reset bit, resets all the module's Time Tag counters.

Bit	Description
05-15	Reserved – set to 0
04	Global time tag reset 1 = reset all time tag counters 0 = no effect
03	Module 3 reset 1 = reset module 0 = no effect
02	Module 2 reset 1 = reset module 0 = no effect
01	Module 1 reset 1 = reset module 0 = no effect
00	Module 0 reset 1 = reset module 0 = no effect

Table 2-11 Software Reset Register

2.6.3 Interrupt Status Register**Address: 04 (H)**
Length 16 bits**Read only** The Interrupt Status register indicates which modules are currently interrupting or if the General Purpose Timer has produced an interrupt.

Bit	Description
05-15	Reserved – set to 0
04	1 = indicates that an interrupt was generated by the General Purpose Timer [See section 2.8 Global Timer Registers on page 2-23]
03	1 = indicates that module 3 is interrupting
02	1 = indicates that module 2 is interrupting
01	1 = indicates that module 1 is interrupting
00	1 = indicates that module 0 is interrupting

Table 2-12 Interrupt Status Register**Note:** See also 2.4.7 DMA Interrupt Status Register on page 2-15.**2.6.4 Interrupt Reset Register****Address: 06 (H)**
Length 16 bits**Write only** The Interrupt Reset register resets the interrupting modules by writing to the relevant bits of the register.

Bit	Description
05-15	Reserved – set to 0
04	1 = Resets General Purpose Timer interrupt 0 = No effect
03	1 = Resets module 3 interrupt 0 = No effect
02	1 = Resets module 2 interrupt 0 = No effect
01	1 = Resets module 1 interrupt 0 = No effect
00	1 = Resets module 0 interrupt 0 = No effect

Table 2-13 Interrupt Reset Register**Note:** See also 2.4.7 DMA Interrupt Status Register on page 2-15.

2.6.5 Module Info Registers **Address: 08, 0A, 0C, 0E (H)**
Length 16 bits each

Read only The Module Info Registers provide identification information for each of the modules.

Bit	Description
12-15	Module ID 00 H = Module 0 Info register 01 H = Module 1 Info register 02 H = Module 2 Info register 03 H = Module 3 Info register
05-11	Reserved – set to 0
00-04	Module type 02 H = M4KSerial 03 H = M4K1553MCH module (Not available for PCI Express-based carrier boards) 04 H = M4K429RTx module 05 H = M4K1553Px module 06 H = M4KMMSI module 07 H = M4K708 module 09 H = M4KH009 module 0C H = M4KCAN module 0D H = M4KDiscrete module 1F H = no module installed

Table 2-14 Module Info Registers

2.6.6 Time Tag Clock Select Register **Address: 10 (H)**
Length 16 bits

Read/Write The Time Tag Clock Select Register is used to set either an internal (1 MHz) or external source for the board's Global Time Tag Clock. See section 3.4.4 External Signals Connector [J2] on page 3-28, for details of the External Time Tag Clock.

Bit	Description
01-15	Reserved – set to 0
00	Time Tag Clock Select 1 = External Source 0 = Internal Source [Default]

Table 2-15 Time Tag Clock Select Register

2.6.7 Byte Swapping **Address: 12 (H)**
Length 16 bits

Read/Write The Byte Swapping Register may be used to swap the high byte with the low byte of the module memory space and the global registers on the *EXC-4000PCI[e]*. This may be useful on some host computers that byte-swap their memory.

Bit	Description
00-15	A1A1 Enable byte swapping Any other value Disable byte swapping (Default)

Table 2-16 Byte Swapping Register

2.6.8	FPGA Revision Register	Address:	20 (H)
		Length	16 bits
Read only	The FPGA Revision register contains the FPGA revision of the board.		

2.7 IRIG B Global Registers

The *EXC-4000PCI[e]* is able to receive and decode standard serial IRIG B time code format signals (1 KHz carrier wave, sine wave - amplitude modulated, 100 peaks per second) via its External Signal Connector J2. See section **3.4.4 External Signals Connector [J2]** on page 3-28.

The IRIG B signal, which contains 3 types of words within each Time Code Frame, can be used to synchronize the Time Tags of the modules on the *EXC-4000PCI[e]*.

- 1st Word Time-of-year in binary coded decimal (BCD) notation in hours, minutes and seconds.
- 2nd Word Set of bits reserved for decoding various control, identification and other special purpose functions.
- 3rd Word Seconds-of-day weighted in straight binary seconds (SBS) notation

These three words can be stored and displayed in the IRIG B global registers 14 - 1E (H).

See **Figure 2-4 EXC-4000PCI[e] Global and IRIG B Registers Map** on page 2-16 for the location of the registers on the memory map.

Note: The synchronization of IRIG B time can take up to two seconds. IRIG B functions are meant to be used on an occasional basis, not on a constant basis.

2.7.1 Sync IRIG B Register **Address: 14 (H)**
Bits 08 – 10

Read/Write The 3-bit Sync IRIG B register controls the synchronization of a module's Time Tags relative to the IRIG B input signal and the display of the IRIG B time within the IRIG B time registers.

Bit	Description
10	1 Set by board to indicate that the current IRIG B time has been stored in the IRIG B registers
	0 No IRIG B time has been stored in the IRIG B registers. This bit must be reset by the user after the board has written a '1'.
09	1 Stores and displays the IRIG B time and control functions into the 6 IRIG B registers (14-1E [H]) corresponding to the previous valid IRIG B message. If bit 08 is set, then the IRIG B time will be stored at the same time that the Time tags are reset. To calculate the realtime to which the Time tags are synchronized the user will need to add '1' to the value of the IRIG B time stored into these registers.
	0 The previous valid IRIG B message should not be stored in the IRIG B registers. This bit will be automatically reset by the board after the storage of the IRIG B time.
08	1 Resets and synchronizes Time Tags of all the modules to the next rising edge of the on-time Reference Point Pr of the IRIG B signal. Also sets Bit 09 to a value of '1' in order to store and display the IRIG B time and control functions into the 6 IRIG B registers.
	0 No reset/synchronization of Time tags relative to the Pr of the IRIG B signal. This bit will be automatically reset by board after reset of time tags

Table 2-17 Sync IRIGB Register

Note: All bits are read and write.

2.7.2 IRIG B Time SBS High Register **Address: 14 (H)**
Bit 0

Read only The IRIG B Time SBS High register contains the MSB of the 17 bit straight binary representation of the seconds-of-day code word within the IRIG B message.

2.7.3 IRIG B Time SBS Low Register **Address: 16 (H)**
Bits 15 – 0

Read only The IRIG B Time SBS Low register contains the lower 16 bits of the 17 bit straight binary representation of the seconds-of-day code word within the IRIG B message.

2.7.4 IRIG B Time Days Register **Address: 18 (H)**
Bits 15 – 6

Read only The IRIG B Time Days register contains the days value of the BCD time-of-year subword within the IRIG B coded message.

- 2.7.5 IRIG B Time Hours Register** **Address: 18 (H)**
Bits 5 – 0
- Read only** The IRIG B Time Hours register contains the hours value of the BCD time-of-year subword within the IRIG B coded message.
- 2.7.6 IRIG B Time Minutes Register** **Address: 1A (H)**
Bits 14 – 8
- Read only** The IRIG B Time Minutes register contains the minutes value of the BCD time-of-year subword within the IRIG B coded message.
- 2.7.7 IRIG B Time Seconds Register** **Address: 1A (H)**
Bits 6 – 0
- Read only** The IRIG B Time Seconds register contains the seconds value of the BCD time-of-year subword within the IRIG B coded message.
- 2.7.8 Control Functions Registers** **Hi Register Address: 1C (H) / Bits 10 – 0**
Low Register Address: 1E (H) / Bits 15 – 0
- Read only** The IRIG B time code formats reserve 27 bits known as Control Functions. The Control Functions are for user-defined encoding of various control, identification or other special purpose functions. No standard coding system exists. The control bits may be programmed in any predetermined coding system.
- 2.7.9 FPGA Revision Register** **Address: 20 (H)**
Bits 15 – 0
- Read only** The FPGA Revision register contains the FPGA revision of the board.

2.8 Global Timer Registers

See **Figure 2-4 EXC-4000PCI[e] Global and IRIG B Registers Map** on page 2-16 for location of the registers on the memory map.

2.8.1 Timer Prescale Register

Address: 22 (H)
Bits: 15 – 0

Read/Write The Timer Prescale Register defines the resolution of the General Purpose Timer. It is based on the Global Time Tag Clock (nominally 1 MHz) and thus will give the General Purpose Timer resolution as follows:

Timer Prescale Register Value (DEC)	General Purpose Time Resolution (μ sec)
0 or 1	1 (default)
2	2
3	3
•	•
•	•
•	•
10	10
•	•
•	•
•	•
65535	65535

Table 2-18 Timer Prescale/General Purpose Timer Resolution

Note: The Timer Prescale register can only be changed when the timer has been stopped.

2.8.2 Timer Preload Register

Address: 24 (H)
Bits: 15 – 0

Read/Write The value stored in the Timer Preload Register sets the starting count value for the General Purpose Timer from which it will start to count down. The Timer Preload Register can only be changed while the timer is stopped and has a maximum count value of 65535.

Note: The General Purpose Timer will not start counting if a value of zero is stored into the Timer Preload Register.

Default value: 00 00

2.8.3 Timer Control Register

Address: 26 (H)
Bits: 3 – 0

Read/Write The Timer Control Register is used to control the General Purpose Timer register. The value stored in bits 01 to 03 take effect when the General Purpose timer reaches a value of zero. Bit 00 is used to start and stop the General Purpose

Timer. The values of bits 01 – 03 can only be changed when the General Purpose Timer register is stopped.

Default value: 00 00

Bit	Description		
04-15	Reserved - set to 0		
03	Global reset on count completed	1 0	Causes global reset of all installed modules No effect
02	Interrupt on count completed	1 0	Output an interrupt (see section 2.6.3 Interrupt Status Register on page 2-18) No effect
01	Reload mode	1 0	Reload mode Non-reload/One-shot mode
00	Start/Stop	1 0	Start Stop

Table 2-19 Timer Control Register

2.8.4 General Purpose Timer Register

Address: 28 (H)
Bits 15 – 0

Read Only The General Purpose Timer Register stores the current count value of the General Purpose Timer. The General Purpose Timer is controlled by the Timer Control Register. When the General Purpose Timer is started it will count down to zero, at which point either an interrupt can be generated and or all installed modules can be reset.

If the General Purpose Timer is in reload mode then the current value in Timer Preload Register will be stored into the General Purpose Timer and the timer will start to count down from this value.

If the General Purpose Timer is in non-reload / one shot mode, when it reaches zero it will stop and a value of zero will be displayed in the General Purpose Timer Register. In this case bit 00 (Start/Stop bit) of the Timer Control Register will automatically be set to zero in this case. If the General purpose Timer Register is then started it will start to count from the current Timer Preload Register value automatically (without the need to do a write to the Timer Preload Register).

At any point in time, the General Purpose Timer can be stopped at the current count value. When a start is then issued, the General purpose Timer will start to count down from this current count value. If the user wishes to stop the counter and start from the original preload value or from a new preload value, this value will need to be rewritten into the Timer Preload register prior to the restarting of the General Purpose Timer register.

Note: The maximum clock period of the General Purpose Timer is 4295 seconds (1 hour, 11min & 35 Seconds).

3 Mechanical and Electrical Specifications

Chapter 3 describes the mechanical and electrical specifications of the *EXC-4000PCI* family of carrier boards.

3.1 Board Layout	3-2
3.1.1 <i>EXC-4000PCI</i>	3-2
3.1.2 <i>EXC-4000PCIe</i>	3-2
3.1.3 <i>EXC-4000cPCI</i>	3-3
3.1.4 <i>EXC-4000cPCI6U</i>	3-4
3.2 Led Indicators	3-5
3.3 DIP Switches	3-5
3.3.1 Selected ID DIP Switch [SW1]	3-5
3.4 Connectors	3-6
3.4.1 List of Connectors Per Carrier Board	3-6
3.4.2 Communications I/O Connectors	3-9
3.4.3 PCI, PCI Express and cPCI Bus Connectors	3-25
3.4.4 External Signals Connector [J2]	3-28
3.4.5 Power Connector for <i>EXC-4000PCIe</i> Express Cards	3-30
3.5 Power Requirements	3-31

3.1 Board Layout

3.1.1 EXC-4000PCI

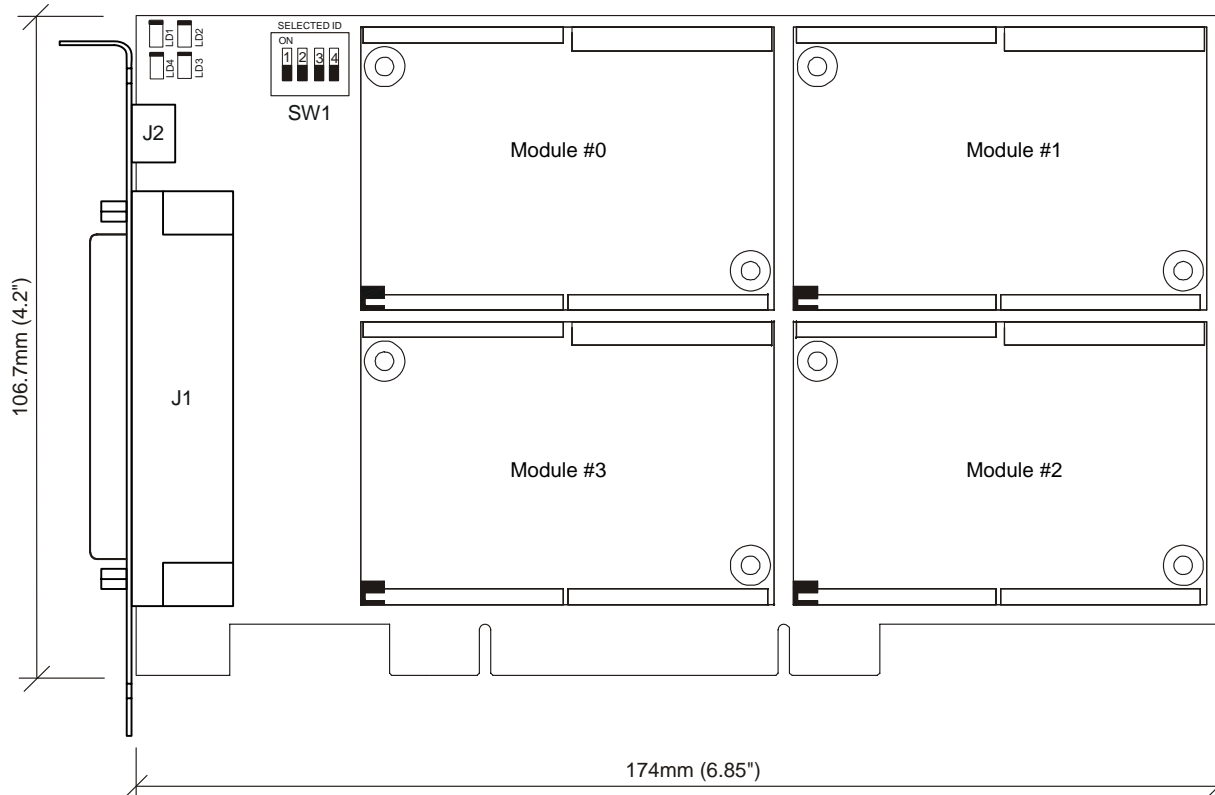


Figure 3-1 EXC-4000PCI Board Layout

3.1.2 EXC-4000PCIe

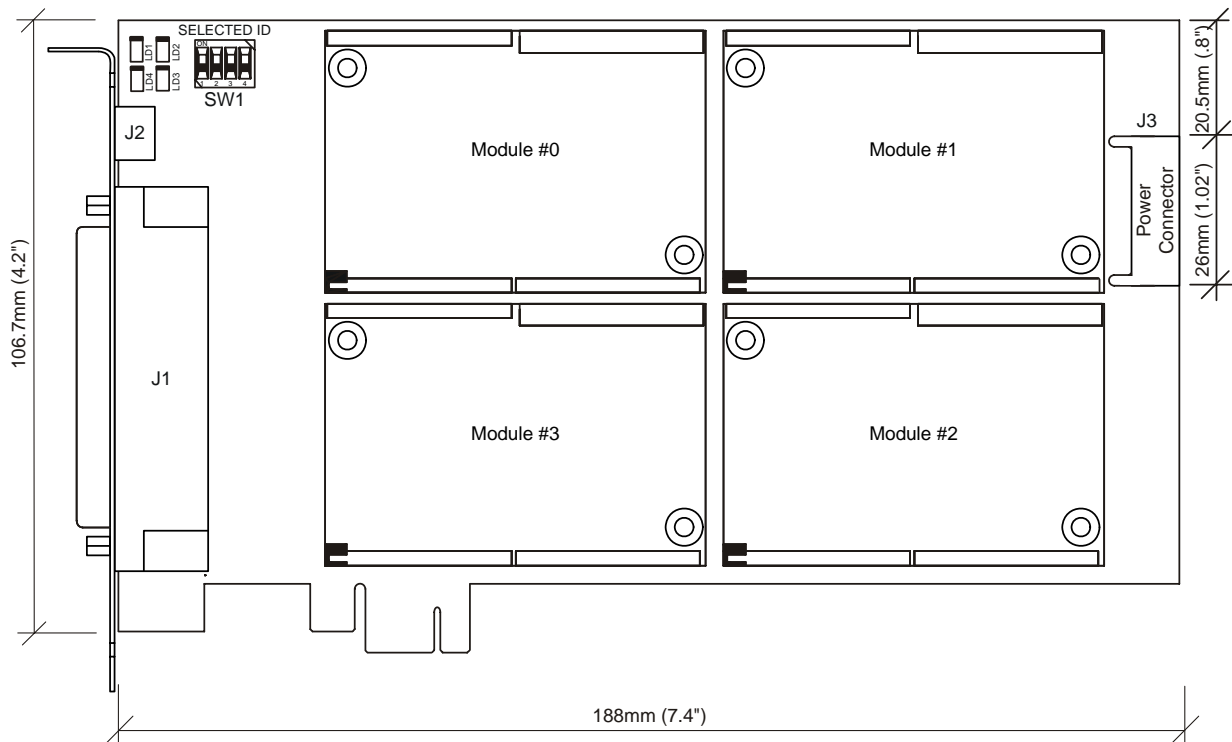


Figure 3-2 EXC-4000PCIe Board Layout

3.1.3 EXC-4000cPCI

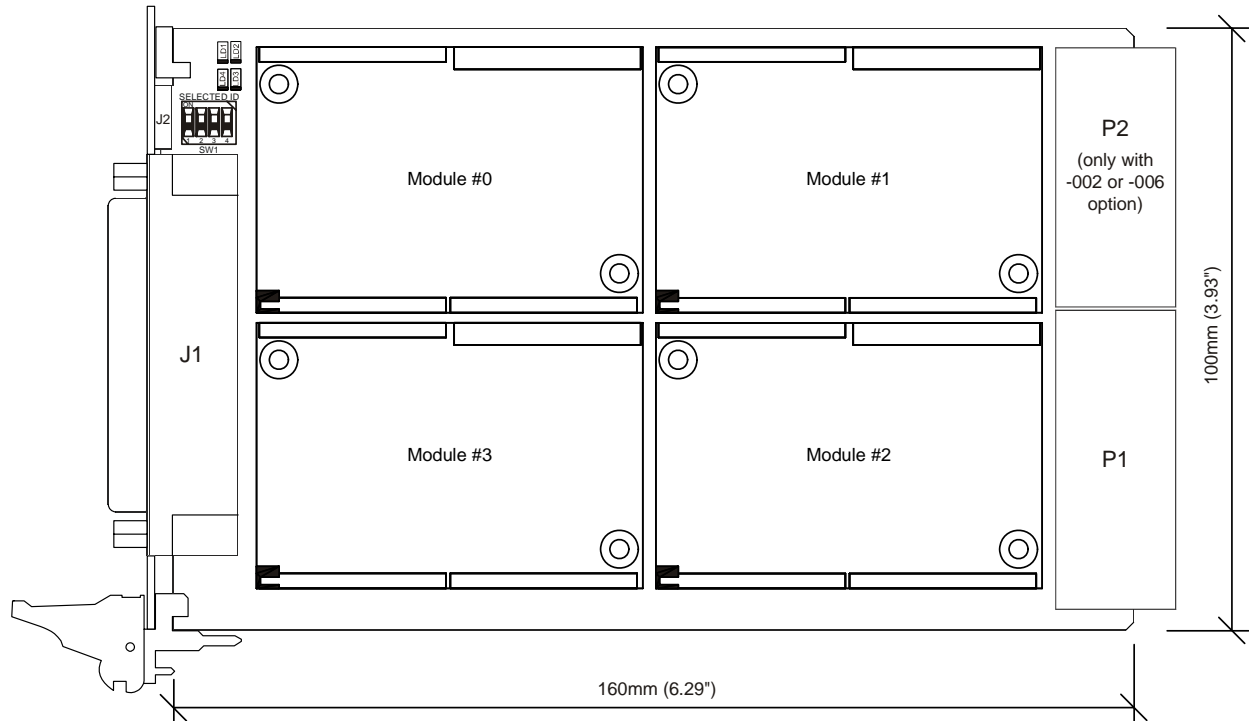


Figure 3-3 EXC-4000cPCI Board Layout

3.1.4 EXC-4000cPCI6U

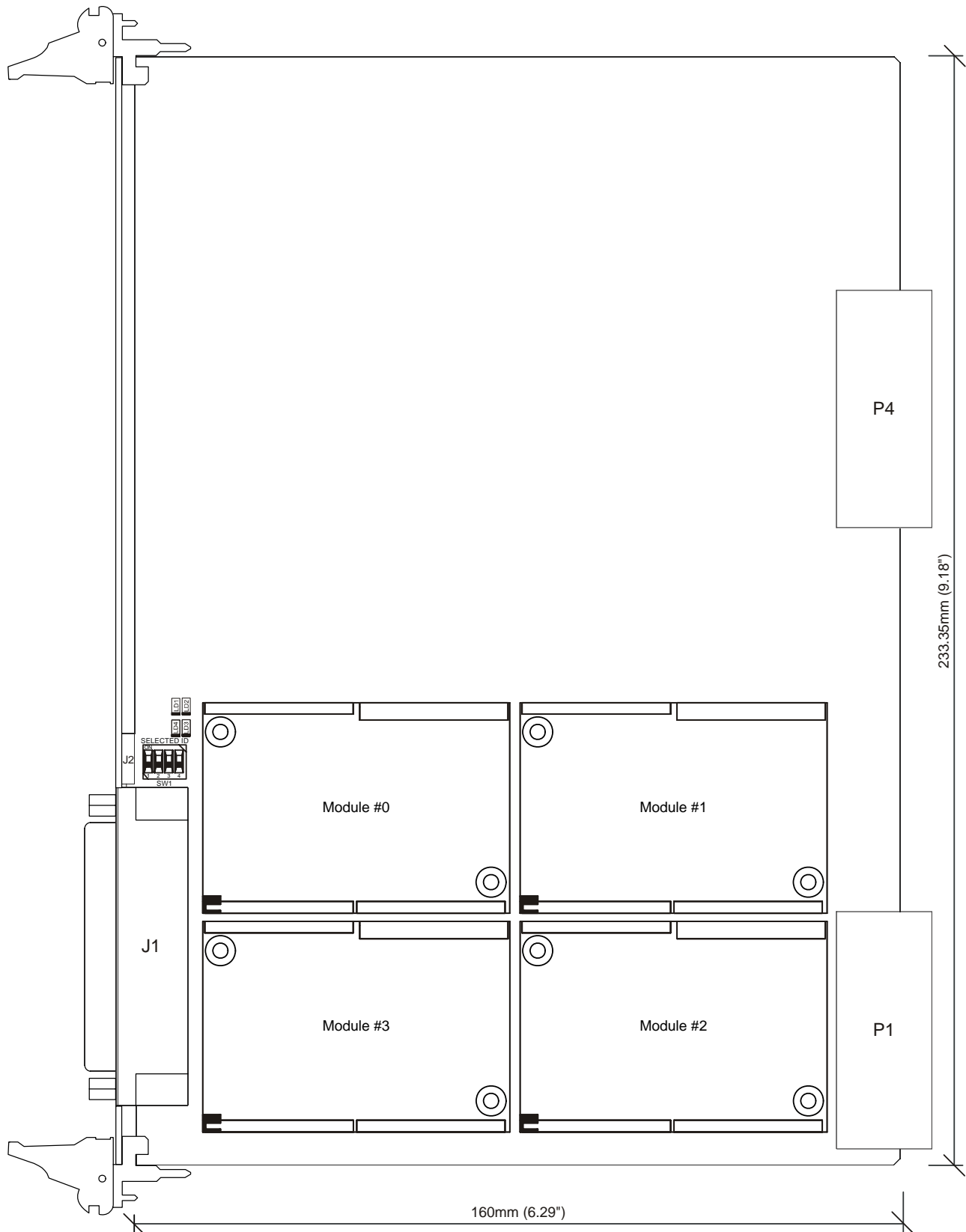


Figure 3-4 EXC-4000cPCI6U Board Layout

3.2 Led Indicators

The *EXC-4000PCI[e]* contains four LEDs.

LED	Name	Indication
LD1	RDY0	Module 0 Ready
LD2	RDY1	Module 1 Ready
LD3	RDY2	Module 2 Ready
LD4	RDY3	Module 3 Ready

Table 3-1 Led Indicators

3.3 DIP Switches

The *EXC-4000PCI[e]* contains one DIP switch (SW1).

3.3.1 Selected ID DIP Switch [SW1]

This four contact DIP switch provides the board's 'Select ID'. It represents a four bit number of which position #1 is the most significant bit. When a specific bit of the switch is:

- **Off** a value of "1" will be set for that bit
- **On** a value of "0" will be set for that bit

Multiple Board Applications

To provide a unique 'Selected ID', to identify a board by the application software in a multiple board application, the DIP switch should be set differently for each board. For example:

Board	ID#1	ID#3
Bit 1	On	On
Bit 2	On	On
Bit 3	On	Off
Bit 4	Off	Off

Table 3-2 Dip Switch settings for unique 'Selected ID'

For multiple board applications, each board's device number may be set by using the Excalibur configuration utility program provided with the drivers, and by setting the 'unique ID' to match that set on the DIP switch shown in Figure 3-5.

Select ID	Bit 1	Bit 2	Bit 3	Bit 4
0	0	0	0	0
1	0	0	0	1
2	0	0	1	0
3	0	0	1	1

Table 3-3 Selected ID Bits

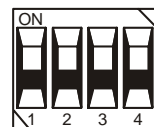


Figure 3-5 DIP Switch SW1 with All Switches Set to ON (Select ID#0)

3.4 Connectors

3.4.1 List of Connectors Per Carrier Board

3.4.1.1 *EXC-4000PCI* Connectors

The *EXC-4000PCI* contains the following connectors:

1. A 96-pin female connector [J1] passes all the modules I/O signals.

P/N: Molex® 51-26-0000

A mating connector with 4 terminal sticks and a plastic hood are provided:

P/N: Molex® 51-26-0012	Cable plug
P/N: Molex® 51-25-1012	24-pin Terminal stick
P/N: Adamtec DD50-HD-PN-SS	Hood

2. A PCI Bus Edge Connector. See section **3.4.3.1 PCI Bus Edge Connector Pinouts** on page 3-25.
3. An 8-pin male connector (J2) provides all the external signals.

P/N: Molex® 87333-0831

A mating crimp housing and crimp terminals are provided:

P/N: Molex® 51110-0860	Crimp housing
P/N: Molex® 50394-8100	Crimp terminals

The connector pinouts and signals are described in section **3.4.4 External Signals Connector [J2]** on page 3-28.

3.4.1.2 *EXC-4000cPCI* Connectors

The *EXC-4000cPCI* contains the following connectors:

1. A 96-pin female connector [J1] passes all the modules I/O signals.

P/N: Molex® 51-26-0000

A mating connector with 4 terminal sticks and a plastic hood are provided:

P/N: Molex® 51-26-0012	Cable plug
P/N: Molex® 51-25-1012	24-pin Terminal stick
P/N: Adamtec DD50-HD-PN-SS	Hood

2. A Compact PCI Bus mating connector [P1]. See section **3.4.3.3 cPCI Bus Connector [P1]** on page 3-27 and page 3-8.
3. An 8-pin male connector (J2) provides all the external signals.

P/N: Molex® 87333-0831

A mating crimp housing and crimp terminals are provided:

P/N: Molex® 51110-0860	Crimp housing
P/N: Molex® 50394-8100	Crimp terminals

The connector pinouts and signals are described in section **3.4.4 External Signals Connector [J2]** on page 3-28.

3.4.1.3 *EXC-4000cPCI-002* and *EXC-4000cPCI-006* Connectors

The *EXC-4000cPCI-002* and the *EXC-4000cPCI-006* contain the following connectors:

1. A 96-pin female connector [J1] passes all the modules I/O signals.
 P/N: Molex® 51-26-0000
 A mating connector with 4 terminal sticks and a plastic hood are provided:
 P/N: Molex® 51-26-0012 Cable plug
 P/N: Molex® 51-25-1012 24-pin Terminal stick
 P/N: Adamtec DD50-HD-PN-SS Hood

2. A Compact PCI Bus mating connector [P1]. See section **3.4.3.3 cPCI Bus Connector [P1]** on page 3-27.

3. A rear I/O Connector for Compact PCI Systems [P2]. See section **3.4.2.3 Rear I/O Connector for 32-Bit cPCI Systems [P2]** on page 3-23.

4. An 8-pin male connector (J2) provides all the external signals.
 P/N: Molex® 87333-0831
 A mating crimp housing and crimp terminals are provided:
 P/N: Molex® 51110-0860 Crimp housing
 P/N: Molex® 50394-8100 Crimp terminals
 The connector pinouts and signals are described in section **3.4.4 External Signals Connector [J2]** on page 3-28.

3.4.1.4 *EXC-4000cPCI6U* Connectors

The *EXC-4000cPCI6U* contains the following connectors:

1. A 96-pin female connector [J1] passes all the modules I/O signals.
 P/N: Molex® 51-26-0000
 A mating connector with 4 terminal sticks and a plastic hood are provided:
 P/N: Molex® 51-26-0012 Cable plug
 P/N: Molex® 51-25-1012 24-pin Terminal stick
 P/N: Adamtec DD50-HD-PN-SS Hood

2. A Compact PCI Bus mating connector [P1]. See section **3.4.3.3 cPCI Bus Connector [P1]** on page 3-27.

3. A rear I/O Connector for Compact PCI Systems [P4]. See section **3.4.2.4 Rear I/O Connector for cPCI6U Systems [P4]** on page 3-24.

4. An 8-pin male connector (J2) provides all the external signals.
 P/N: Molex® 87333-0831
 A mating crimp housing and crimp terminals are provided:
 P/N: Molex® 51110-0860 Crimp housing
 P/N: Molex® 50394-8100 Crimp terminals
 The connector pinouts and signals are described in section **3.4.4 External Signals Connector [J2]** on page 3-28.

3.4.1.5 EXC-4000PCIe Connectors

The *EXC-4000PCIe* contains the following connectors:

1. A 96-pin female connector [J1] passes all the modules I/O signals.

P/N: Molex® 51-26-0000

A mating connector with 4 terminal sticks and a plastic hood are provided:

P/N: Molex® 51-26-0012

Cable plug

P/N: Molex® 51-25-1012

24-pin Terminal stick

P/N: Adamtec DD50-HD-PN-SS

Hood

2. A PCI Express Bus Edge Connector. See section **3.4.3.2 PCI Express Bus Edge Connector Pinouts** on page 3-26.

3. An 8-pin male connector (J2) provides all the external signals.

P/N: Molex® 87333-0831

A mating crimp housing and crimp terminals are provided:

P/N: Molex® 51110-0860

Crimp housing

P/N: Molex® 50394-8100

Crimp terminals

The connector pinouts and signals are described in section **3.4.4 External Signals Connector [J2]** on page 3-28.

4. A standard 4-pin male power connector [J3] provides the required additional power for the board.

P/N: Molex® 0015244455

See section **3.4.5 Power Connector for EXC-4000PCIe Express Cards** on page 3-30.

A standard 4-pin female 5.08 mm (0.200") power connector found in most computers should be used as the mating connector. This is one of the standard power connectors attached to the computer's power supply via power cables.

P/N: Molex® 0015244048

3.4.2 Communications I/O Connectors

3.4.2.1 Front I/O Connector [J1]

The I/O signals of all modules on the carrier board are connected to the carrier board's 96-pin female connector [J1] (P/N: Molex® 51-26-0000, see Figure 3-6). This 96-pin connector is divided into four rows of 24 pins each.

The J1 connector mates with a 96-pin male connector comprised of four terminal sticks (with 24 pins each). Each row of the J1 connector mates with one terminal stick and carries the signals of one of the board's modules (except for the H009 module, which occupies two rows of the J1 connector).

The pinouts of each terminal stick depend on the module which the terminal stick is connected to. See **3.4.2.2 Front I/O Connector and Adapter Cable Pinouts [J1]** on page 3-10.

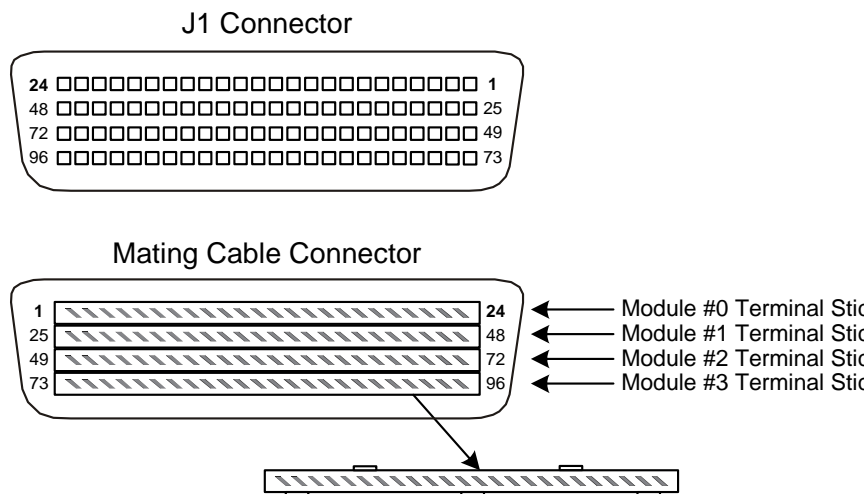


Figure 3-6 96-Pin Female I/O Connector [J1] and Mating Cable Connector – Front View

For details on the mating connector, see section **3.4.1 List of Connectors Per Carrier Board** on page 3-6.

3.4.2.2 Front I/O Connector and Adapter Cable Pinouts [J1]

The pinouts of each row (or terminal stick) of the J1 connector depend on the module which the terminal stick is connected to. The following tables list the pinouts for each module.

M4K1553Px Module Terminal Stick and Adapter Cable Pinouts

24-Pin Terminal Stick Pin #	Adapter Cable Connector (Twinax)	Signal Name	Signal Description
1	BODY ASSEMBLY	SHIELD	Provided for 1553 cables shield connection. This signal is connected to the case of the computer.
2	INNER SHEATH	BUSALO	1553 Bus A low connection.
3	CENTER PIN	BUSAHI	1553 Bus A high connection.
4 – 9		Reserved	Do not use this pin.
10	INNER SHEATH	BUSBLO	1553 Bus B low connection.
11	CENTER PIN	BUSBHI	1553 Bus B high connection.
12	BODY ASSEMBLY	SHIELD	Provided for 1553 cables shield connection. This signal is connected to the case of the computer.
013		RTA0	Single function module (PxS) RT address bit position 0 input ¹ .
14		RTA1	Single function module (PxS) RT address bit position 1 input ¹ .
15		RTA2	Single function module (PxS) RT address bit position 2 input ¹ .
16		RTA3	Single function module (PxS) RT address bit position 3 input ¹ .
17		RTA4	Single function module (PxS) RT address bit position 4 input ¹ .
18		RTPTY	Single function module (PxS) RT address parity bit input ¹ .
19		RTLOCKn	Single function module (PxS) RT address lock input ¹ . 0 = RT number locked (RT address is set to the value represented by pins 13 – 18) 1 = RT number unlocked (RT address can be changed by writing to the RT Number Register)
20		GND	Provided for single function module (PxS) RT address pins that need to be set to '0.'
21 – 22		Reserved	Do not use this pin.
23		EXSTARTn	External Start LVTTTL input. Provides an option to start the module externally by applying a negative pulse with respect to the GND pin, with a minimum width of 100 nsec. Before applying the pulse, the module should be fully set up in the required mode, except the Start register bit 00, which should be left at 0. To stop the selected operation, follow the normal procedure described under the Start register.
24		GND	Provides ground reference for the digital signal connections.

Table 3-4 M4K1553Px Module Terminal Stick and Adapter Cable Pinouts

- Single function module (PxS) only;
Pin shorted to ground = logic 0
Pin open = logic 1
See the RT Number Register in the *M4K1553Px Module User's Manual*.

M4K1553Px Module Adapter Cable

A standard adapter cable can be purchased from Excalibur that converts the Molex® terminal stick to two female twinax connectors (Trompeter CJ70 or equivalent) for Bus A and Bus B. The cable is 0.5 meter in length.

The twinax connectors mate, for example, with Trompeter PL75 male twinax connectors. These connectors are not supplied by Excalibur.

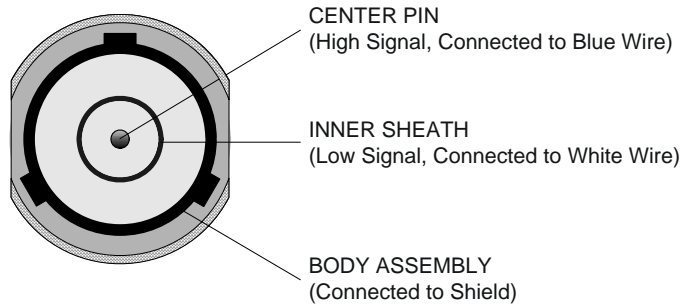


Figure 3-7 M4K1553Px Module Twinax Connector – Front View

M4K429RTx Module Terminal Stick and Adapter Cable Pinouts

24-Pin Terminal Stick Pin #	Adapter Cable Connector Pin # (HDB 26-pin Female)	Signal Name	Signal Description
1	1	SHIELD	Provided for the cables shield connection. This signal is connected to the computer's case through the carrier board's bracket or panel.
2	2	CH0L	ARINC 429 Channel 0 low connection
3	3	CH0H	ARINC 429 Channel 0 high connection
4	4	CH1L	ARINC 429 Channel 1 low connection
5	5	CH1H	ARINC 429 Channel 1 high connection
6	6	CH2L	ARINC 429 Channel 2 low connection
7	7	CH2H	ARINC 429 Channel 2 high connection
8	8	CH3L	ARINC 429 Channel 3 low connection
9	9	CH3H	ARINC 429 Channel 3 high connection
10	10	CH4L	ARINC 429 Channel 4 low connection
11	11	CH4H	ARINC 429 Channel 4 high connection
12	12	SHIELD	Provided for the cables shield connection. This signal is connected to the computer's case through the carrier board's bracket or panel.
13	13	CH5L	ARINC 429 Channel 5 low connection
14	14	CH5H	ARINC 429 Channel 5 high connection
15	15	CH6L	ARINC 429 Channel 6 low connection
16	16	CH6H	ARINC 429 Channel 6 high connection
17	17	CH7L	ARINC 429 Channel 7 low connection
18	18	CH7H	ARINC 429 Channel 7 high connection
19	19	CH8L	ARINC 429 Channel 8 low connection
20	20	CH8H	ARINC 429 Channel 8 high connection
21	21	CH9L	ARINC 429 Channel 9 low connection
22	22	CH9H	ARINC 429 Channel 9 high connection
23	23	OUTRIGN	This low active output provides trigger pulses of approximately 400 nsec. width and is activated under software control upon the same conditions as interrupts. See Interrupt/Trigger Mask Registers. This output is an open-collector with 330-ohm pull-up resistor.
24	24	GND	Provides ground reference for the OUTRIGN output.
	25 – 26	N/C	Not connected

Table 3-5 M4K429RTx Module Terminal Stick and Adapter Cable Pinouts

M4K429RTx Module Adapter Cable

A standard adapter cable can be purchased from Excalibur that converts the Molex® terminal stick to a standard 26-pin high density D-type female connector with jack screws (see figure below). The cable is 0.5 meter in length and a mating connector (with hood) is included in the cable package.

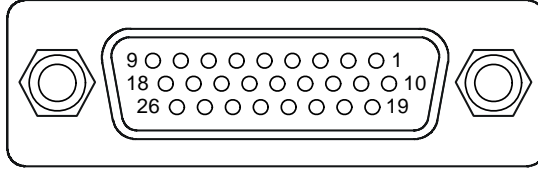


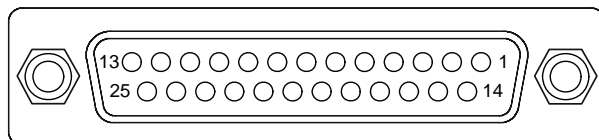
Figure 3-8 M4K429RTx Module Adapter Cable Connector – HDB 26-Pin Female – Front View

M4KDiscrete Module Terminal Stick and Adapter Cable Pinouts

24-Pin Terminal Stick Pin #	Adapter Cable Connector Pin # (DB 25-pin Female)	Signal Name	Signal Description
1	1	IO0	Discrete 0
2	14	IO1	Discrete 1
3	2	IO2	Discrete 2
4	15	IO3	Discrete 3
5	3	IO4	Discrete 4
6	16	IO5	Discrete 5
7	4	IO6	Discrete 6
8	17	GND	Provides ground reference for input and output channels
9	5	IO7	Discrete 7
10	18	IO8	Discrete 8
11	6	EXT_TRIG	TTL Active low External trigger (pulse width approx. 150 nS)
12	19	SHIELD	Provides the input and output channels with shield connections. This signal is connected to the case of the computer.
13	7	IO9	Discrete 9
14	20	IO10	Discrete 10
15	8	IO11	Discrete 11
16	21	IO12	Discrete 12
17	9	IO13	Discrete 13
18	22	IO14	Discrete 14
19	10	IO15	Discrete 15
20	23	IO16	Discrete 16
21	11	GND	Provides ground reference for input and output channels
22	24	IO17	Discrete 17
23	12	IO18	Discrete 18
24	25	IO19	Discrete 19
	13	N/C	Not connected

Table 3-6 M4KDiscrete Module Terminal Stick and Adapter Cable Pinouts**M4KDiscrete Module Adapter Cable**

A standard adapter cable can be purchased from Excalibur that converts the Molex® terminal stick to a standard 25-pin D-type female connector with jack screws (see figure below). The cable is 0.5 meter in length and a mating connector (with hood) is included in the cable package.

**Figure 3-9 M4KDiscrete Module Adapter Cable Connector – DB 25-Pin Female – Front View**

M4KSerial Module Terminal Stick and Adapter Cable Pinouts

24-Pin Terminal Stick Pin #	Adapter Cable Con. Pin # (DB 25-pin Male)	Signal Name	Signal Description		
			RS-232	RS-485	RS-422
1	1	Reserved	Do not use this pin.		
2	14	485/422T_0	N/C	Channel 0 high connection	Channel 0 Transmit high connection
3	2	232T/485n/422Tn_0	Channel 0 Transmit connection	Channel 0 low connection	Channel 0 Transmit low connection
4	15	232R/422R_0	Channel 0 Receive connection	N/C	Channel 0 Receive high connection
5	3	422Rn_0	N/C	N/C	Channel 0 Receive low connection
6	9	GND	Provides ground reference	N/C	N/C
7	4	Reserved	Do not use this pin.		
8	17	485/422T_1	N/C	Channel 1 high connection	Channel 1 Transmit high connection
9	5	232T/485n/422Tn_1	Channel 1 Transmit connection	Channel 1 low connection	Channel 1 Transmit low connection
10	18	232R/422R_1	Channel 1 Receive connection	N/C	Channel 1 Receive high connection
11	6	422Rn_1	N/C	N/C	Channel 1 Receive low connection
12	19	SHIELD	Provided for the cables shield connection. This signal is connected to the computer's case through the carrier board's bracket or panel.		
13	7	485/422T_2	N/C	Channel 2 high connection	Channel 2 Transmit high connection
14	20	232T/485n/422Tn_2	Channel 2 Transmit connection	Channel 2 low connection	Channel 2 Transmit low connection
15	8	232R/422R_2	Channel 2 Receive connection	N/C	Channel 2 Receive high connection
16	21	422Rn_2	N/C	N/C	Channel 2 Receive low connection
17	16	GND	Provides ground reference	N/C	N/C
18	22	Reserved	Do not use this pin.		
19	10	485/422T_3	N/C	Channel 3 high connection	Channel 3 Transmit high connection
20	23	232T/485n/422Tn_3	Channel 3 Transmit connection	Channel 3 low connection	Channel 3 Transmit low connection
21	11	232R/422R_3	Channel 3 Receive connection	N/C	Channel 3 Receive high connection
22	24	422Rn_3	N/C	N/C	Channel 3 Receive low connection
23	12	Reserved	Do not use this pin.		
24	25	SHIELD	Provided for the cables shield connection. This signal is connected to the computer's case through the carrier board's bracket or panel.		
	13	N/C	Not connected	Not connected	Not connected

Table 3-7 M4KSerial Module Terminal Stick and Adapter Cable Pinouts

M4KSerial Module Adapter Cable

A standard adapter cable can be purchased from Excalibur that converts the Molex® terminal stick to a standard 25-pin D-type male connector with jack screws (see figure below). The cable is 0.5 meter in length and a mating connector (with hood) is included in the cable package.

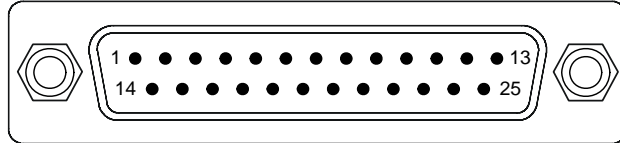


Figure 3-10 M4KSerial Module Adapter Cable Connector – DB 25-Pin Male – Front View

M4KCAN Module Terminal Stick and Adapter Cable Pinouts

24-Pin Terminal Stick Pin #	Adapter Cable Connector Pin # (HDB 26-pin Male)	Signal Name	Signal Description
1	1	SHIELD	Provided for CAN cables shield connection. This signal is connected to the case of the computer
2	2	CAN0H	Channel 0 high connection
3	3	CAN0L	Channel 0 low connection
4	4	CAN1H	Channel 1 high connection
5	5	CAN1L	Channel 1 low connection
6	6	SHIELD	Provided for CAN cables shield connection. This signal is connected to the case of the computer
7	7	SHIELD	Provided for CAN cables shield connection. This signal is connected to the case of the computer
8	8	CAN2H	Channel 2 high connection
9	9	CAN2L	Channel 2 low connection
10	10	CAN3H	Channel 3 high connection
11	11	CAN3L	Channel 3 low connection
12	12	SHIELD	Provided for CAN cables shield connection. This signal is connected to the case of the computer
13	13	SHIELD	Provided for CAN cables shield connection. This signal is connected to the case of the computer
	14	N/C	Not connected
14	15	CAN4H	Channel 4 high connection
15	16	CAN4L	Channel 4 low connection
16	17	CAN5H	Channel 5 high connection
17	18	CAN5L	Channel 5 low connection
18	19	SHIELD	Provided for CAN cables shield connection. This signal is connected to the case of the computer
19	20	Reserved	Do not use this pin.
20	21	Reserved	Do not use this pin.
21	22	GND	Provides ground reference
22	23	N/C	Not connected
23	24	N/C	Not connected
24	25	N/C	Not connected

Table 3-8 M4KCAN Module Terminal Stick and Adapter Cable Pinouts

M4KCAN Module Adapter Cable

A standard adapter cable can be purchased from Excalibur that converts the Molex® terminal stick to a standard 26-pin high density D-type male connector with jack screws (see figure below). The cable is 0.5 meter in length and a mating connector (with hood) is included in the cable package.

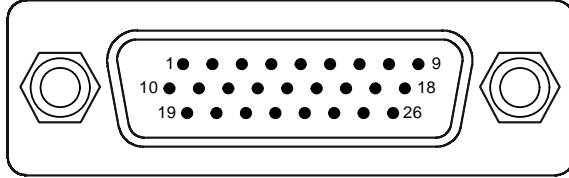


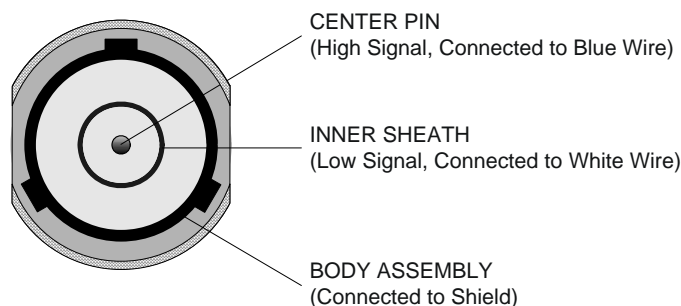
Figure 3-11 M4KCAN Module Adapter Cable Connector – HDB 26-Pin Male – Front View

M4K708 Module Terminal Stick and Adapter Cable Pinouts

24-Pin Terminal Stick Pin #	Adapter Cable Connector (Twinax)	Signal Name	Signal Description
1	BODY ASSEMBLY	SHIELD	Provided for the cables shield connection. This signal is connected to the computer's case through the carrier board's bracket or panel.
2	INNER SHEATH	BUS0L	Channel 0 low connection
3	CENTER PIN	BUS0H	Channel 0 high connection
4 – 9		N/C	Not connected
10	INNER SHEATH	BUS1L	Channel 1 low connection
11	CENTER PIN	BUS1H	Channel 1 high connection
12	BODY ASSEMBLY	SHIELD	Provided for the cables shield connection. This signal is connected to the computer's case through the carrier board's bracket or panel.
13 – 18		N/C	Not connected
19 – 22		Reserved	Do not use this pin.
23		OUTRIGn	Output trigger low active output. Provides trigger pulses of approximately 500 nsec. width and is activated upon the same conditions as interrupts. See Channel Output Trigger Mask Register in the <i>M4K708 Module User's Manual</i> . This output is an open-collector type pulled up with a 330-Ohm resistor to 5V.
24		GND	Provides ground reference for the OUTRIGn output.

Table 3-9 M4K708 Module Terminal Stick and Adapter Cable Pinouts**M4K708 Module Adapter Cable**

A standard adapter cable can be purchased from Excalibur that converts the Molex® terminal stick to two female twinax connectors (Trompeter CJ70 or equivalent) for Channel 0 and Channel 1. The cable is 0.5 meter in length. The twinax connectors mate, for example, with Trompeter PL75 male twinax connectors. These connectors are not supplied by Excalibur.

**Figure 3-12 M4K708 Module Twinax Connector – Front View**

M4KMMSI Module Terminal Stick and Adapter Cable Pinouts

24-Pin Terminal Stick Pin #	Adapter Cable Connector Pin # (HDB 26-pin Female)	Signal Name	Signal Description
1	1	SHIELD	Provided for the cables shield connection. This signal is connected to the computer's case through the carrier board's bracket or panel.
2	2	CH0L	Port 0 low connection
3	3	CH0H	Port 0 high connection
4	4	CH1L	Port 1 low connection
5	5	CH1H	Port 1 high connection
6	6	CH2L	Port 2 low connection
7	7	CH2H	Port 2 high connection
8	8	CH3L	Port 3 low connection
9	9	CH3H	Port 3 high connection
10	10	CH4L	Port 4 low connection
11	11	CH4H	Port 4 high connection
12	12	SHIELD	Provided for the cables shield connection. This signal is connected to the computer's case through the carrier board's bracket or panel.
13	13	CH5L	Port 5 low connection
14	14	CH5H	Port 5 high connection
15	15	CH6L	Port 6 low connection
16	16	CH6H	Port 6 high connection
17	17	CH7L	Port 7 low connection
18	18	CH7H	Port 7 high connection
19	19	CH8L	Composite BM Output low connection
20	20	CH8H	Composite BM Output high connection
21	21	N/C	Not connected
22	22	N/C	Not connected
	23 – 26	N/C	Not connected
23		EXSTRn	External Start TTL input. Provides an option to start the module externally by applying a negative pulse of 100 nsec/min. with respect to the GND pin. Before applying the pulse, the module should be fully set up in the required mode, except the Start register bit 00, which should be left at 0. To stop the selected operation, follow the normal procedure described under the Start register.
24		GND	Provides ground reference for the EXSTRn signal

Table 3-10 M4KMMSI Module Terminal Stick and Adapter Cable Pinouts

M4KMMSI Module Adapter Cable

A standard adapter cable can be purchased from Excalibur that converts the Molex® terminal stick to a standard 26-pin high density D-type female connector with jack screws (see figure below). The cable is 0.5 meter in length and a mating connector (with hood) is included in the cable package.

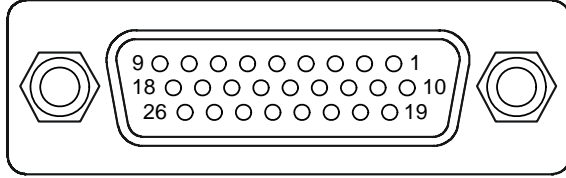


Figure 3-13 M4KMMSI Module Adapter Cable Connector – HDB 26-Pin Female – Front View

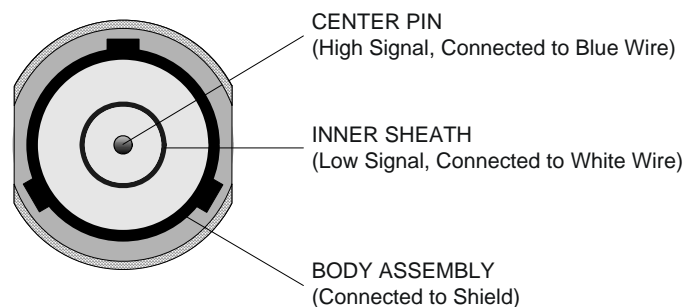
M4KH009 Module Terminal Stick and Adapter Cable Pinouts

24-Pin Terminal Stick Pin #	Adapter Cable Connector (Twinax)	Signal Name	Signal Description
1	BODY ASSEMBLY	SHIELD	Provided for H009 cables shield connection. This signal is connected to the case of the computer
2	INNER SHEATH	DBUSAL	Bus A Data low connection
3	CENTER PIN	DBUSAHI	Bus A Data high connection
4	INNER SHEATH	DBUSBL	Bus B Data low connectionv
5	CENTER PIN	DBUSBHI	Bus B Data high connection
6	INNER SHEATH	CBUSAL	Bus A Clock low connection
7	CENTER PIN	CBUSAHI	Bus A Clock high connection
8	INNER SHEATH	CBUSBL	Bus B Clock low connection
9	CENTER PIN	CBUSBHI	Bus B Clock high connection
10 – 11		GND	Provides ground reference for digital signal connections
12	BODY ASSEMBLY	SHIELD	Provided for H009 cables shield connection. This signal is connected to the case of the computer
13 – 21		N/C	Not connected
22		Reserved	Do not use this pin.
23 – 24		GND	Provides ground reference for digital signal connections

Table 3-11 M4KH009 Module Terminal Stick and Adapter Cable Pinouts**M4KH009 Module Adapter Cable**

A standard adapter cable can be purchased from Excalibur that converts the Molex® terminal stick to two female twinax connectors (Trompeter CJ70 or equivalent) for Bus A Data and Clock and Bus B Data and Clock. The cable is 0.5 meter in length.

The twinax connectors mate, for example, with Trompeter PL75 male twinax connectors. These connectors are not supplied by Excalibur.

**Figure 3-14 M4KH009 Module Twinax Connector – Front View**

3.4.2.3 Rear I/O Connector for 32-Bit cPCI Systems [P2]

For the *EXC-4000cPCI-002* and *EXC-4000cPCI-006* boards, the I/O signals from each of the four modules can be found on the optional rear connector [P2]. The pinout for these signals is detailed in Figure 3-15 and Table 3-12 on page 3-23.

Warning: Boards with this connector should only be used with 32-bit systems. If the board is used with a 64-bit system, it will cause damage to the system.

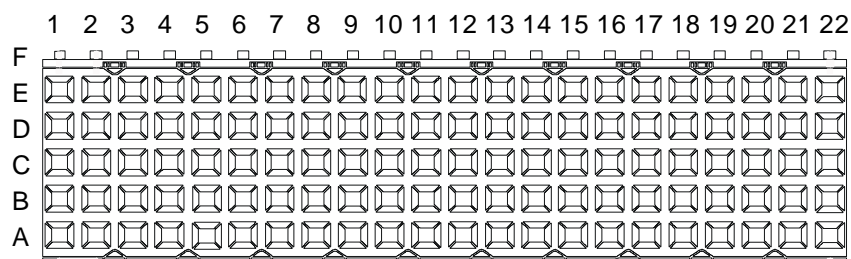


Figure 3-15 Rear I/O Connector for 32-Bit cPCI Systems – Front View

		A	B	C	D	E
Module 3	22	TS19	TS20	TS24	TS21	TS22
	21	TS15	TS16	TS23	TS17	TS18
	20	TS8	TS9	TS12	TS13	TS14
	19	TS4	TS5		TS6	TS7
	18	TS2	TS3	TS1	TS10	TS11
Module 2	17	TS19	TS20	TS24	TS21	TS22
	16	TS15	TS16	TS23	TS17	TS18
	15	TS8	TS9	TS12	TS13	TS14
	14	TS4	TS5	N/C	TS6	TS7
	13	TS2	TS3	TS1	TS10	TS11
	12					
Module 1	11	TS19	TS20	TS24	TS21	TS22
	10	TS15	TS16	TS23	TS17	TS18
	9	TS8	TS9	TS12	TS13	TS14
	8	TS4	TS5	N/C	TS6	TS7
	7	TS2	TS3	TS1	TS10	TS11
	6					
Module 0	5	TS19	TS20	TS24	TS21	TS22
	4	TS15	TS16	TS23	TS17	TS18
	3	TS8	TS9	TS12	TS13	TS14
	2	TS4	TS5	N/C	TS6	TS7
	1	TS2	TS3	TS1	TS10	TS11

Table 3-12 Rear I/O Connector for 32-Bit cPCI Systems Pinouts [P2]

Note: TS1-TS24: The 24 I/O signals from each module. See the specific modules *User's Manual* for descriptions of these signals.

3.4.2.4 Rear I/O Connector for cPCI6U Systems [P4]

On the *EXC-4000cPCI6U* board, the I/O signals from each of the four modules can be found on the rear P4 connector. The *EXC-4000cPCI6U* uses the P4 connector instead of the optional P2 connector used on the 3U board. The pinouts for this connector are detailed in Figure 3-16 and Table 3-13 on page 3-24.

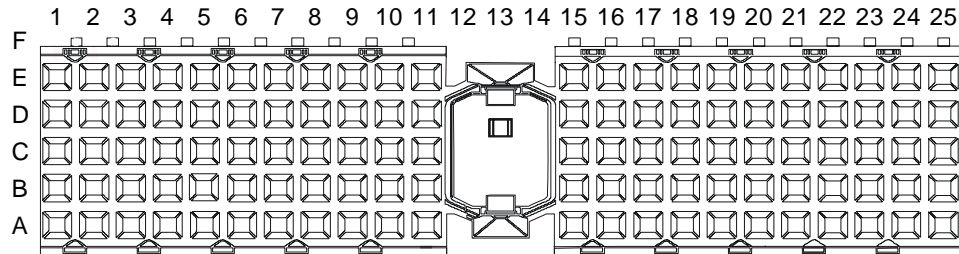


Figure 3-16 Rear I/O Connector for cPCI6U Systems – Front View

		A	B	C	D	E
Module 3	25	TS19	TS20	TS24	TS21	TS22
	24	TS15	TS16	TS23	TS17	TS18
	23	TS8	TS9	TS12	TS13	TS14
	22	TS4	TS5	N/C	TS6	TS7
	21	TS2	TS3	TS1	TS10	TS11
	20	N/C	N/C	N/C	N/C	N/C
Module 2	19	TS19	TS20	TS24	TS21	TS22
	18	TS15	TS16	TS23	TS17	TS18
	17	TS8	TS9	TS12	TS13	TS14
	16	TS4	TS5	N/C	TS6	TS7
	15	TS2	TS3	TS1	TS10	TS11
	12 – 14	Key Area				
Module 1	11	TS19	TS20	TS24	TS21	TS22
	10	TS15	TS16	TS23	TS17	TS18
	9	TS8	TS9	TS12	TS13	TS14
	8	TS4	TS5	N/C	TS6	TS7
	7	TS2	TS3	TS1	TS10	TS11
	6	N/C	N/C	N/C	N/C	N/C
Module 0	5	TS19	TS20	TS24	TS21	TS22
	4	TS15	TS16	TS23	TS17	TS18
	3	TS8	TS9	TS12	TS13	TS14
	2	TS4	TS5	N/C	TS6	TS7
	1	TS2	TS3	TS1	TS10	TS11

Table 3-13 Rear I/O Connector for cPCI6U Systems Pinouts [P4]

3.4.3 PCI, PCI Express and cPCI Bus Connectors

3.4.3.1 PCI Bus Edge Connector Pinouts

Pin	PCI Names	Board Signal Names
B1	-12V	-12V
B2	TCK	
B3	GROUND	GND
B4	TDO	
B5	+5V	VCC
B6	+5V	VCC
B7	INTB#	
B8	INTD#	
B9	PRSENT1#	GND
B10	RESERVED	
B11	PRSENT2#	
B12	CONNECTOR KEY	
B13		
B14	RESERVED	
B15	GROUND	GND
B16	CLK	CLK
B17	GROUND	GND
B18	REQ#	Arden
B19	+5V (I/O)	
B20	AD[31]	AD31
B21	AD[29]	AD29
B22	GROUND	GND
B23	AD[27]	AD27
B24	AD[25]	AD25
B25	+3.3V	+3.3V
B26	C/BE[3]#	C_BE3n
B27	AD[23]	AD23
B28	GROUND	GND
B29	AD[21]	AD21
B30	AD[19]	AD19
B31	+3.3V	+3.3V
B32	AD[17]	AD17
B33	C/BE[2]#	C_BE2n
B34	GROUND	GND
B35	IRDY#	Arden
B36	+3.3V	+3.3V
B37	DEVSEL#	Devising
B38	GROUND	GND
B39	LOCK#	Locking
B40	PERR#	Preen
B41	+3.3V	+3.3V
B42	SERR#	Siren
B43	+3.3V	+3.3V
B44	C/BE[1]#	C_BE1n
B45	AD[14]	AD14
B46	GROUND	GND
B47	AD[12]	AD12
B48	AD[10]	AD10
B49	GROUND	GND
B50	CONNECTOR KEY	
B51		
B52	AD[08]	AD8
B53	AD[07]	AD7
B54	+3.3V	+3.3V
B55	AD[05]	AD5
B56	AD[03]	AD3
B57	GROUND	GND
B58	AD[01]	AD1
B59	+5V (I/O)	
B60	ACK64#	
B61	+5V	VCC
B62	+5V	VCC

Pin	PCI Names	Board Signal Names
A1	TRST#	
A2	+12V	+12V
A3	TMS	
A4	TDI	
A5	+5V	VCC
A6	INTA#	INTAn
A7	INTC#	
A8	+5V	VCC
A9	RESERVED	
A10	+5V	
A11	RESERVED	
A12	CONNECTOR KEY	
A13		
A14	RESERVED	
A15	RST#	RSTn
A16	+5V	
A17	GNT#	GNTn
A18	GROUND	GND
A19	RESERVED	
A20	AD[30]	AD30
A21	+3.3V	+3.3V
A22	AD[28]	AD28
A23	AD[26]	AD26
A24	GROUND	GND
A25	AD[24]	AD24
A26	IDSEL	IDSEL
A27	+3.3V	+3.3V
A28	AD[22]	AD22
A29	AD[20]	AD20
A30	GROUND	GND
A31	AD[18]	AD18
A32	AD[16]	AD16
A33	+3.3V	+3.3V
A34	FRAME#	Freeman
A35	GROUND	GND
A36	TRDY#	Trodden
A37	GROUND	GND
A38	STOP#	Stop
A39	+3.3V	+3.3V
A40	SDONE	
A41	SBO#	
A42	GROUND	GND
A43	PAR	PAR
A44	AD[15]	AD15
A45	+3.3V	+3.3V
A46	AD[13]	AD13
A47	AD[11]	AD11
A48	GROUND	GND
A49	AD[09]	AD9
A50	CONNECTOR KEY	
A51		
A52	C/BE[0]#	C_BE0n
A53	+3.3V	+3.3V
A54	AD[06]	AD6
A55	AD[04]	AD4
A56	GROUND	GND
A57	AD[02]	AD2
A58	AD[00]	AD0
A59	+5V	
A60	REQ64#	
A61	+5V	VCC
A62	+5V	VCC

Table 3-14 PCI Bus Edge Connector Pinouts

3.4.3.2 PCI Express Bus Edge Connector Pinouts

Pin	Side B Connector		Side A Connector	
	Signal Name	Description	Signal Name	Description
1	+12V	+12 volt power	PRSNT#1	Hot plug presence detect
2	+12V	+12 volt power	+12V	+12 volt power
3	RSVD	Reserved	+12V	+12 volt power
4	GND	Ground	GND	Ground
5	SMCLK	SMBus clock	JTAG2	TCK
6	SMDAT	SMBus data	JTAG3	TDI
7	GND	Ground	JTAG4	TDO
8	+3.3V	+3.3 volt power	JTAG5	TMS
9	JTAG1	+TRST#	+3.3V	+3.3 volt power
10	3.3Vaux	3.3 volt auxiliary power	+3.3V	+3.3 volt power
11	WAKE#	Link reactivation	PWRGD	Power good
MECHANICAL KEY				
12	RSVD	Reserved	GND	Ground
13	GND	Ground	REFCLK+	Reference clock, differential pair
14	HSOp	Transmitter lane, differential pair	REFCLK-	
15	HSOn		GND	Ground
16	GND	Ground	HSIp	Receiver lane, differential pair
17	PRSNT#2	Hot plug detect	HSIn	
18	GND	Ground	GND	Ground

Table 3-15 PCI Express Bus Edge Connector Pinouts

3.4.3.3 cPCI Bus Connector [P1]

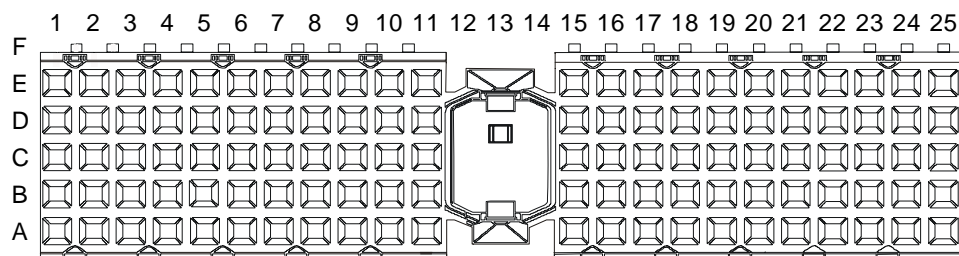


Figure 3-17 P1 Bus Connector – Front View

25	+5V	N/C	N/C	+3.3V	+5V	GND
24	AD[1]	+5V	N/C	AD[0]	N/C	GND
23	+3.3V	AD[4]	AD[3]	+5V	AD[2]	GND
22	AD[7]	GND	+3.3V	AD[6]	AD[5]	GND
21	+3.3V	AD[9]	AD[8]	N/C	C/BE[0]#	GND
20	AD[12]	GND	N/C	AD[11]	AD[10]	GND
19	+3.3V	AD[15]	AD[14]	GND	AD[13]	GND
18	SERR#	GND	+3.3V	PAR	C/BE[1]#	GND
17	+3.3V	N/C	N/C	GND	PERR#	GND
16	DEVSEL#	GND	N/C	STOP#	LOCK#	GND
15	+3.3V	FRAME#	IRDY#	GND	TRDY#	GND
12–14	KEY AREA					
11	AD[18]	AD[17]	AD[16]	GND	C/BE[2]#	GND
10	AD[21]	GND	+3.3V	AD[20]	AD[19]	GND
9	C/BE[3]#	IDSEL	AD[23]	GND	AD[22]	GND
8	AD[26]	GND	N/C	AD[25]	AD[24]	GND
7	AD[30]	AD[29]	AD[28]	GND	AD[27]	GND
6	N/C	GND	+3.3V	CLK	AD[31]	GND
5	N/C	N/C	RST#	GND	N/C	GND
4	N/C	GND	N/C	N/C	N/C	GND
3	INTA#	N/C	N/C	+5V	N/C	GND
2	N/C	+5V	N/C	N/C	N/C	GND
1	+5V	-12V	N/C	N/C	+5V	GND
PIN	A	B	C	D	E	F

Table 3-16 cPCI Bus Connector Pinouts [P1]

N/C = not connected

3.4.4 External Signals Connector [J2]

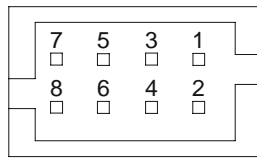


Figure 3-18 8-Pin Male Connector [J2] – Front View

Pin	Signal	Pin	Signal
1	EXTTCLKI	2	EXTTRSTn
3	EXTTCLKO	4	GND
5	RESERVED	6	IRIG B
7	SHIELD	8	EXTTRSON

Table 3-17 Connector J2 Pinouts

For information about the mating connector, see **3.4.1.3 EXC-4000cPCI-002 and EXC-4000cPCI-006 Connectors** on page 3-7.

3.4.4.1 External Signals Descriptions [J2]

Signal	Description
EXTTCLKI	External Time Tag Clock Input (Nominal value: 1MHz). This signal supplies an external global clock for the Time Tags of all the modules. Use the signal to synchronize the Time Tags that are implemented on the modules ¹ to other boards or systems. ² See Time Tag Clock Select Register on page 2-19.
EXTTCLKO	Global Time Tag Clock TTL Output (1 MHz). This signal is the Global Clock that is supplied to all the modules for their Time Tags. Use the signal to synchronize other boards or systems to the Time Tags that are implemented on the modules. ¹ The source of this clock is either the External Time Tag Clock EXTTCLKI ² or the Internal Time Tag Clock. See Time Tag Clock Select Register on page 2-19.
EXTTRSTn	External Time Tag reset TTL Input Use this low active pulsed signal (minimum 100 nsec.wide) to simultaneously reset the Time Tags of all the modules from an external source. Use the signal to synchronize these Time Tags to other boards or systems. ²
EXTTRSON	Global Time Tag Reset TTL Output This low active signal is activated each time a Global Time Tag Reset is applied. Use the signal to synchronize other boards or systems to the Time Tags that are implemented on the modules. ¹ This signal is activated by either the internal Global Time Tag signal (see Software Reset Register on page 2-17) or from the External Time Tag signal (EXTTRSON). ²
IRIG B	IRIG B Input This should be a 1KHz sine wave, amplitude modulated, IRIG B signal with a 3:1 modulation ratio at 3V typical.
GND	Provides ground reference for the digital signal connections.
SHIELD	Provided for a cables shield connection. This signal is connected to the case of the computer through the boards brackets or panel.

Table 3-18 External Signals Description [Connector J2]

1. See the manual for each module for a description of how the Time Tag clock is implemented, if used, for that module.
2. See **3.4.4.2 Synchronizing with an External Source** on page 3-29 and **3.4.4.3 Synchronizing Between EXC-4000PCI[e] Boards** on page 3-30.

3.4.4.2 Synchronizing with an External Source

To synchronize a single *EXC-4000PCI[e]* board to an external system, the external clock source and the external reset must be connected to the EXTTCCLKI and the EXTTRSTn signals respectively.

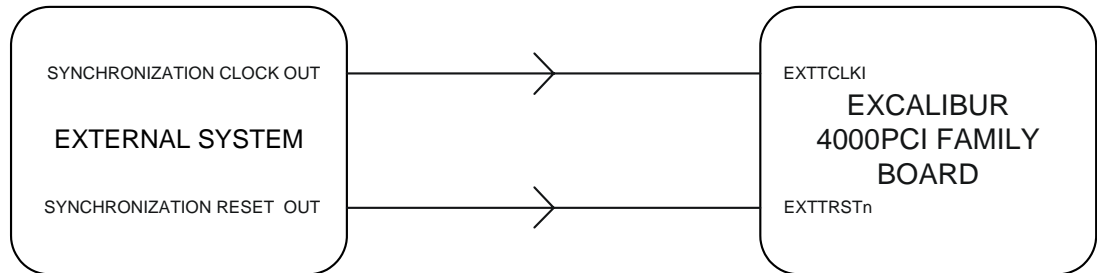


Figure 3-19 Synchronization of a Single *EXC-4000PCI[e]* board to an External System

To synchronize an external system to a single *EXC-4000PCI[e]* board, the EXTTCCLKO and the EXTTRSON signals need to be connected to the external clock source and the external reset respectively.

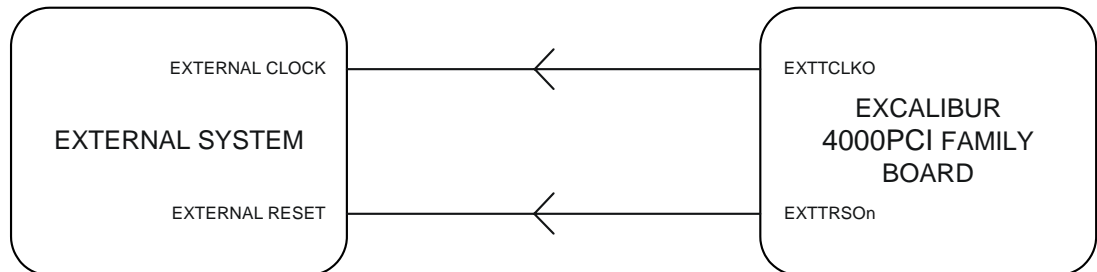


Figure 3-20 Synchronization of an External System to a Single *EXC-4000PCI[e]* Board

Warning: The synchronization clock and reset signals may be connected to multiple targets to achieve system wide synchronization.

3.4.4.3 Synchronizing Between EXC-4000PCI[e] Boards

To synchronize multiple EXC-4000PCI[e] boards the EXTCLKO and the EXTTRSO_n signals of one board need to be connected to all the EXTCLKI and the EXTTRST_n signals respectively, of the remaining boards.

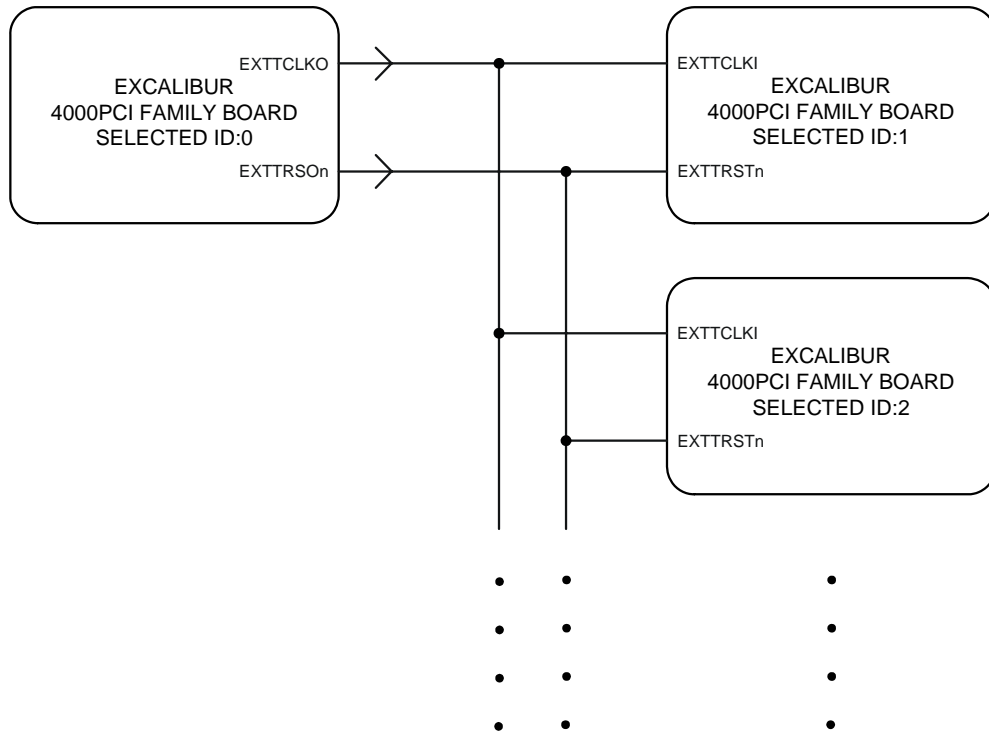


Figure 3-21 Synchronization Between EXC-4000PCI[e] Boards

3.4.5 Power Connector for EXC-4000PCIe Express Cards

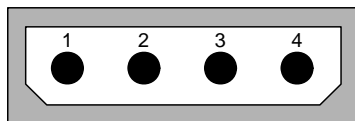


Figure 3-22 4-Pin Male EXC-4000PCIe Power Connector – Front View

Pin	Signal
1	+12V
2	GND
3	GND
4	+5V

Table 3-19 PCIe Power Connector Pin Assignments

Note: The EXC-4000PCIe board will not work without the power cable connected.

This connector mates with the standard PC power supply cable. See section 1.1.1 **Installing the Board** on page 1-4.

3.5 Power Requirements

The PCI, PCI Express and cPCI standby power requirements, without any modules installed, are:

	+3.3V	+5V	+12V	-12V
EXC-4000PCI	N/A ¹	150mA	15mA	15mA
EXC-4000cPCI and EXC-4000cPCI6U	N/A	150mA	15mA	15mA
EXC-4000PCIe	750mA ²	N/A	N/A	N/A

1. Rev C cards and earlier requires an additional 30mA at 3.3V.
2. An additional 150mA (max.) will be drawn from the PCI Express bus edge connector when four fully operational modules are installed.

When using an *EXC-4000[c]PCI* board, the power for the board and its modules is drawn from PCI bus connector.

When using an *EXC-4000PCIe* board, the power for the board is drawn from the PCI Express bus edge connector and the power for its modules is drawn from the power connector [J3]. See **3.4.5 Power Connector for EXC-4000PCIe Express Cards** on page 3-30.

The final power requirements will depend on how many and which modules are installed. To calculate the exact board power requirements, see the specific module's *User's Manual*.

4 Ordering Information

Chapter 4 explains which options to indicate when ordering an *EXC-4000PCI[e]* carrier board.

Basic Part #	Option	Description
EXC-4000PCI/xx		Multiprotocol carrier board for PCI compatible systems
EXC-4000cPCI/xx		Multiprotocol carrier board for compact PCI (cPCI) compatible systems
EXC-4000cPCI/xx-002		Multiprotocol 3U compact PCI carrier board with rear I/O connector [P2]. Note: For 32-bit systems only.
EXC-4000cPCI/xx-006		Multiprotocol 3U compact PCI carrier board with 6U panel and rear I/O connector [P2]. Note: For 32-bit systems only.
EXC-4000cPCI6U/xx		Multiprotocol carrier board for 6U cPCI compatible systems with rear I/O connector [P4]
EXC-4000PCIe/xx		Multiprotocol carrier board for PCI Express (PCIe) compatible systems
	-E	Extended temperature/ruggedized version. All the modules come with a ruggedized, extended temperature option (-40° to + 85°C).
	-001	With conformal coating

Table 4-1 Ordering Information

“**xx**” specifies the modules ordered with the carrier board. At present the following module options are available:

Module Code (for Ordering with Carrier Board)	Module Part # (for Ordering Separately)	Option	Description
Ax	M4K429RT5		ARINC 429 interface module: supports up to five channels.
Bx	M4K429RT10		ARINC 429 interface module: supports up to ten channels.
Cx	M4K708		The module supports two ARINC 708/453 channels, each one selectable as either transmit or receive.
Dx	M4KH009		Double-sized H009 interface module (occupies two module locations): supports CCC, multi-PU, CCC/ Concurrent PU and Bus monitor modes. Includes Concurrent Bus monitor mode.
Ex	M4K1553MCH		MIL-STD-1553 interface single function module: supports BC, single RT, RT/ Concurrent-BM and BM modes. (Legacy product. For new systems, use the M4K1553PxS instead. The M4K1553MCH module is not available for PCI Express-based carrier boards.)

Table 4-2 M4K Module Codes and Part Numbers

Module Code (for Ordering with Carrier Board)	Module Part # (for Ordering Separately)	Option	Description
Fx (or Gx)	M4K1553Px		MIL-STD-1553 interface module: supports BC, multiple RTs, BC/ Concurrent-RT and Bus Monitor modes. Supports an Internal Concurrent Monitor in RT and BC/RT modes.
Hx	M4K1553PxS-1760		Single-function MIL-STD-1760 interface module: supports single RT, BC, and Bus Monitor modes with an Internal Concurrent Monitor in RT and BC modes. Without error injection.
Ix	M4KDiscrete		Discrete interface module: supports 20 bi-directional discretes with TTL (0 – 5V) or Avionic (0 – 32V) levels.
Jx	M4KSerial2		Serial Interface module: supports two independent channels with RS485, RS422 or RS232 communication.
Kx	M4KSerial4		Same as above - supports four independent channels.
Lx (or Mx)	M4K1553Px-1760		MIL-STD-1553 interface module: supports BC, multiple RTs, BC/ Concurrent-RT and BM modes with MIL-STD-1760 option. Supports an Internal Concurrent Monitor in RT and BC/RT modes.
Ox	M4KCAN2		2 independent channels of CAN 2.0 B protocol with standard and extended message frames and message identifiers.
Px	M4KCAN4		Same as above with 4 independent channels.
Qx	M4KCAN6		Same as above with 6 independent channels.
Rx	M4KMMSI		Mini Munitions Store Interface (MMSI) module. Supports RT, BC/Concurrent-RT/ Concurrent Monitor and Bus Monitor modes. Up to 8 hub ports EBR-1553 (10 Mbps MIL-STD-1553 protocol using RS-485 transceivers) and 1 composite monitor output.
Tx	M4K1553PxS		Single-function MIL-STD-1553 interface module: supports single RT, BC, and Bus Monitor modes with an Internal Concurrent Monitor in RT and BC modes. Without error injection.
Vx	M4K1553PxM		Monitor-only MIL-STD-1553 interface module.
		-E	Add this suffix for an extended temperature/ruggedized version of any module. The ruggedized version has an extended temperature range of -40° to +85° C.
		-001	Add this suffix for conformal coating.

Table 4-2 M4K Module Codes and Part Numbers (Continued)

More modules are in design. Check our website for the latest modules:
www.mil-1553.com.

Note:

1. Use the **Module Part #** if ordering separately from the carrier board.
2. Use the **Module Codes** when ordering modules with the carrier board.
3. The **X** in the **Module Code** denotes the number of consecutive modules of the same type on the board.

Example: B2 = 2 consecutive M4K429RT10 modules

4. When ordering a board with a number of different protocol modules, the module codes must be in the following form:

Example: EXC-4000PCI/A1B1E1G1

The first module code in the part number is Module 0, the second is Module 1, and so on.

5. If one or more empty module locations are required in between other modules, insert an asterisk (*) followed by the number of empty locations, for example, *2.

Example 1: EXC-4000PCI/A1*2F1

This is an *EXC-4000PCI* board with:

1 M4K429RT5 module at module location 0

Empty slots at module locations 1 and 2

1 M4K1553Px module at module location 3

Example 2: EXC-4000PCIE/K2

This is an *EXC-4000PCIE* board with:

2 M4KSerial4 modules at module locations 0 and 1

6. The accompanying cable assembly may be order using the same module codes as used in specifying the modules on the board but with the prefix: **X4K-**

Example: **X4K-A1F2K1** – this is the matching cable for the EXC-4000PCI/A1F2K1 board in the example above.

7. External Loopback test connectors are available for most configurations. Contact Excalibur's technical support for information about these connectors.

The information contained in this document is believed to be accurate. However, no responsibility is assumed by Excalibur Systems, Inc. for its use and no license or rights are granted by implication or otherwise in connection therewith. Specifications are subject to change without notice.

April 2011, Rev B-5



Artisan Technology Group is your source for quality new and certified-used/pre-owned equipment

- FAST SHIPPING AND DELIVERY
- TENS OF THOUSANDS OF IN-STOCK ITEMS
- EQUIPMENT DEMOS
- HUNDREDS OF MANUFACTURERS SUPPORTED
- LEASING/MONTHLY RENTALS
- ITAR CERTIFIED SECURE ASSET SOLUTIONS

SERVICE CENTER REPAIRS

Experienced engineers and technicians on staff at our full-service, in-house repair center

*InstraView*SM REMOTE INSPECTION

Remotely inspect equipment before purchasing with our interactive website at www.instraview.com ↗

WE BUY USED EQUIPMENT

Sell your excess, underutilized, and idle used equipment. We also offer credit for buy-backs and trade-ins. www.artisanng.com/WeBuyEquipment ↗

LOOKING FOR MORE INFORMATION?

Visit us on the web at www.artisanng.com ↗ for more information on price quotations, drivers, technical specifications, manuals, and documentation

Contact us: (888) 88-SOURCE | sales@artisanng.com | www.artisanng.com