



Artisan Technology Group is your source for quality new and certified-used/pre-owned equipment

- FAST SHIPPING AND DELIVERY
- TENS OF THOUSANDS OF IN-STOCK ITEMS
- EQUIPMENT DEMOS
- HUNDREDS OF MANUFACTURERS SUPPORTED
- LEASING/MONTHLY RENTALS
- ITAR CERTIFIED SECURE ASSET SOLUTIONS

SERVICE CENTER REPAIRS

Experienced engineers and technicians on staff at our full-service, in-house repair center

*InstraView*SM REMOTE INSPECTION

Remotely inspect equipment before purchasing with our interactive website at www.instraview.com ↗

WE BUY USED EQUIPMENT

Sell your excess, underutilized, and idle used equipment. We also offer credit for buy-backs and trade-ins. www.artisanng.com/WeBuyEquipment ↗

LOOKING FOR MORE INFORMATION?

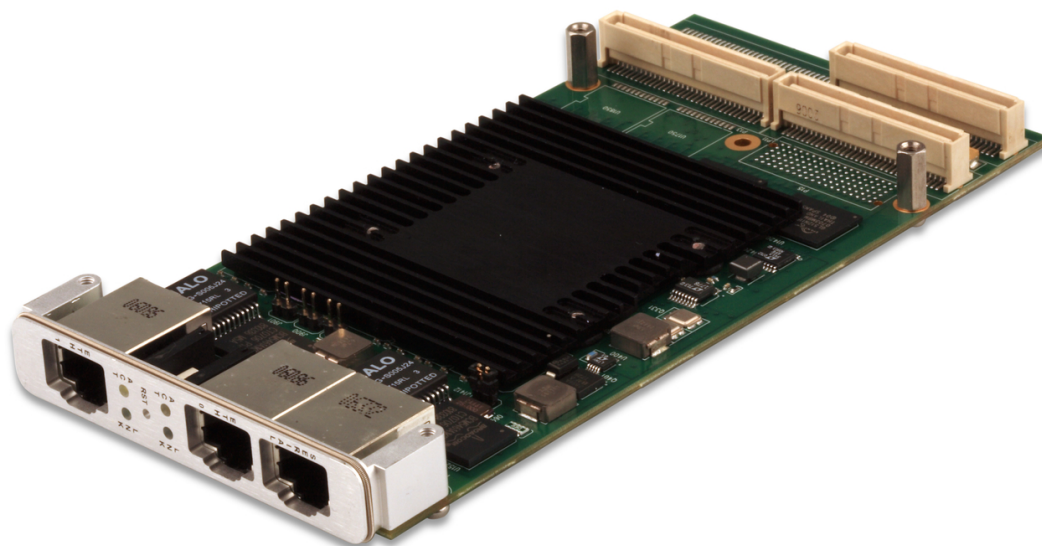
Visit us on the web at www.artisanng.com ↗ for more information on price quotations, drivers, technical specifications, manuals, and documentation

Contact us: (888) 88-SOURCE | sales@artisanng.com | www.artisanng.com

XPedite5200

Freescale MPC8548E PowerQUICC III based PrPMC/XMC Module with Dual Gigabit Ethernet

- ▶ Freescale MPC8548E PowerQUICC™ III processor at up to 1.333 GHz
- ▶ Two front panel Gigabit Ethernet interfaces
- ▶ 133-MHz, 64-bit PCI-X
- ▶ x8 PCI Express or x4 Serial RapidIO
- ▶ Up to 4 GB DDR2-400/533 SDRAM
- ▶ 512 kB L2 cache
- ▶ Double-precision FPU
- ▶ Up to 256 MB soldered NOR flash
- ▶ Up to 2 GB NAND flash
- ▶ 2 UARTs
- ▶ Wind River VxWorks BSP
- ▶ QNX Neutrino BSP
- ▶ Green Hills INTEGRITY BSP
- ▶ Linux LSP
- ▶ LynxOS BSP



XPedite5200

The XPedite5200 is a high-performance Processor PCI Mezzanine Card (PrPMC)/Switched Mezzanine Card (XMC) featuring the Freescale MPC8548E PowerQUICC III processor running at up to 1.333 GHz. The on-board PowerQUICC III provides integrated 64-bit PCI-X, DDR2-400/533 SDRAM, PCI Express/Serial RapidIO, and four Gigabit Ethernet interfaces, making the XPedite5200 an optimal solution for communications processing and general computing applications alike.

When used as an XMC (VITA 42) module, either the x8 PCI Express or x4 Serial RapidIO interfaces can be used, in parallel or in substitution of the PCI-X interface. With software supplied by Extreme Engineering Solutions, the XPedite5200 can be installed on standard VME and CompactPCI (cPCI) platforms as well as custom motherboards that support PMC sites.

The XPedite5200 provides two Gigabit Ethernet interfaces via the front panel and supports an additional two via the P14 backplane connector.

X-ES

Extreme Engineering Solutions

...Always Fast

Extreme Engineering Solutions

3225 Deming Way, Suite 120 • Middleton, WI 53562
 Phone: 608.833.1155 • Fax: 608.827.6171
 sales@xes-inc.com • <http://www.xes-inc.com>

Processor

- Freescale MPC8548E PowerQUICC III processor
- Embedded PowerPC e500 core at up to 1.333 GHz
- 3065 MIPS at 1.333 GHz
- 32 kB L1 instruction/data caches
- 512 kB L2 cache
- Double-precision floating point unit
- Integrated MMU
- DDR2-533 SDRAM interface
- x8 PCI Express or x4 Serial RapidIO
- 133-MHz, 64-bit PCI-X 1.0a interface
- Four 10/100/1000-Mbps, IEEE 802.3-compliant Ethernet controllers
- Two serial controllers
- Two I²C controllers

Memory

- Up to 4 GB DDR2-400/533 SDRAM
- Up to 256 MB NOR flash
- Up to 2 GB NAND flash
- 2 kB SEEPROM

XMC

- x8 PCI Express (VITA 42.3)
- x4 Serial RapidIO (VITA 42.2)
- IPMI support
- GPIO on user data

RTC

- M41T00 I²C Timekeeper
- 60-hour clock retention

Front Panel I/O

- Two Gigabit Ethernet ports
- One RS-232 serial port
- Link and activity LEDs

Rear I/O

- Two Gigabit Ethernet ports
- Four GPIO pins
- Two RS-232 serial ports

Software

- Wind River VxWorks BSP
- QNX Neutrino BSP
- Green Hills INTEGRITY BSP
- Linux LSP

Physical Characteristics

- PMC/XMC form factor
- Dimensions: 149 mm x 74 mm, 10-mm stacking height

Environmental Requirements

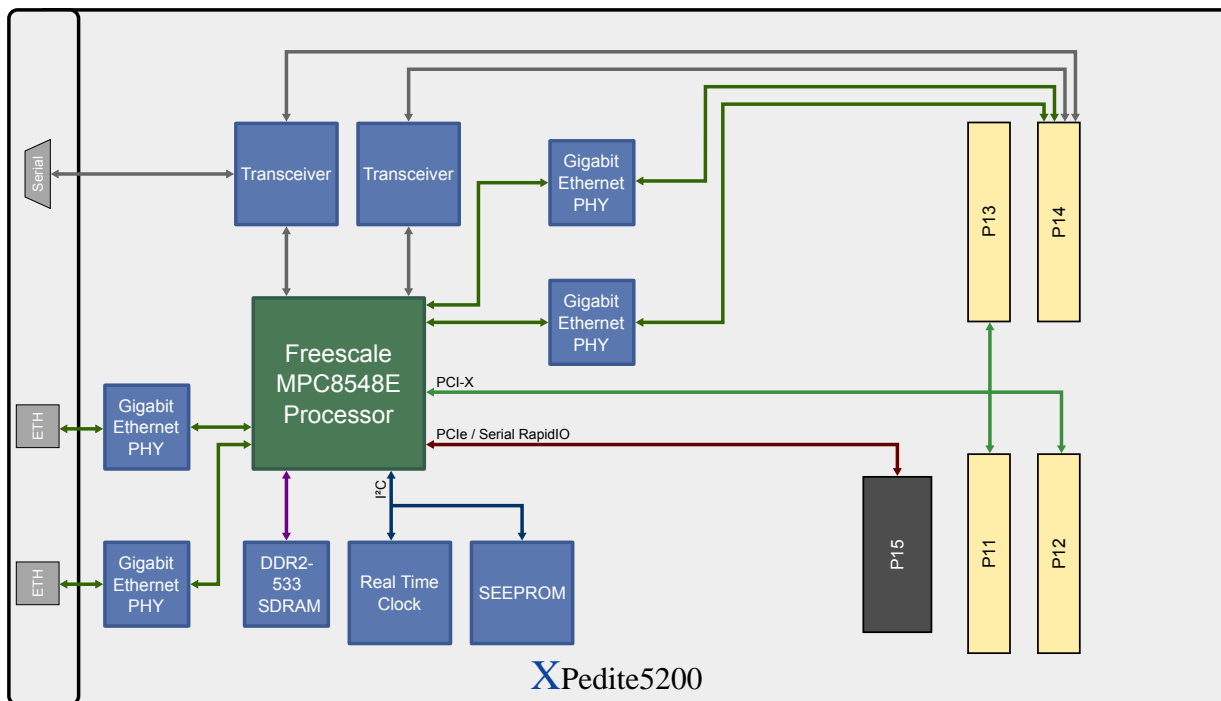
Contact factory for appropriate board configuration based on environmental requirements.

- Supported ruggedization levels (see chart below): 1
- Conformal coating available as an ordering option

Power Requirements

- Power will vary based on CPU frequency and application. Please consult factory.

Supported Ruggedization Level	Level 1
Cooling Method	Standard Air-Cooled
Operating Temperature	0 to +55 °C ambient (300 LFM)
Storage Temperature	-40 to +85 °C ambient
Vibration	0.002 g ² /Hz, 5 to 2000 Hz
Shock	20 g, 11 ms sawtooth
Humidity	0% to 95% non-condensing



XPedite5200





Artisan Technology Group is your source for quality new and certified-used/pre-owned equipment

- FAST SHIPPING AND DELIVERY
- TENS OF THOUSANDS OF IN-STOCK ITEMS
- EQUIPMENT DEMOS
- HUNDREDS OF MANUFACTURERS SUPPORTED
- LEASING/MONTHLY RENTALS
- ITAR CERTIFIED SECURE ASSET SOLUTIONS

SERVICE CENTER REPAIRS

Experienced engineers and technicians on staff at our full-service, in-house repair center

*InstraView*SM REMOTE INSPECTION

Remotely inspect equipment before purchasing with our interactive website at www.instraview.com ↗

WE BUY USED EQUIPMENT

Sell your excess, underutilized, and idle used equipment. We also offer credit for buy-backs and trade-ins. www.artisanng.com/WeBuyEquipment ↗

LOOKING FOR MORE INFORMATION?

Visit us on the web at www.artisanng.com ↗ for more information on price quotations, drivers, technical specifications, manuals, and documentation

Contact us: (888) 88-SOURCE | sales@artisanng.com | www.artisanng.com