



Artisan Technology Group is your source for quality new and certified-used/pre-owned equipment

- FAST SHIPPING AND DELIVERY
- TENS OF THOUSANDS OF IN-STOCK ITEMS
- EQUIPMENT DEMOS
- HUNDREDS OF MANUFACTURERS SUPPORTED
- LEASING/MONTHLY RENTALS
- ITAR CERTIFIED SECURE ASSET SOLUTIONS

SERVICE CENTER REPAIRS

Experienced engineers and technicians on staff at our full-service, in-house repair center

*InstraView*SM REMOTE INSPECTION

Remotely inspect equipment before purchasing with our interactive website at www.instraview.com ↗

WE BUY USED EQUIPMENT

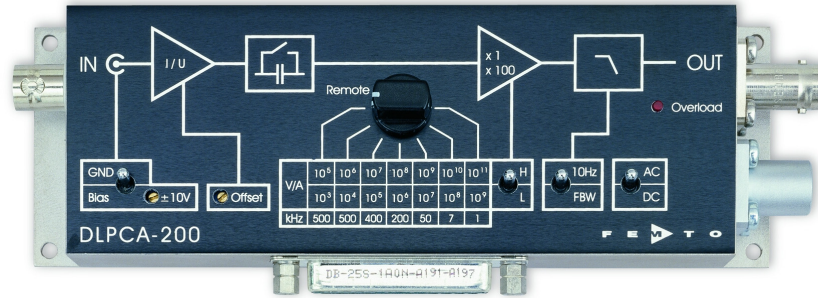
Sell your excess, underutilized, and idle used equipment. We also offer credit for buy-backs and trade-ins. www.artisanng.com/WeBuyEquipment ↗

LOOKING FOR MORE INFORMATION?

Visit us on the web at www.artisanng.com ↗ for more information on price quotations, drivers, technical specifications, manuals, and documentation

Contact us: (888) 88-SOURCE | sales@artisanng.com | www.artisanng.com

Variable Gain Low Noise Current Amplifier

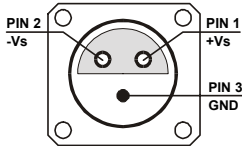


<p>Features</p>	<ul style="list-style-type: none"> • Transimpedance (Gain) Switchable from 1×10^3 to 1×10^{11} V/A • Bandwidth DC / 1 Hz ... 500 kHz • Bandwidth Switchable to DC ... 10 Hz for Low Noise DC Measurements • Bandwidth Independent of Detector Capacitance (up to 1 nF) • Adjustable Bias Voltage • Protection Against ± 3 kV Transients • Local and Remote Control
<p>Applications</p>	<ul style="list-style-type: none"> • Photodiode and Photomultiplier Amplifier • Scanning Tunneling Microscopy (STM) • Spectroscopy • Beam Monitoring for Particle Accelerators / Synchrotrons • Ionisation Detectors • Pre-amplifier for Lock-Ins, A/D-Converters, etc.
<p>Block Diagram</p>	

Variable Gain Low Noise Current Amplifier

Specifications	<i>Test Conditions</i>	<i>V_s = ± 15 V, T_a = 25°C</i>						
Gain	Transimpedance Gain Accuracy Gain Drift	1 x 10 ³ ... 1 x 10 ¹¹ V/A ± 1 % see table below						
Frequency Response	Lower Cut-Off Frequency Upper Cut-Off Frequency Gain Flatness	DC / 1 Hz up to 500 kHz (see table below), switchable to 10 Hz ± 0.1 dB						
Input	Equ. Input Noise Current Equ. Input Noise Voltage Input Offset Current Drift Input Bias Current Max. Input Current Input Offset Compensation	see table below 4 nV/√Hz (@ 1 kHz) see table below 1 pA typ. (max. 3 pA) see table below (value for linear amplification) adjustable by offset trimpot and external control voltage; max. range see table below						
Performance depending on Gain Setting	Gain Setting (Low Noise) (V/A)	10 ³	10 ⁴	10 ⁵	10 ⁶	10 ⁷	10 ⁸	10 ⁹
	Upper Cut-Off Frequency (- 3 dB)	500 kHz	500 kHz	400 kHz	200 kHz	50 kHz	7 kHz	1.1 kHz
	Rise / Fall Time (10% - 90%)	700 ns	700 ns	900 ns	1.8 μs	7 μs	50 μs	300 μs
	Input Noise Current Density (√Hz)	20 pA	2.3 pA	450 fA	130 fA	43 fA	13 fA	4.3 fA
	measured at	10 kHz	10 kHz	10 kHz	1 kHz	1 kHz	100 Hz	100 Hz
	Integr. Input Noise Current (rms)*	21 nA	2.4 nA	500 pA	130 pA	41 pA	5.8 pA	0.8 pA
	Offset Current Drift (°C)	30 nA	3 nA	0.3 nA	30 pA	3 pA	0.3 pA	0.1 pA
	Gain Drift (°C)	0.008%	0.008%	0.008%	0.01%	0.01%	0.01%	0.02%
	Max. Input Current (±)	10 mA	1 mA	0.1 mA	10 μA	1 μA	0.1 μA	10 nA
	Input Offset Compensat. (±)	100 μA	10 μA	1 μA	0.1 μA	10 nA	1 nA	0.1 nA
	DC Input Impedance (// 5 pF)	50 Ω	50 Ω	50 Ω	60 Ω	150 Ω	1 kΩ	10 kΩ
	Gain Setting (High Speed) (V/A)	10 ⁵	10 ⁶	10 ⁷	10 ⁸	10 ⁹	10 ¹⁰	10 ¹¹
	Upper Cut-Off Frequency (- 3 dB)	500 kHz	500 kHz	400 kHz	200 kHz	50 kHz	7 kHz	1.1 kHz
	Rise / Fall Time (10% - 90%)	700 ns	700 ns	900 ns	1.8 μs	7 μs	50 μs	300 μs
	Input Noise Current Density (√Hz)	13 pA	1.8 pA	440 fA	130 fA	43 fA	13 fA	4.3 fA
	measured at	10 kHz	10 kHz	10 kHz	1 kHz	1 kHz	100 Hz	100 Hz
	Integr. Input Noise Current (rms)*	12 nA	1.8 nA	450 pA	120 pA	37 pA	5.3 pA	0.8 pA
	Offset Current Drift (°C)	30 nA	3 nA	0.3 nA	30 pA	3 pA	0.3 pA	0.1 pA
	Gain Drift (°C)	0.008%	0.008%	0.008%	0.01%	0.01%	0.01%	0.02%
	Max. Input Current (±)	100 μA	10 μA	1 μA	0.1 μA	10 nA	1 nA	0.1 nA
	Input Offset Compensat. (±)	100 μA	10 μA	1 μA	0.1 μA	10 nA	1 nA	0.1 nA
	DC Input Impedance (// 5 pF)	50 Ω	50 Ω	50 Ω	60 Ω	150 Ω	1 kΩ	10 kΩ
	* The integrated input noise is measured with an open but shielded amplifier input in the full bandwidth („FBW“) setting. The input referred peak-peak noise can be calculated from the rms noise as follows: $I_{\text{peak-peak}} = I_{\text{rms}} \times 6$ The output noise is given by: $U_{\text{peak-peak}} = I_{\text{peak-peak}} \times \text{Gain}$							
Output	Output Voltage Output Impedance Max. Output Current	± 10 V (@ ≥ 1 MΩ load) 50 Ω (terminate with ≥ 1 MΩ load for best performance) ± 30 mA						
Detector Bias	Bias Voltage Range	± 10 V, max. 22 mA (bias voltage connected to shield of BNC input socket, adjustable by trimpot, switchable to GND)						

Variable Gain Low Noise Current Amplifier

Indicator LED	Function	overload
Digital Control	Control Input Voltage Range	LOW bit: - 0.8 ... + 1.2 V, HIGH bit: 2.3 ... + 12 V
	Control Input Current	0 mA @ 0 V, 1.5 mA @ + 5 V, 4.5 mA @ + 12 V
	Overload Output	non active: 0 V, max. -1 mA, active: 5.1 V, max. 7 mA
Ext. Offset Control	Control Voltage Range	± 10 V
	Offset Control Input Impedance	20 kΩ
Power Supply	Supply Voltage	± 15 V
	Supply Current	+ 120 / - 80 mA typ. (depends on operating conditions, recommended power supply capability min. ± 200 mA)
	Stabilized Power Supply Output	± 12 V, max. ± 150 mA, + 5V, max. 50 mA
Case	Weight	320 g (0.74 lb.)
	Material	AlMg4.5Mn, nickel-plated
Temperature Range	Storage Temperature	-40 ... +100 °C
	Operating Temperature	0 ... +60 °C
Absolute Maximum Ratings	Signal Input Voltage	-16 V / + 12 V
	Transient Input Voltage	± 3 kV (out of 200 pF source)
	Control Input Voltage	- 5 V / + 16 V
	Power Supply Voltage	± 22 V
Connectors	Input	BNC, isolated
	Output	BNC
	Detector Bias Output	shield of input BNC
	Power Supply	LEMO series 1S, 3-pin fixed socket Pin 1: + 15V Pin 2: - 15V Pin 3: GND
		
	Control Port	Sub-D 25-pin, female, qual. class 2 Pin 1: + 12 V (stabilized power supply output) Pin 2: - 12 V (stabilized power supply output) Pin 3: AGND (analog ground) Pin 4: + 5 V (stabilized power supply output) Pin 5: digital output: overload Pin 6: signal output (connected to BNC) Pin 7: NC Pin 8: input offset control voltage Pin 9: DGND (ground for digital control pins 10 - 14) Pin 10: digital control input: gain, LSB Pin 11: digital control input: gain Pin 12: digital control input: gain, MSB Pin 13: digital control input: AC/DC Pin 14: digital control input: high speed / low noise Pin 15 - 25: NC

Variable Gain Low Noise Current Amplifier

Remote Control Operation

General

Remote control input bits are opto-isolated and connected by logical OR function to local switch settings. For remote control set the corresponding local switches to "Remote", "AC" and "H" (High Speed) and select the wanted setting via a bit code at the corresponding digital inputs. Mixed operation, e.g. local gain setting and remote controlled AC/DC setting, is also possible.

Switch settings "FBW / 10 Hz" and "Bias / GND" are not remote controllable.

Gain Setting

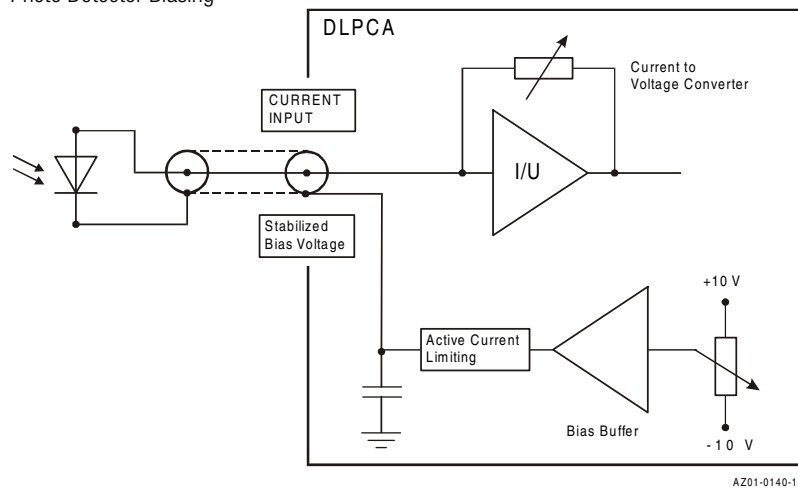
Low Noise Pin 14=HIGH Gain (V/A)	High Speed Pin 14=LOW Gain (V/A)	Pin 12 MSB	Pin 11	Pin 10 LSB
10^3	10^5	LOW	LOW	LOW
10^4	10^6	LOW	LOW	HIGH
10^5	10^7	LOW	HIGH	LOW
10^6	10^8	LOW	HIGH	HIGH
10^7	10^9	HIGH	LOW	LOW
10^8	10^{10}	HIGH	LOW	HIGH
10^9	10^{11}	HIGH	HIGH	LOW

AC/DC Setting

Coupling	Pin 13
AC	LOW
DC	HIGH

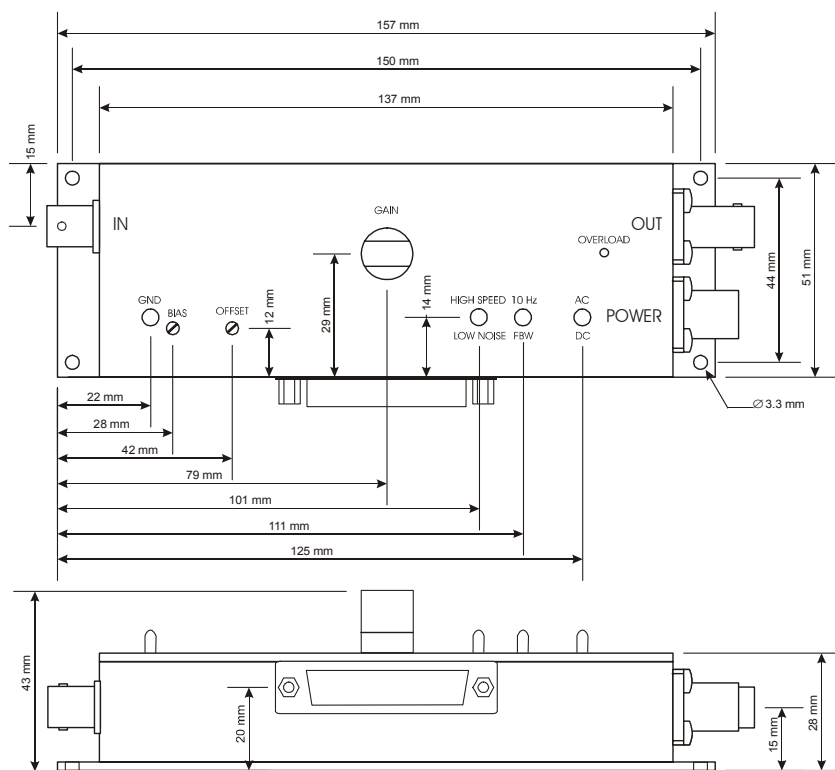
Application Diagram

Photo Detector Biasing



Variable Gain Low Noise Current Amplifier

Dimensions



D201-0141-11

FEMTO Messtechnik GmbH
 Klosterstr. 64
 D-10179 Berlin • Germany
 Tel.: +49-(0)30-280 4711-0
 Fax: +49-(0)30-280 4711-11
 e-mail: info@femto.de
 http://www.femto.de

Specifications are subject to change without notice. Information furnished herein is believed to be accurate and reliable. However, no responsibility is assumed by FEMTO Messtechnik GmbH for its use, nor for any infringement of patents or other rights granted by implication or otherwise under any patent rights of FEMTO Messtechnik GmbH. Product names mentioned may also be trademarks used here for identification purposes only.
 © by FEMTO Messtechnik GmbH
 Printed in Germany



Artisan Technology Group is your source for quality new and certified-used/pre-owned equipment

- FAST SHIPPING AND DELIVERY
- TENS OF THOUSANDS OF IN-STOCK ITEMS
- EQUIPMENT DEMOS
- HUNDREDS OF MANUFACTURERS SUPPORTED
- LEASING/MONTHLY RENTALS
- ITAR CERTIFIED SECURE ASSET SOLUTIONS

SERVICE CENTER REPAIRS

Experienced engineers and technicians on staff at our full-service, in-house repair center

*InstraView*SM REMOTE INSPECTION

Remotely inspect equipment before purchasing with our interactive website at www.instraview.com ↗

WE BUY USED EQUIPMENT

Sell your excess, underutilized, and idle used equipment. We also offer credit for buy-backs and trade-ins. www.artisanng.com/WeBuyEquipment ↗

LOOKING FOR MORE INFORMATION?

Visit us on the web at www.artisanng.com ↗ for more information on price quotations, drivers, technical specifications, manuals, and documentation

Contact us: (888) 88-SOURCE | sales@artisanng.com | www.artisanng.com