



## Artisan Technology Group is your source for quality new and certified-used/pre-owned equipment

- FAST SHIPPING AND DELIVERY
- TENS OF THOUSANDS OF IN-STOCK ITEMS
- EQUIPMENT DEMOS
- HUNDREDS OF MANUFACTURERS SUPPORTED
- LEASING/MONTHLY RENTALS
- ITAR CERTIFIED SECURE ASSET SOLUTIONS

### SERVICE CENTER REPAIRS

Experienced engineers and technicians on staff at our full-service, in-house repair center

### *InstraView*<sup>SM</sup> REMOTE INSPECTION

Remotely inspect equipment before purchasing with our interactive website at [www.instraview.com](http://www.instraview.com) ↗

### WE BUY USED EQUIPMENT

Sell your excess, underutilized, and idle used equipment. We also offer credit for buy-backs and trade-ins. [www.artisanng.com/WeBuyEquipment](http://www.artisanng.com/WeBuyEquipment) ↗

### LOOKING FOR MORE INFORMATION?

Visit us on the web at [www.artisanng.com](http://www.artisanng.com) ↗ for more information on price quotations, drivers, technical specifications, manuals, and documentation

**Contact us:** (888) 88-SOURCE | [sales@artisanng.com](mailto:sales@artisanng.com) | [www.artisanng.com](http://www.artisanng.com)

# Finisar

Fibre Optic Subsystems &  
Network Performance Test Systems

## GBIC Transceiver Modules

Fibre Channel and GigE  
High-Performance "Smart" Optical  
Gigabit Interface Converters

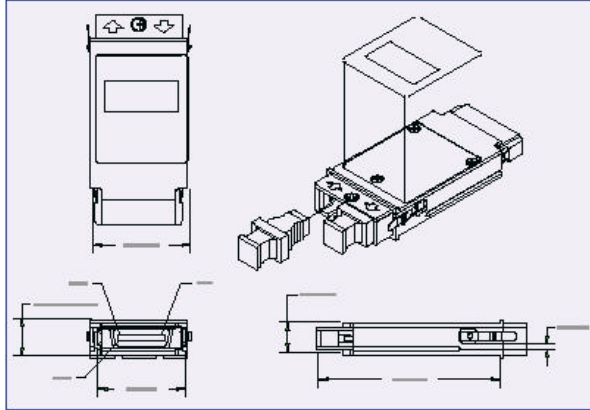
### Highlights

- Auto-Sense OFC Interoperability
- Built-in Diagnostics
- Extended Voltage & Temperature Range
- Available for 5V or 3.3V Systems
- Up to 1.25 Gbps Bi-Directional Data Links
- Plug and Play Capability
- Low Power Dissipation
- Metal Enclosure for Lower Emissions and ESD



Finisar's family of GBIC transceiver modules are state-of-the-art components designed expressly for the building of high-speed bi-directional communication links that require data rates of up to 1.25 Gb/s. The "smart" optical GBIC modules provide serial ID plus a special management and diagnostics port. Using the standard 2-wire I C protocol, a host can communicate with the GBIC transceivers to obtain status and operating parameters. This built-in intelligence makes Finisar optical transceivers the preferred choice for systems where high reliability and system-level diagnostics are critical.

Both short- and long-wavelength modules are available in versions that can automatically configure themselves to interoperate with Fibre Channel devices that do and do not run the OFC protocol. The modules are available in both 5 V and 3.3 V versions, and operate at special extended voltage (4.5 to 5.5 V or 3.15 to 5.5 V) and temperature (-10 to 85 C) ranges. All Finisar GBIC transceivers support hot plug-and-play capability for Gigabit Ethernet and Fibre Channel applications. The optical GBIC transceivers dissipate less than 0.8 watt-less than 50% of the maximum power allowed by the GBIC specification. The modules' metal enclosure not only makes them sturdier, but also improves the transceiver's FCC test margins. This emissions and ESD control is particularly important in applications with sensitive multiport hubs and switches. With Finisar's innovative latch-arm design, users can easily install and remove GBIC modules with one hand, and with no tools.



## Technical Specifications

### Transmitter Type

- FTR-8519; Shortwave laser, 850 nm multi-mode
- FTR-1319; Longwave laser, 1310 nm single-mode

### Data Rate (nominal range)

- 1062.5 to 1250 Mbaud

### Average Launch Power

- FTR-8519 (62.5  $\mu$ m MMF):  
-10 dBm min, -4 dBm max
- FTR-1319: -8 dBm min, -3 dBm max

### Transmitter Extinction Ratio

- 9dB min

### Data Format

- 8B/10B

### Average Receive Power

- FTR-8519 -17 dBm min,  
-22.5 dBm typical, 0 dBm max
- FTR-1319: -19 dBm min,  
-26.5 dBm typical, -3 dBm max

### Optical Output Power, TX\_DISABLE Asserted

- -35 dBm max

### Connector

- Duplex SC defined by FC-PH

### Power Supply (5V version)

- 4.5 to 5.5 VDC
- FTR-8519: 150 mA max
- FTR-1319: 210 mA max

### Power Supply (3.3V version)

- 3.15 to 5.5 VDC
- FTR-8519: 200 mA max
- FTR-1319: 210 mA max

### GBIC Interface Signals Supported

- RX\_LOS
- TX\_DISABLE
- TX\_FAULT
- MOD\_DEF (0, 1, 2)

### Serial Identification Protocol

- Compliant with mod. def. 4

### Management & Diagnostics

- Laser Current
- Received Power
- Transmit Power
- Tx Temperature
- T/R Calibration Values
- System Status

### Operating Temperature

- -10 to 85°C

### Regulatory

- Class 1 devices per FDA/CDRH and IEC-825-1 laser safety regulations

## Ordering Information

Part Number	Description
FTR-8519P-5A	Shortwave Multi-mode GBIC Tranceiver, 5V supply, mod. def. 4
FTR-8519-3A	Shortwave Multi-mode GBIC Tranceiver, 3.3V supply, mod. def. 4
FTR-8520-5	Shortwave Multi-mode GBIC Tranceiver, 5V supply, mod. def. 4 with Auto-sensing OFC control
FTR-1319P-5A	Longwave Single-mode GBIC Tranceiver, 5V supply, mod. def. 4
FTR-1319-3A	Longwave Single-mode GBIC Tranceiver, 3.3V supply, mod. def. 4
FTR-1320-5	Longwave Single-mode GBIC Tranceiver, 5V supply, mod. def. 4 with Auto-sensing OFC control
FTR-1012	Evaluation Board

# Finisar

1308 Moffett Park Drive • Sunnyvale, CA 94089

Phone (US Toll Free): 408.548.1000

Email: sales@finisar.com

www.finisar.com





## Artisan Technology Group is your source for quality new and certified-used/pre-owned equipment

- FAST SHIPPING AND DELIVERY
- TENS OF THOUSANDS OF IN-STOCK ITEMS
- EQUIPMENT DEMOS
- HUNDREDS OF MANUFACTURERS SUPPORTED
- LEASING/MONTHLY RENTALS
- ITAR CERTIFIED SECURE ASSET SOLUTIONS

### SERVICE CENTER REPAIRS

Experienced engineers and technicians on staff at our full-service, in-house repair center

### *InstraView*<sup>SM</sup> REMOTE INSPECTION

Remotely inspect equipment before purchasing with our interactive website at [www.instraview.com](http://www.instraview.com) ↗

### WE BUY USED EQUIPMENT

Sell your excess, underutilized, and idle used equipment. We also offer credit for buy-backs and trade-ins. [www.artisanng.com/WeBuyEquipment](http://www.artisanng.com/WeBuyEquipment) ↗

### LOOKING FOR MORE INFORMATION?

Visit us on the web at [www.artisanng.com](http://www.artisanng.com) ↗ for more information on price quotations, drivers, technical specifications, manuals, and documentation

**Contact us:** (888) 88-SOURCE | [sales@artisanng.com](mailto:sales@artisanng.com) | [www.artisanng.com](http://www.artisanng.com)