



Artisan Technology Group is your source for quality new and certified-used/pre-owned equipment

- FAST SHIPPING AND DELIVERY
- TENS OF THOUSANDS OF IN-STOCK ITEMS
- EQUIPMENT DEMOS
- HUNDREDS OF MANUFACTURERS SUPPORTED
- LEASING/MONTHLY RENTALS
- ITAR CERTIFIED SECURE ASSET SOLUTIONS

SERVICE CENTER REPAIRS

Experienced engineers and technicians on staff at our full-service, in-house repair center

*InstraView*SM REMOTE INSPECTION

Remotely inspect equipment before purchasing with our interactive website at www.instraview.com ↗

WE BUY USED EQUIPMENT

Sell your excess, underutilized, and idle used equipment. We also offer credit for buy-backs and trade-ins. www.artisanng.com/WeBuyEquipment ↗

LOOKING FOR MORE INFORMATION?

Visit us on the web at www.artisanng.com ↗ for more information on price quotations, drivers, technical specifications, manuals, and documentation

Contact us: (888) 88-SOURCE | sales@artisanng.com | www.artisanng.com



A20500



ACE® Light Source with EKE lamp, A20500

ACE® Light Source

Compact, rugged, AC halogen light source with solid state dimmer for variable light intensity and maximizing lamp life.

Standard Features

- Solid state dimmer for continuous control zero to full intensity.
- Heavy duty, grounded metal housing.
- 115 or 230 input voltage versions available.
- IR interference filter for cool illumination.
- Full illumination on .60" active diameter input.
- Interchangeable Modulamp® Units offer 2 positions to maximize individual lamp efficiencies.
- Choice of three, 150 watt halogen lamps - EJA, EKE, and DDL for intense, uniform illumination.
- Built-in thermal shut down.
- Quiet rear exhaust.
- CSA approved to UL spec, CE compliant.
- Stackable with retractable handle.
- Low housing temp - slightly above ambient.
- Detachable IEC cord.
- 3-year warranty (excludes lamp and socket).
- Manufactured in the USA.

ACE® Light Source Models		
115 Volt	230 Volt	Description
Standard Light Sources		
A20500	A20510	EKE Lamp
A20500.1	A20510.1	EJA Lamp
A20500.2	A20510.2	DDL Lamp
Light Sources with Iris Diaphragm		
A20520	A20530	EKE Lamp
A20520.1	A20530.1	EJA Lamp
A20520.2	A20530.2	DDL Lamp
Light Source without Modulamp® Unit		
A20500.115	A20510.230	No Modulamp®

EKE, DDL, and EJA lamps and Modulamp® units can be purchased separately.

Options

- Rear baffle.
- Dimmer lock.
- Shutter module.
- Private labeling available.
- Infinite setting, thirteen blade iris diaphragm version available to reduce intensity while maintaining color temperature.
- ACE® Remote light source is also available. See page 01.01.05 in product catalog.

Power Supply Specifications

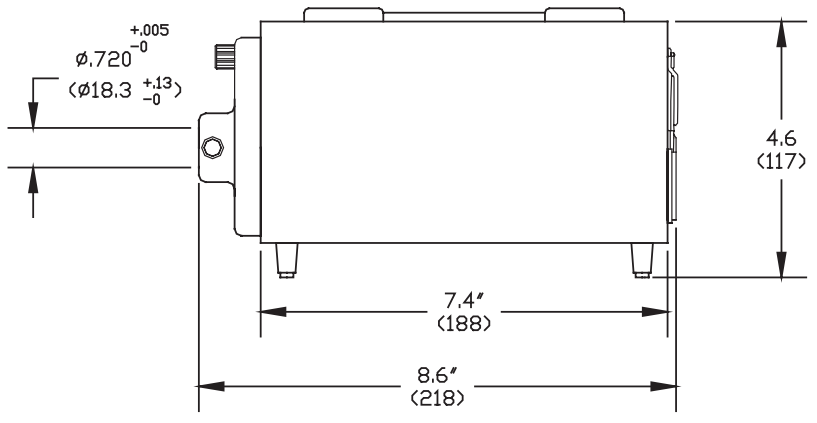
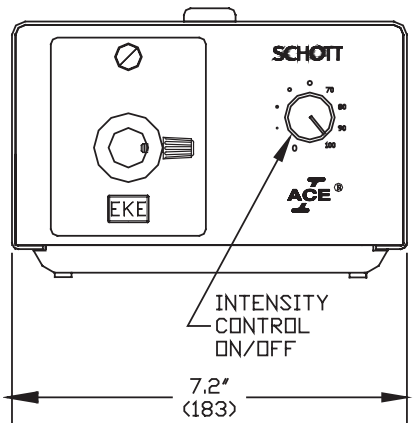
Power Consumption	190 Watts (nominal)
Output Voltage	0 - 21 VAC
Fiber Receptacle	.720 (13.3 mm)
Input Voltage	115 VAC / 60 Hz 230 VAC / 50/60 Hz
Temperature Range: Operating	0° to 50°C

01.01.01 REV E

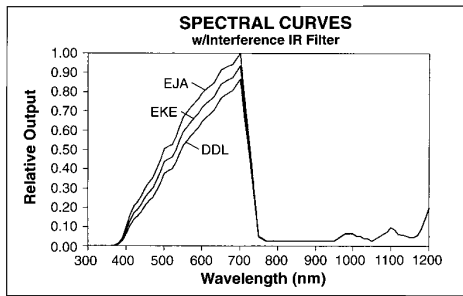
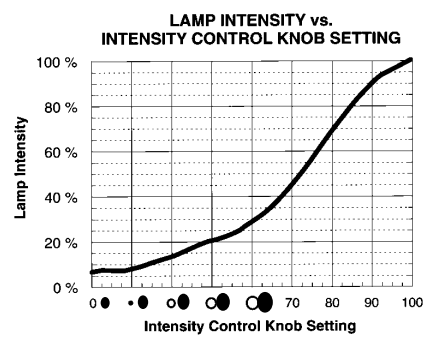
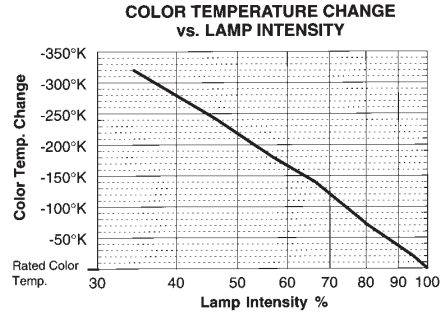
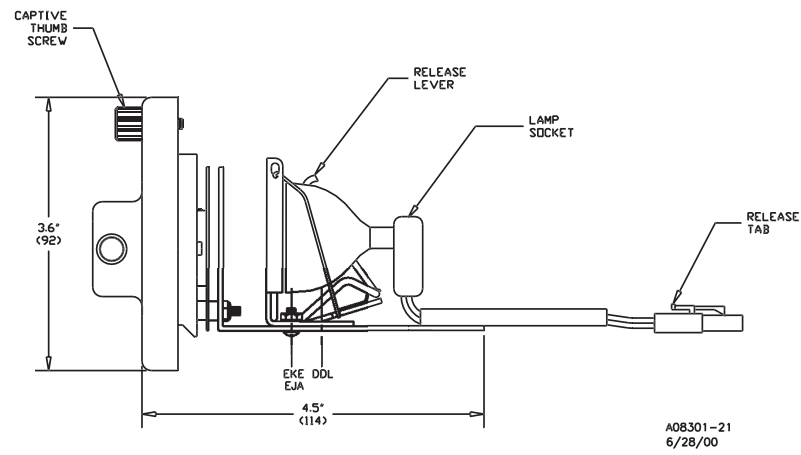
SCHOTT

ACE® Light Source

Dimensions in () are in mm



Input: 115 VAC/60 Hz, 230 VAC/50/60 Hz, Output: 0-21 VAC



Modulamp®... SCHOTT Innovation! Two positions optimize light intensity output, depending on the lamp in use. Entire housing is interchangeable for quick setup.

Choice of Lamps.. SCHOTT Versatility! Three different bulbs (EJA, EKE, DDL) offer light intensity and color temperature options to maximize productivity and accuracy.

Solid State Dimmer..SCHOTT Control! Continuous intensity control for lamp life management.

Fiber Optics
SCHOTT North America, Inc.
 62 Columbus Street
 Auburn, NY 13021-3137
 USA
 Phone: +1315/255-2791
 Fax: +1315/255-2695
 E-mail: fiberoptics.auburn@us.schott.com
www.us.schott.com/fiberoptics





Artisan Technology Group is your source for quality new and certified-used/pre-owned equipment

- FAST SHIPPING AND DELIVERY
- TENS OF THOUSANDS OF IN-STOCK ITEMS
- EQUIPMENT DEMOS
- HUNDREDS OF MANUFACTURERS SUPPORTED
- LEASING/MONTHLY RENTALS
- ITAR CERTIFIED SECURE ASSET SOLUTIONS

SERVICE CENTER REPAIRS

Experienced engineers and technicians on staff at our full-service, in-house repair center

*InstraView*SM REMOTE INSPECTION

Remotely inspect equipment before purchasing with our interactive website at www.instraview.com ↗

WE BUY USED EQUIPMENT

Sell your excess, underutilized, and idle used equipment. We also offer credit for buy-backs and trade-ins. www.artisanng.com/WeBuyEquipment ↗

LOOKING FOR MORE INFORMATION?

Visit us on the web at www.artisanng.com ↗ for more information on price quotations, drivers, technical specifications, manuals, and documentation

Contact us: (888) 88-SOURCE | sales@artisanng.com | www.artisanng.com