



Artisan Technology Group is your source for quality new and certified-used/pre-owned equipment

- FAST SHIPPING AND DELIVERY
- TENS OF THOUSANDS OF IN-STOCK ITEMS
- EQUIPMENT DEMOS
- HUNDREDS OF MANUFACTURERS SUPPORTED
- LEASING/MONTHLY RENTALS
- ITAR CERTIFIED SECURE ASSET SOLUTIONS

SERVICE CENTER REPAIRS

Experienced engineers and technicians on staff at our full-service, in-house repair center

*InstraView*SM REMOTE INSPECTION

Remotely inspect equipment before purchasing with our interactive website at www.instraview.com ↗

WE BUY USED EQUIPMENT

Sell your excess, underutilized, and idle used equipment. We also offer credit for buy-backs and trade-ins. www.artisanng.com/WeBuyEquipment ↗

LOOKING FOR MORE INFORMATION?

Visit us on the web at www.artisanng.com ↗ for more information on price quotations, drivers, technical specifications, manuals, and documentation

Contact us: (888) 88-SOURCE | sales@artisanng.com | www.artisanng.com

DATA SHEET

Thermal Jacket Stripper HJS-02

For specialty fiber splice application



HJS-02

The HJS-02 is suitable for use to strip specialty fibers and accepts the FH-40 series Fiber Holder System.

The HJS-02 is equipped with a heater, which softens the coating of the fiber for smooth stripping.

SPECIFICATIONS

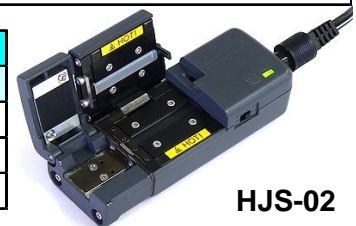
Applicable fiber	Silica optical fiber
Fiber count	Single
Cladding diameter	125 μ m
Coating diameter	250 to 400 μ m
Stripping length	Max. 35 mm
Heating time	Approx. 3 sec. at normal mode Approx. 8 sec. at power saving mode
Power supply	12 V DC from Fujikura splicer with DC power cord 85 to 265 V AC with optional AC adapter.
Fiber setting	by FH-40 series Fiber Holder
Dimensions	107W x 40D x 29H mm
Weight	195 g

STANDARD PACKAGE

Description	Model	Q'ty
Stripper main body	HJS-02	1 pc.
DC power cord for FSM-50R/17R	DCC-11	1 pc.
Cleaning brush	BRS-01	1 pc.
Hexagonal wrench	-	1 pc.
Instruction manual	-	1 pc.

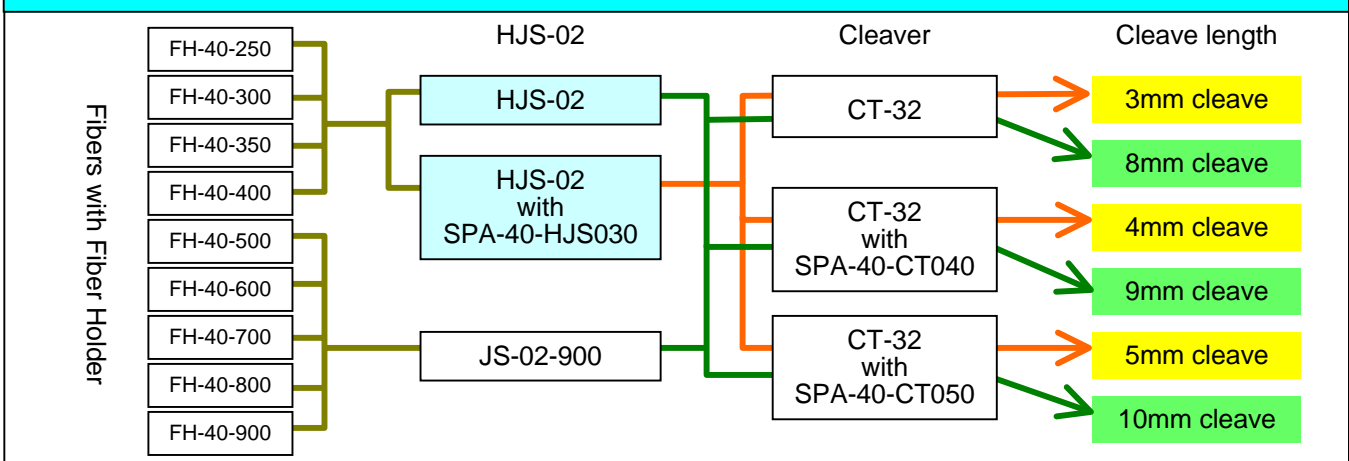
OPTIONAL ITEMS

Description	Model
AC adaptor	ADC-09
AC power cord	ACC-08 ~ -12
HJS spacer	SPA-40-HJS030



HJS-02

APPLICATION



Specifications and descriptions are subject to change without prior notice.

Fujikura Ltd.

1-5-1, Kiba, Koto-ku, Tokyo 135-8512, Japan
Phone : +81-3-5606-1164 Fax : +81-3-5606-1534 <http://www.fujikura.co.jp>

Fujikura Asia Ltd.

460, Alexandra Road, #22-01 PSA Bldg., Singapore 119963
Phone : +65-6-271-1312 Fax : +65-6-278-0965 <http://www.fujikura.co.sg>

Fujikura Europe Ltd.

C51 Barwell Business Park, Leatherhead Road, Chessington, Surrey KT9 2NY, UK
Phone : +44-20-8240-2000 Fax : +44-20-8240-2010 <http://www.fujikura.co.uk>

AFL Telecommunications

260, Parkway East, Duncan, SC29334, USA
Phone : +1-800-235-3423 Fax : +1-800-926-0007 <http://www.afttele.com>



Artisan Technology Group is your source for quality new and certified-used/pre-owned equipment

- FAST SHIPPING AND DELIVERY
- TENS OF THOUSANDS OF IN-STOCK ITEMS
- EQUIPMENT DEMOS
- HUNDREDS OF MANUFACTURERS SUPPORTED
- LEASING/MONTHLY RENTALS
- ITAR CERTIFIED SECURE ASSET SOLUTIONS

SERVICE CENTER REPAIRS

Experienced engineers and technicians on staff at our full-service, in-house repair center

*InstraView*SM REMOTE INSPECTION

Remotely inspect equipment before purchasing with our interactive website at www.instraview.com ↗

WE BUY USED EQUIPMENT

Sell your excess, underutilized, and idle used equipment. We also offer credit for buy-backs and trade-ins. www.artisanng.com/WeBuyEquipment ↗

LOOKING FOR MORE INFORMATION?

Visit us on the web at www.artisanng.com ↗ for more information on price quotations, drivers, technical specifications, manuals, and documentation

Contact us: (888) 88-SOURCE | sales@artisanng.com | www.artisanng.com