



## Artisan Technology Group is your source for quality new and certified-used/pre-owned equipment

- FAST SHIPPING AND DELIVERY
- TENS OF THOUSANDS OF IN-STOCK ITEMS
- EQUIPMENT DEMOS
- HUNDREDS OF MANUFACTURERS SUPPORTED
- LEASING/MONTHLY RENTALS
- ITAR CERTIFIED SECURE ASSET SOLUTIONS

### SERVICE CENTER REPAIRS

Experienced engineers and technicians on staff at our full-service, in-house repair center

### *InstraView*<sup>SM</sup> REMOTE INSPECTION

Remotely inspect equipment before purchasing with our interactive website at [www.instraview.com](http://www.instraview.com) ↗

### WE BUY USED EQUIPMENT

Sell your excess, underutilized, and idle used equipment. We also offer credit for buy-backs and trade-ins. [www.artisanng.com/WeBuyEquipment](http://www.artisanng.com/WeBuyEquipment) ↗

### LOOKING FOR MORE INFORMATION?

Visit us on the web at [www.artisanng.com](http://www.artisanng.com) ↗ for more information on price quotations, drivers, technical specifications, manuals, and documentation

**Contact us:** (888) 88-SOURCE | [sales@artisanng.com](mailto:sales@artisanng.com) | [www.artisanng.com](http://www.artisanng.com)

- 32 bits of differential voltage outputs
- RS-422/RS-485 compatible drivers and receivers
- 8-, 16-, or 32-bit transfers
- Each data bit in each 16-bit data word represents one discrete line pair
- Built-in-Test (all active components are tested)
- Front panel with fail LED
- Compatible with VMIC's family of Intelligent I/O Controllers
- Software compatible with VMIVME-2532
- Powerup replacement option

### FUNCTIONAL CHARACTERISTICS

**Compatibility:** VMEbus specification compatible double height form factor

**I/O Organization:** Four ports eight bits wide. Addressable to any address within short supervisory or short nonprivileged I/O map. Ports are individually addressable as 8-, 16-, or 32-bit words.

**Built-in-Test Features:** This board is designed with internal self-test logic. The VMIVME-2533 supports real-time and off-line loopback testing to support fault detection and isolation to board/bit level.

**Address Modifier Codes:** Jumper-selectable for short supervisory and/or short nonprivileged I/O access. Factory configured for short supervisory I/O access.

**Control and Status Register (CSR):** A CSR is provided to control the front panel Fail LED and internal Built-in-Test features

**Board Address:** Address selection jumpers are provided to select board addresses within the short I/O memory map.

**Fail LED:** A front panel Fail LED is provided. The LED is illuminated at power up and extinguished under program control upon a successful diagnostic execution.

### PHYSICAL/ENVIRONMENTAL

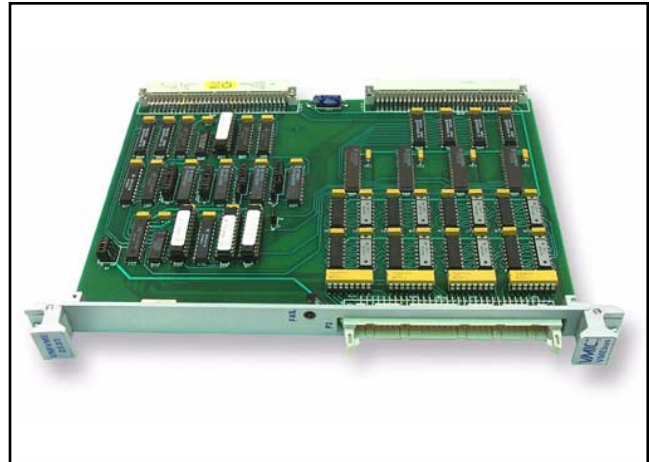
**Temperature Range:** 0 to 55 °C, operating  
-20 to 85 °C, storage

**Relative Humidity Range:** 20 to 80 percent, noncondensing

**Cooling:** Convection

**Power Requirements:** +5 V at 3.786 A maximum

**MTBF:** 224,000 hours (217F)



### TRADEMARKS

The VMIC logo is a registered trademark of VMIC. Other registered trademarks are the property of their respective owners.

Ordering Options							
June 7, 1999 800-002533-000 E	A	B	C	-	D	E	F
VMIVME-2533	-	0	0	-			
<b>A = 0 (Option reserved for future use)</b> <b>B = Termination Resistors</b> 0 = Without Termination Resistors 1 = With 120 Ω Termination Resistors* <b>C = 0 (Option reserved for future use)</b>							
Note							
* The termination resistors are socketed and can be removed if termination at the transmission side is not required.							
Connector Data							
Compatible Cable Connector	Panduit No. 120-964-435						
Strain Relief	Panduit No. 100-000-072						
PC Board Connector	Panduit No. 120-964-033A						
Note							
Panduit is also known as ITW/Pancon.							
<b>For Ordering Information, Call:</b> 1-800-322-3616 or 1-256-880-0444 • FAX (256) 882-0859 E-mail: info@vmic.com Web Address: www.vmic.com Copyright © March 1988 by VMIC Specifications subject to change without notice.							

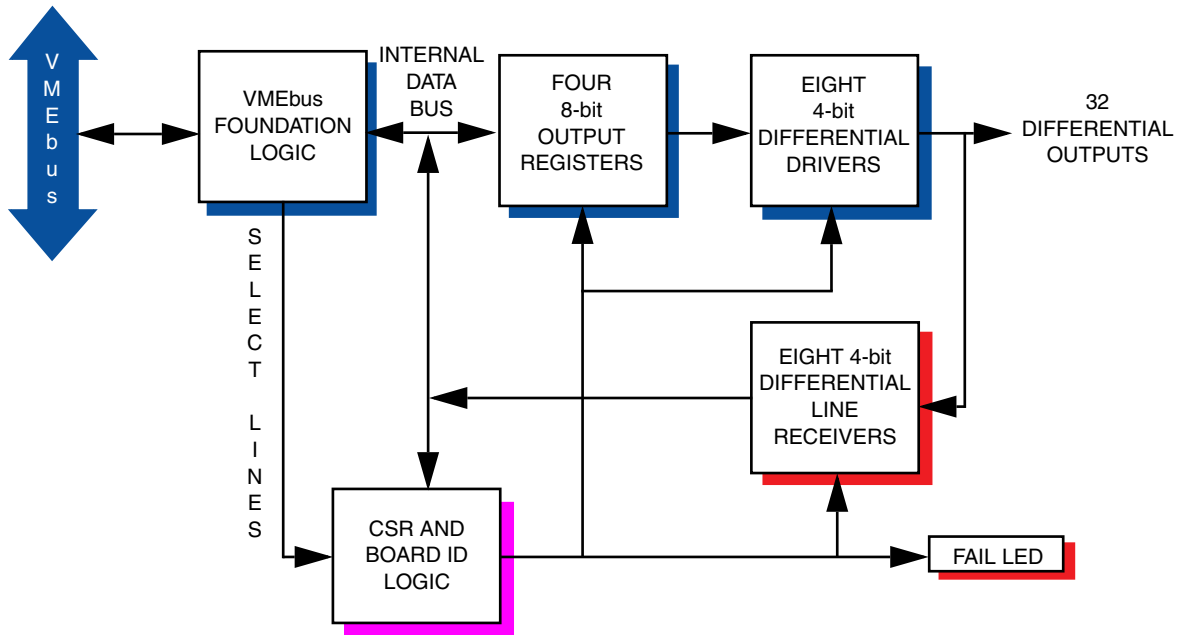


Figure 1. VMIVME-2533 Functional Block Diagram

**APPLICATION AND CONFIGURATION GUIDES** — The following Application and Configuration Guides are available from VMIC to assist the user in the selection, specification, and implementation of systems based on VMIC’s products:

Title	Document No.
Digital Input Board Application Guide	825-000000-000
Change-of-State Board Application Guide	825-000000-002
Digital I/O (with Built-in-Test) Product Line Description	825-000000-003
Synchro/Resolver (Built-in-Test) Subsystem Configuration Guide	825-000000-004
Analog I/O Products (with Built-in-Test) Configuration Guide	825-000000-005
Connector and I/O Cable Application Guide	825-000000-006



## Artisan Technology Group is your source for quality new and certified-used/pre-owned equipment

- FAST SHIPPING AND DELIVERY
- TENS OF THOUSANDS OF IN-STOCK ITEMS
- EQUIPMENT DEMOS
- HUNDREDS OF MANUFACTURERS SUPPORTED
- LEASING/MONTHLY RENTALS
- ITAR CERTIFIED SECURE ASSET SOLUTIONS

### SERVICE CENTER REPAIRS

Experienced engineers and technicians on staff at our full-service, in-house repair center

### *InstraView*<sup>SM</sup> REMOTE INSPECTION

Remotely inspect equipment before purchasing with our interactive website at [www.instraview.com](http://www.instraview.com) ↗

### WE BUY USED EQUIPMENT

Sell your excess, underutilized, and idle used equipment. We also offer credit for buy-backs and trade-ins. [www.artisanng.com/WeBuyEquipment](http://www.artisanng.com/WeBuyEquipment) ↗

### LOOKING FOR MORE INFORMATION?

Visit us on the web at [www.artisanng.com](http://www.artisanng.com) ↗ for more information on price quotations, drivers, technical specifications, manuals, and documentation

**Contact us:** (888) 88-SOURCE | [sales@artisanng.com](mailto:sales@artisanng.com) | [www.artisanng.com](http://www.artisanng.com)