



Artisan Technology Group is your source for quality new and certified-used/pre-owned equipment

- FAST SHIPPING AND DELIVERY
- TENS OF THOUSANDS OF IN-STOCK ITEMS
- EQUIPMENT DEMOS
- HUNDREDS OF MANUFACTURERS SUPPORTED
- LEASING/MONTHLY RENTALS
- ITAR CERTIFIED SECURE ASSET SOLUTIONS

SERVICE CENTER REPAIRS

Experienced engineers and technicians on staff at our full-service, in-house repair center

*InstraView*SM REMOTE INSPECTION

Remotely inspect equipment before purchasing with our interactive website at www.instraview.com ↗

WE BUY USED EQUIPMENT

Sell your excess, underutilized, and idle used equipment. We also offer credit for buy-backs and trade-ins. www.artisanng.com/WeBuyEquipment ↗

LOOKING FOR MORE INFORMATION?

Visit us on the web at www.artisanng.com ↗ for more information on price quotations, drivers, technical specifications, manuals, and documentation

Contact us: (888) 88-SOURCE | sales@artisanng.com | www.artisanng.com



Dual-channel, dual-redundant MIL-STD-1553B mezzanine

Enhanced Mini-ACE

66 MHz, 32-bit PCI rev 2.2 interface

Direct and Transformer Coupled

Low power consumption

16 Mbytes FLASH On-board

8-bit TTL digital interface

Air and Conduction-cooled ruggedization levels



Product Overview

PMC1553E is a single or dual channel MIL-STD-1553B mezzanine suitable for use in a wide range of embedded applications in both air and conduction cooled environments. Performance has been significantly enhanced over previous generations, with 66 MHz PCI bridging providing improved access to the 1553 bus. This also ensures greater compatibility with the latest generation PowerPC processor boards and CompactPCI single board computers.

Typical applications for PMC1553E include: mission electronics, navigational aids, target acquisition, UAV's, electronic countermeasures and stores management.

The module is compliant with MIL-STD-1553A, MIL-STD-1553B Notice 2 and STANAG 3838 protocols. Each channel may be independently selected as Bus Controller (BC), Remote Terminal (RT) or Bus Monitor (BM).

Direct and Transformer Coupled

Both direct and transformer-coupled signaling is routed to the P14 rear connector for maximum flexibility. Addressing for each channel on the PMC1553E may be set either by software or hard-wired from the backplane, via the P14 connector.

Low Power

Offering a typical thermal load of less than 4.5W, the mezzanine is designed for temperature extremes from -40°C to +85°C at the coldwall.

Software Support

Built-In-Test (BIT) firmware for the mezzanine can be supplied resident in FLASH. For ease of integration, Radstone also offers a high-level 1553 software library suitable for VxWorks, Greenhills Integrity, LynxOS and other real-time operating systems.



**RADSTONE
TECHNOLOGY**

Why settle for less

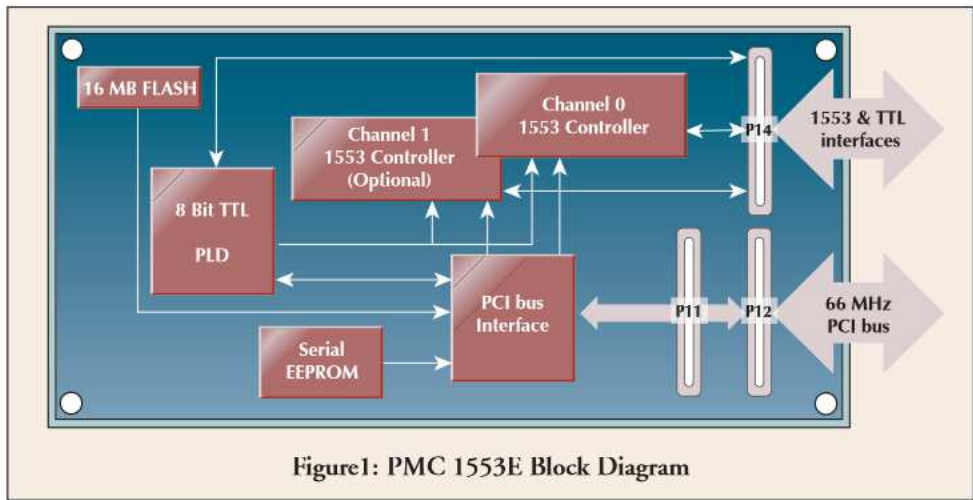


Figure 1: PMC 1553E Block Diagram

Specification

Standards	MIL-STD-1553A, MIL-STD-1553B Notice 2 and STANAG 3838
Bus Interface	BU-61864 Single or Dual Channel
RAM (per channel)	64Kx17-bit RAM with parity
Digital I/O Interface	8-bit TTL, each line independently programmable as input or output
FLASH	16 MB (Megabytes)
EEPROM	32 KB (Kilobytes)
Host Interface	66 MHz, 32-bit PCI Local Bus specification Rev 2.2
Mean Time Between Failures	1,161,000 hours, Ground Benign 30°C
Form Factor	IEEE P1386.1 PMC specification. Draft 2.0 IEEE P1386 CMC specification. Draft 2.0 ANSI VITA20-2001 Conduction-cooled PMC Specification
Power	5V ±0.25V @ 0.85A typical (1.6 A max)
Dimensions	143.75 x 74 mm, stacking height 10 mm
Environmental	Ruggedization levels 1-5. See Radstone's ruggedization data sheet (RT184)

Standard Ordering Information

Sales Code	Description
PMC1553E-150	Single channel MIL-STD-1553B interface, ruggedization level 1
PMC1553E-250	Air-cooled level 2 as above with conformal coating
PMC1553E-350	Air-cooled level 3 as above with conformal coating
PMC1553E-450	Conduction-cooled level 4 as above with conformal coating
PMC1553E-550	Conduction-cooled level 5 as above with conformal coating
PMC1553E-155	Dual channel MIL-STD-1553B interface, ruggedization level 1
PMC1553E-255	Air-cooled level 2 as above with conformal coating
PMC1553E-355	Air-cooled level 3 as above with conformal coating
PMC1553E-455	Conduction-cooled level 4 as above with conformal coating
PMC1553E-555	Conduction-cooled level 5 as above with conformal coating
1553EP2-11	PMC1553E P2 adapter
C-CBL000039-412	PMC1553E P0 cable
1553-LIBMS	1553 Library Software Maintenance on CDROM

UK

Radstone Technology
Water Lane
Towcester
Northants NN12 6JN
Telephone: +44 (0) 1327 359444
Facsimile: +44 (0) 1327 359662
E-mail: sales@radstone.co.uk
Videoconferencing: +44 (0) 1327 359495
(by arrangement)

USA

Radstone Technology Corporation
50 Tice Boulevard
Woodcliff Lake, NJ 07677-7645
Telephone: +1 800 368-2738
Facsimile: +1 (201) 391-2899
E-mail: sales@radstone.com

Eastern Area: +1 (201) 391-2700
Mid-Atlantic Region: +1 (201) 391-2700
Southeast Region: +1 (321) 308-0240
Western Region: +1 (909) 974-1141
Central Region: +1 (480) 964 5407

CANADA

Interactive Circuits and Systems Ltd
5430 Canotek Road
Ottawa, Ontario
K1J 9G2
Telephone: +1 (613) 749-9241
Facsimile: +1 (613) 749-9461
Toll Free: (US Only) 800 267-9794
E-mail: info@ics-ltd.com

Helpdesk: +44 (0) 1327 359804
E-mail: support@radstone.co.uk



RADSTONE
TECHNOLOGY

Meet us on the Web at www.radstone.com

RADSTONE and the Radstone symbol are registered trademarks of Radstone Technology PLC. All other trademarks are the property of their respective owners.

© Radstone Technology PLC 2003

Printed in UK Publication RT281 5K10/2003

This publication is issued to provide outline information only which (unless agreed by the company in writing) may not be used, applied or reproduced for any purpose or form part of any order or contract or be regarded as a representation relating to products or services concerned. The company reserve the right to alter without notice the specification, design, price or conditions of supply of any product or service.





Artisan Technology Group is your source for quality new and certified-used/pre-owned equipment

- FAST SHIPPING AND DELIVERY
- TENS OF THOUSANDS OF IN-STOCK ITEMS
- EQUIPMENT DEMOS
- HUNDREDS OF MANUFACTURERS SUPPORTED
- LEASING/MONTHLY RENTALS
- ITAR CERTIFIED SECURE ASSET SOLUTIONS

SERVICE CENTER REPAIRS

Experienced engineers and technicians on staff at our full-service, in-house repair center

*InstraView*SM REMOTE INSPECTION

Remotely inspect equipment before purchasing with our interactive website at www.instraview.com ↗

WE BUY USED EQUIPMENT

Sell your excess, underutilized, and idle used equipment. We also offer credit for buy-backs and trade-ins. www.artisanng.com/WeBuyEquipment ↗

LOOKING FOR MORE INFORMATION?

Visit us on the web at www.artisanng.com ↗ for more information on price quotations, drivers, technical specifications, manuals, and documentation

Contact us: (888) 88-SOURCE | sales@artisanng.com | www.artisanng.com