



Artisan Technology Group is your source for quality new and certified-used/pre-owned equipment

- FAST SHIPPING AND DELIVERY
- TENS OF THOUSANDS OF IN-STOCK ITEMS
- EQUIPMENT DEMOS
- HUNDREDS OF MANUFACTURERS SUPPORTED
- LEASING/MONTHLY RENTALS
- ITAR CERTIFIED SECURE ASSET SOLUTIONS

SERVICE CENTER REPAIRS

Experienced engineers and technicians on staff at our full-service, in-house repair center

*InstraView*SM REMOTE INSPECTION

Remotely inspect equipment before purchasing with our interactive website at www.instraview.com ↗

WE BUY USED EQUIPMENT

Sell your excess, underutilized, and idle used equipment. We also offer credit for buy-backs and trade-ins. www.artisanng.com/WeBuyEquipment ↗

LOOKING FOR MORE INFORMATION?

Visit us on the web at www.artisanng.com ↗ for more information on price quotations, drivers, technical specifications, manuals, and documentation

Contact us: (888) 88-SOURCE | sales@artisanng.com | www.artisanng.com

GENERAL INFORMATION

1.2 OVERVIEW

The Modicon® 884 Programmable Controller has three processors in one enclosure. The enclosure is called the 884A Controller. The controller slides into a module housing with backplane which it shares with a power supply, 800 series I/O modules and up to four option cards.

The 884 Controller has one main processor that executes the main body of software in the system and two front-end processors which handle the low-level logic required to drive the Modbus and I/O ports. The main processor is an 8086, and the front ends are each 8051s. The front ends communicate with the main CPU via 1K byte switch RAMs. The switches are controlled by handshake logic.

1.3 POWER SUPPLY

The P800 Power Supply is capable of providing all system DC power to the 884A Controller and up to 256 I/O points.

The P800 Power Supply prime power requirement is 115 or 230 VAC, 50/60 Hz. There are six outputs from the power supply which connect to the housing backplane. All outputs are tightly regulated and can be short circuited without damage to the power supply.

The output connector is the card edge and plugs the power supply into the backplane of the module housing. The power supply module seats in the leftmost slot.

1.4 MODULE HOUSING

Table 1-1 lists the various module housing assemblies that are available.

Table 1-1 Module Housing Assemblies

Part number	Description
AS-H819-000	19 inch housing capable of housing only I/O modules.
AS-H819-003	19 inch housing capable of housing power supply, controller, and I/O modules.
AS-H819-007	19 inch housing capable of housing power supply, controller, I/O modules, and Options.
AS-H827-000	27 inch housing capable of housing only I/O modules.
AS-H827-003	27 inch housing capable of housing power supply, controller, and I/O modules.
AS-H827-007	27 inch housing capable of housing power supply, controller, I/O modules, and Options.

FUNCTIONAL DESCRIPTION

2.3 MODBUS CONNECTOR PORT

The Modbus port is a standard RS-232-C port. It is located on the controller front panel (see Figure 2-1). The P190 Programmer or the Modbus Industrial Communications Network connects at this port.

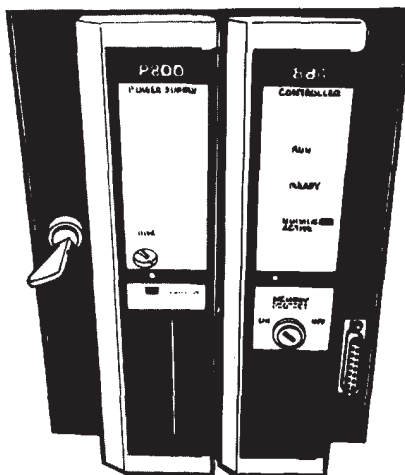


Figure 2-1 884A Controller Module

2.4 POWER SUPPLY DESCRIPTION

2.4.1 P800 Power Supply Module

The P800 Power Supply module installs to the left of the controller, and connects to the backplane. The power supply provides power to the controller module, I/O modules, and controller option modules. Figure 2-2 shows the power supply module.

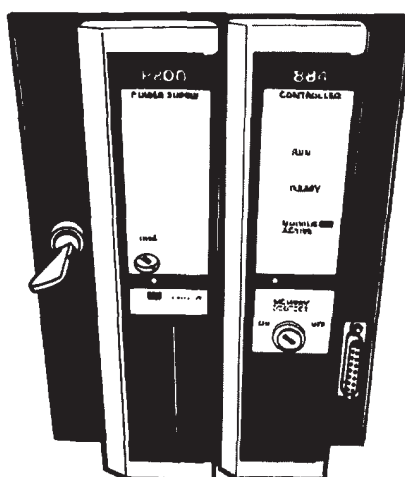


Figure 2-2 Power Supply Module

2.4.2 Power Supply Module Indicators

The LED indicator lights are located on the front panel of the power supply are PWR and OVERLOAD.

FUNCTIONAL DESCRIPTION

POWER OK — indicates that the power supply is functioning properly.

OVERLOAD — indicates that the configured power output has exceeded the specified limits and that the fuse must be replaced. The P800 power supply requires an 8A 250 volt type fuse.

2.4.3 Power Supply Module Controls

The power key switch on the power supply's front panel, turns the power supply ON and OFF.

CAUTION

The power switch must be OFF when installing or removing the power supply.

2.4.4 Power Supply Module Connections

The AC power connects to the screw terminals on the module terminal block (Figure 2-3). The terminal block has a shield to protect against accidental shock.

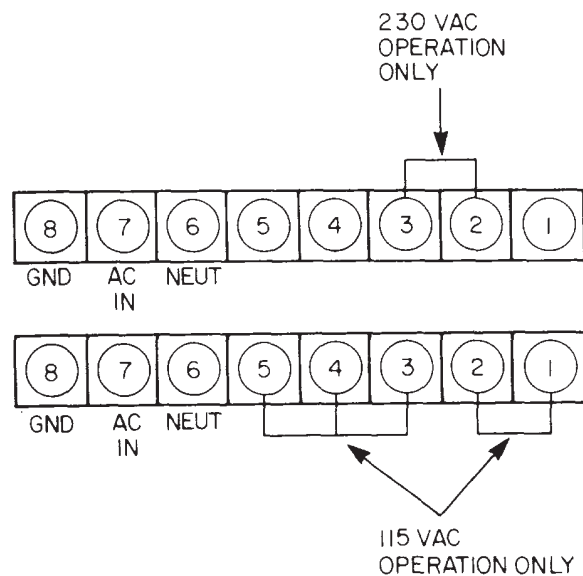


Figure 2-3 Power Supply Terminal Block

Jumpers are used to set the power supply for an input voltage of either 115 or 230 VAC. When jumpers are installed between pins 1 and 2, 3 and 4, and 5, the 884 PC is set for an input voltage of 115 VAC. When a jumper is installed between pins 2 and 3, the 884 PC is set for an input voltage of 230 VAC. The P800 power supply is shipped with jumpers in place for 115 VAC operation.

The power supply output connections are achieved by an edgeboard connector which mates with a connector on the backplane of the module housing.

2.5 I/O DESCRIPTION

User connections are made to terminal strips attached to the front of the housing. These are standard screw-type terminal strips that are mounted vertically on the



Artisan Technology Group is your source for quality new and certified-used/pre-owned equipment

- FAST SHIPPING AND DELIVERY
- TENS OF THOUSANDS OF IN-STOCK ITEMS
- EQUIPMENT DEMOS
- HUNDREDS OF MANUFACTURERS SUPPORTED
- LEASING/MONTHLY RENTALS
- ITAR CERTIFIED SECURE ASSET SOLUTIONS

SERVICE CENTER REPAIRS

Experienced engineers and technicians on staff at our full-service, in-house repair center

*InstraView*SM REMOTE INSPECTION

Remotely inspect equipment before purchasing with our interactive website at www.instraview.com ↗

WE BUY USED EQUIPMENT

Sell your excess, underutilized, and idle used equipment. We also offer credit for buy-backs and trade-ins. www.artisanng.com/WeBuyEquipment ↗

LOOKING FOR MORE INFORMATION?

Visit us on the web at www.artisanng.com ↗ for more information on price quotations, drivers, technical specifications, manuals, and documentation

Contact us: (888) 88-SOURCE | sales@artisanng.com | www.artisanng.com