



## Artisan Technology Group is your source for quality new and certified-used/pre-owned equipment

- FAST SHIPPING AND DELIVERY
- TENS OF THOUSANDS OF IN-STOCK ITEMS
- EQUIPMENT DEMOS
- HUNDREDS OF MANUFACTURERS SUPPORTED
- LEASING/MONTHLY RENTALS
- ITAR CERTIFIED SECURE ASSET SOLUTIONS

### SERVICE CENTER REPAIRS

Experienced engineers and technicians on staff at our full-service, in-house repair center

### *InstraView*<sup>SM</sup> REMOTE INSPECTION

Remotely inspect equipment before purchasing with our interactive website at [www.instraview.com](http://www.instraview.com) ↗

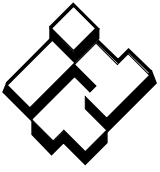
### WE BUY USED EQUIPMENT

Sell your excess, underutilized, and idle used equipment. We also offer credit for buy-backs and trade-ins. [www.artisanng.com/WeBuyEquipment](http://www.artisanng.com/WeBuyEquipment) ↗

### LOOKING FOR MORE INFORMATION?

Visit us on the web at [www.artisanng.com](http://www.artisanng.com) ↗ for more information on price quotations, drivers, technical specifications, manuals, and documentation

**Contact us:** (888) 88-SOURCE | [sales@artisanng.com](mailto:sales@artisanng.com) | [www.artisanng.com](http://www.artisanng.com)



# ITT

Commercial Water

## Goulds Pumps

SSV G&L Series  
Repair Parts



Goulds Pumps is a brand of ITT Water Technology, Inc.  
- a subsidiary of ITT Industries, Inc.

[www.goulds.com](http://www.goulds.com)

*Engineered for life*

## TABLE OF CONTENTS

### SSV MULTI-STAGE

SSV Product Line Numbering System .....	3-4
Impellers and Intermediate bearings layout .....	5
Bearings Position.....	6
Coupling table.....	7
1SV and 2SV Sectional view of pump.....	8
1SV and 2SV List of repair parts .....	9
3SV and 4SV Sectional view of pump.....	10
3SV and 4SV List of repair parts .....	11
33SV and 46SV Sectional view of pump.....	12
33SV and 46SV List of repair parts .....	13
66SV and 92SV Sectional view of pump.....	14
66SV and 92SV List of repair parts .....	15
Horizontal Mounting options.....	16
Victaulic connections .....	16
Motor Adapter and Adapter Ring table.....	17
Obsolete 5SV and 6SV Information .....	18-22

# 1 – 4SV PRODUCT LINE NUMBERING SYSTEM

The various versions of the SSV line are identified by a product code number on the pump label. The number is also the catalog number for the pump. The meaning of each digit in the product code is shown below.

2 SV A 1 D 2 B 0 H

### OPTIONS

H = Horizontal Mounting      AQ = Staging for Aquavar Units  
Vic = Victaulic Connections

### MECHANICAL SEAL OPTIONS

Code No.	Rotary	Stationary	Elasto- mers	1SV		2SV		3SV		4SV		5SV / 6SV	
				60 Hz (2-16 stg.)	60 Hz (18-22 stg.)	60 Hz (2-15 stg.)	60 Hz (16-22 stg.)	60 Hz (2-13 stg.)	60 Hz (14-16 stg.)	60 Hz (2-10 stg.)	60 Hz (12 stg.)	60 Hz (all)	DPS (all)
				50 Hz (all)	DPS (all)	50 Hz (all)	DPS (all)	50 Hz (all)	DPS (all)	50 Hz (all)	DPS (all)	50 Hz (all)	
0	High Temp Carbon	Silicon Carbide	Viton	10K93	10K113	10K93	10K113	10K94	10K114	10K94	10K114	10K95	10K95
2	Silicon Carbide		EPR	10K140	10K176	10K140	10K176	10K146	10K177	10K146	10K177	10K147	10K147
4	Silicon Carbide		Viton	10K99	10K178	10K99	10K178	10K100	10K179	10K100	10K179	10K101	10K101
6	High Temp Carbon		EPR	10K96	10K115	10K96	10K115	10K97	10K116	10K97	10K116	10K98	10K98

### NUMBER OF STAGES

F = 6    L = 11    R = 16    Z = 24  
B = 2    G = 7    M = 12    S = 17  
C = 3    H = 8    N = 13    T = 18  
D = 4    J = 9    P = 14    V = 20  
E = 5    K = 10    Q = 15    X = 22

### DRIVER

1 = 1PH, ODP    4 = 1 PH, TEFC    7 = 3 PH, XP    0 = 1 PH, XP  
2 = 3 PH, ODP    5 = 3 PH, TEFC    8 = 575 V, XP  
3 = 575 V, ODP    6 = 575 V, TEFC    9 = 3 PH, TEFC Premium Efficiency

### HP RATING

C = 1/2 HP    F = 1 1/2 HP    J = 5 HP    M = 15 HP  
D = 3/4 HP    G = 2 HP    K = 7 1/2 HP    N = 20 HP  
E = 1 HP    H = 3 HP    L = 10 HP    P = 25 HP

### HERTZ/RPM

1 = 60 HZ, 3450 RPM, 2 pole      5 = 60 HZ, 3500 RPM, 220-380V, D.O.L.  
2 = 60 HZ, 2900 RPM, 2 pole      6 = 60 HZ, 3500 RPM, 380V, V-Delta  
3 = 60 HZ, 3500 RPM, 380V      7 = 60 HZ, 1750 RPM, 208-230/460V  
4 = 50 HZ, 2900 RPM, 460V

### MATERIAL AND SUCTION/DISCHARGE

A = 304 Stainless Steel, in-line NPT threaded oval flange connections (1-3 SV only)  
B = 304 Stainless Steel, in-line ANSI flange  
C = 304 Stainless Steel, top/bottom ANSI flange connections  
D = 316 Stainless Steel, in-line ANSI flange

### PRODUCT LINE

Stainless Steel Vertical

### NOMINAL FLOW

1 = 15 GPM    3 = 55 GPM  
2 = 28 GPM    4 = 86 GPM

The various versions of the SSV line are identified by a product code number on the pump label. This number is also the catalog number for the pump. The meaning of each digit in the product code number is shown below.

**Note:** Not all combinations are possible. Consult your G&L distributor.

**EXAMPLE PRODUCT CODE**

33 SV B G 1 2 R 6 T A H

**Pump Options (optional):**

H = Horizontal mounting  
Q = 1.0 Service Factor Version (AQ)  
D = High Pressure Pump (> 25 bar)

**Seal Options:**

	Code No.	Rotary	Stationary	Elastomers	Part Number			
					33SV	46SV	66SV	92SV
Mechanical Seal	A	Silicon Carbide	Carbon	Viton	10L38			
	B			EPR	10L40			
	C		Silicon Carbide	Viton	10L39			
	D			EPR	10L37			
Cartridge Seal	L		Carbon	Viton	10K163			
	P		Silicon Carbide	EPR	10K166			

**Motor Enclosure:**

D = ODP  
X = Explosion Proof  
T = TEFC  
P = TEFC Premium Effy

**Motor Voltage:**

1 = 115/230  
5 = 575  
2 = 230 only  
6 = 208-230/460  
3 = 230/460  
7 = 200  
4 = 460 only  
8 = 190/380

**HP Rating:**

G = 2 HP  
H = 3 HP  
J = 5 HP  
K = 7½ HP  
L = 10 HP  
M = 15 HP  
N = 20 HP  
P = 25 HP  
Q = 30 HP  
R = 40 HP  
S = 50 HP  
T = 60 HP  
U = 75 HP

**Motor Hertz/Speed/Phase:**

1 = 60 Hz/3500/1  
5 = 50 Hz/2900/1  
9 = 60 Hz/Variable/3  
2 = 60 Hz/3500/3  
6 = 50 Hz/2900/3  
3 = 60 Hz/1750/1  
7 = 50 Hz/1450/1  
4 = 60 Hz/1750/3  
8 = 50 Hz/1450/3

**Number of Reduced Diameter Impellers (0, 1, 2)**

**Bowls/Stages:**

A = 1  
B = 2  
C = 3  
D = 4  
E = 5  
F = 6  
G = 7  
H = 8  
J = 9  
K = 10

**Flange Orientation:**

B = Cast Iron/316 stainless steel, in-line ANSI flange  
D = 316 stainless steel, in-line ANSI flange

**Product Line:**

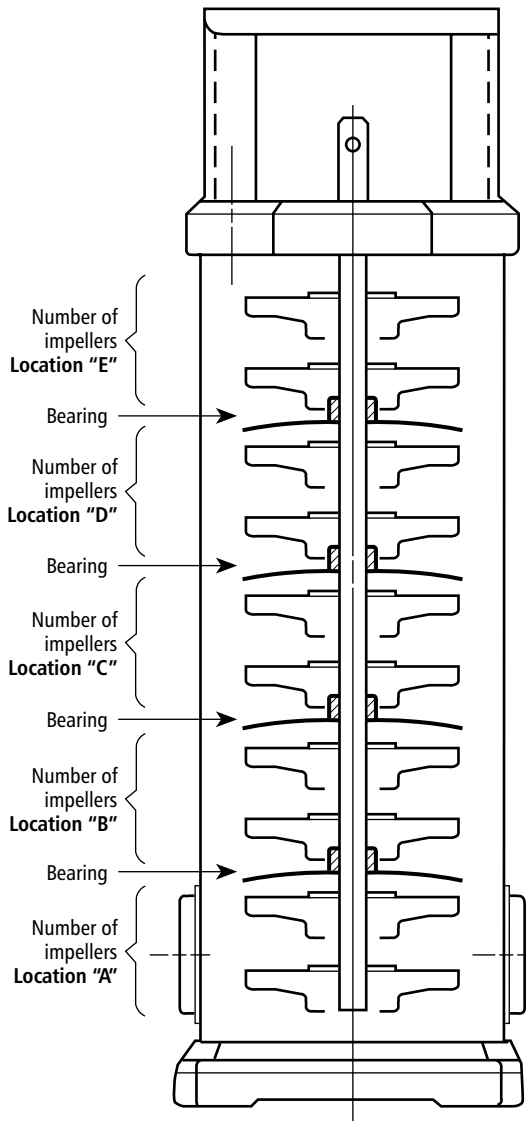
Stainless Vertical Multi-Stage

**Nominal Flow:**

33 = 150 GPM  
46 = 225 GPM  
66 = 350 GPM  
92 = 450 GPM

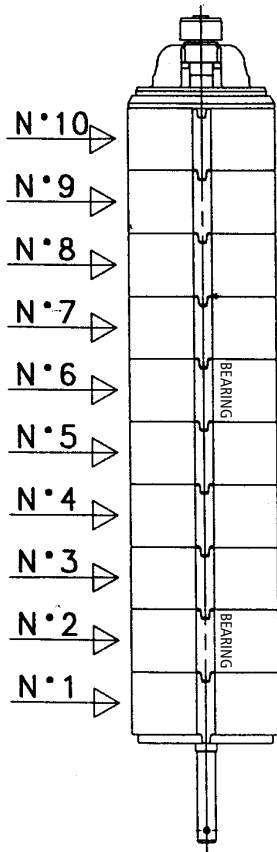
# 1 – 4SV IMPELLERS AND INTERMEDIATE BEARINGS LAYOUT

Number of Stages	Number of Bearings	1SV Number of Impellers in Location					Number of Bearings	2SV Number of Impellers in Location					Number of Bearings	3SV Number of Impellers in Location				Number of Bearings	4SV Number of Impellers in Location				
		A	B	C	D	E		A	B	C	D	E		A	B	C	D		A	B	C	D	
2	1	1	1				1	1	1				1	1	1				1	1	1		
3	1	1	2				1	1	2				1	1	2				1	1	1		
4	1	2	2				1	2	2				1	2	2				1	1	1		
5	1	2	3				1	2	3				1	2	3				1	1	1		
6	1	2	4				1	2	4				1	2	4				1	1	1		
7	1	2	5				1	2	5				1	2	5				1	1	1		
8	1	2	6				1	2	6				2	2	3	3			2	2	3	3	
9	2	2	4	3			2	2	4	3			2	2	4	3							
10													2	2	4	4			2	2	4	4	
11	2	2	5	4			2	2	5	4			2	2	5	4							
12	2	2	5	5									2	2	5	5			2	2	5	5	
13	2	2	6	5			2	2	6	5			3	2	3	4	4						
14	2	2	6	6			2	6	6	6			3	2	4	4	4		3	2	4	4	4
15	2	2	7	6			2	2	7	6								3	2	4	4	4	5
16	2	2	7	7			2	2	7	7			3	2	4	5	5						
18	3	2	5	6	5		3	2	5	6	5												
20	3	2	6	6	6		3	2	6	6	6												
22	4	7	5	5	5	5	4	2	5	5	5	5											
24	4	2	6	6	5	5	4	2	6	6	5	5											



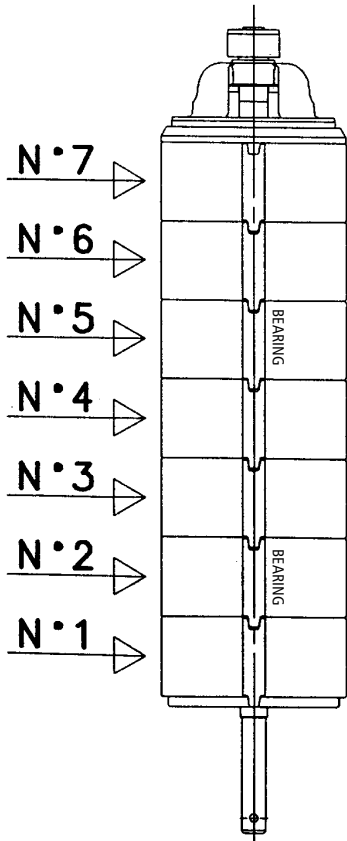
The chart on this page is used to locate the correct bearing position(s) on the impeller stack of the SSV series pumps. To use this chart:

1. Locate the number of stages in the left hand column of the above chart which corresponds to the pump you are working on.
2. Follow the selected row across to the pump size (1SV etc).
3. Under the "A" location, you will find the number of impellers on the bottom of the stack which come before the first bearing.
4. Under the "B" location, you will find the number of impellers which go above the first bearing and below the second bearing (if there is one).
5. Under the "C" location, you will find the number of impellers which go above the second bearing and below the third bearing (if there is one).
6. Under the "D" location, you will find the number of impellers which go above the third bearing.
6. Under the "E" location, you will find the number of impellers which go above the third bearing.



**SV 33 – 46**

Number of Stages	Bearing Position	Number of Diffuser with Bearing
1		
2		
3		
4		
5	N°2	1
6	N°2	
7	N°3	
8	N°4	
9	N°5	
10	N°2 and N°6	2



**SV 66 – 92**

Number of Stages	Bearing Position	Number of Diffuser with Bearing
1		
2		
3		
4	N°2	1
5	N°2	
6	N°3	

## COUPLING TABLE

Item No.	Pump Size			Number of Stages																						
				2	3	4	5	6	7	8	9	10	11	12	13	14	15	16	18	20	22	24				
118	1SV	60 Hz	TEFC	4L188									4L189													
			ODP									4L188														
		50 Hz	TEFC	4L188											4L188											
			ODP																							
	2SV	60 Hz	TEFC	4L188																						
			ODP																							
		50 Hz	TEFC	4L188																						
			ODP																							
	3SV	60 Hz	TEFC												4L193											
			ODP	4L190																						
		50 Hz	TEFC																							
			ODP																							
	4SV	60 Hz	TEFC																							
			ODP																							
		50 Hz	TEFC		4L191																					
			ODP																							
	5SV (obsolete)	60 Hz	TEFC																							
			ODP																							
		50 Hz	TEFC																							
			ODP																							
	6SV (obsolete)	60 Hz	TEFC																							
			ODP																							
		50 Hz	TEFC																							
			ODP																							

	56C	180TC	210TC	250TC	280TC	320TSC	360TSC
1SV	4L188	4L189					
2SV							
3SV	4L190	4L191	4L192	4L193			
4SV							
5SV			4L312	4L313	4L314		
6SV							
33SV							
46SV		4L553	4L554	4L555	4L556		
66SV							
92SV							

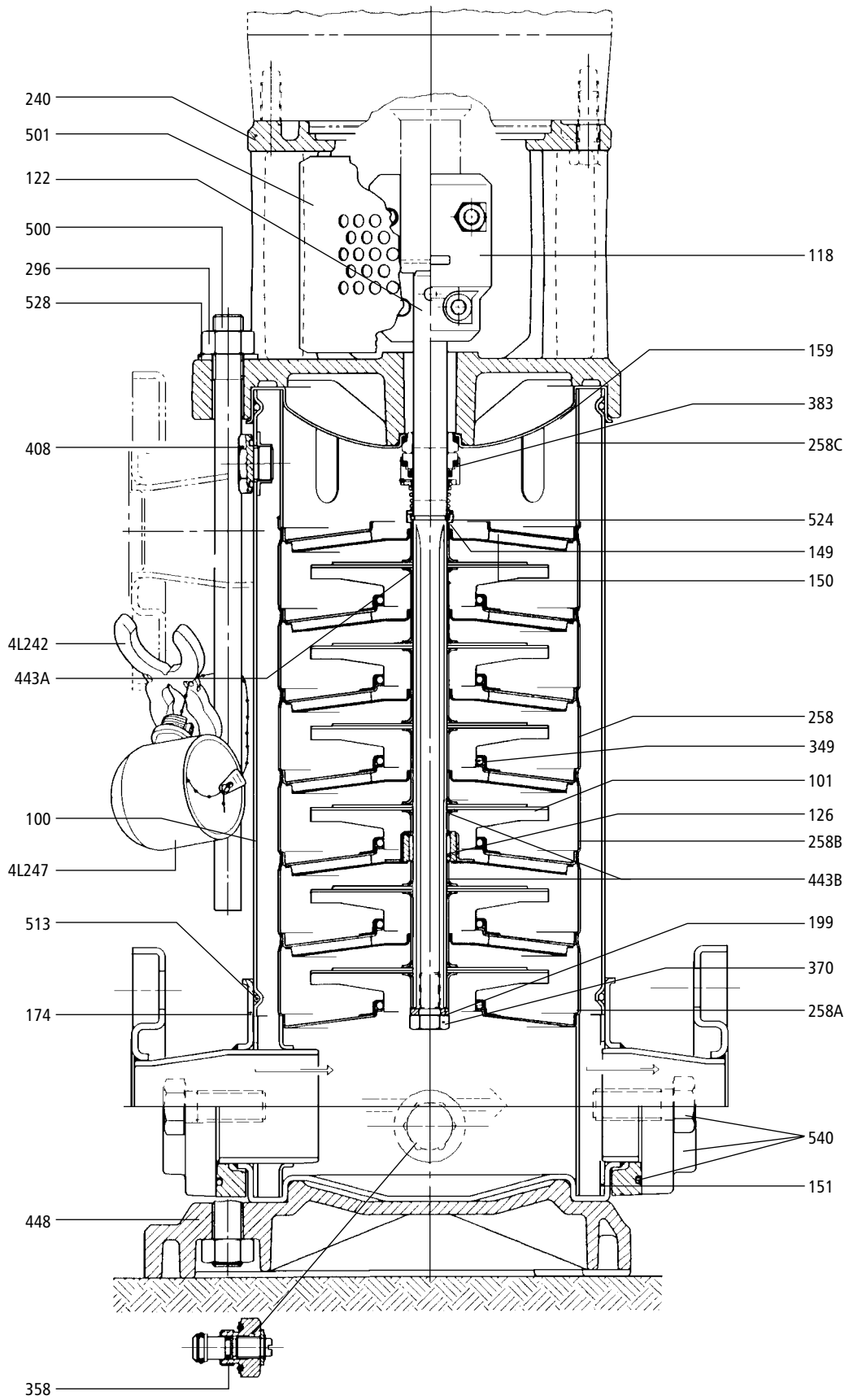
## COUPLING PIN SUPPLIED WITH COUPLING COMPLETE AND SHAFT ASSEMBLY

Size	Pin Repair Part Number
1SV	4L170
2SV	
3SV	4L171
4SV	
33SV	4L83
46SV	
66SV	
92SV	

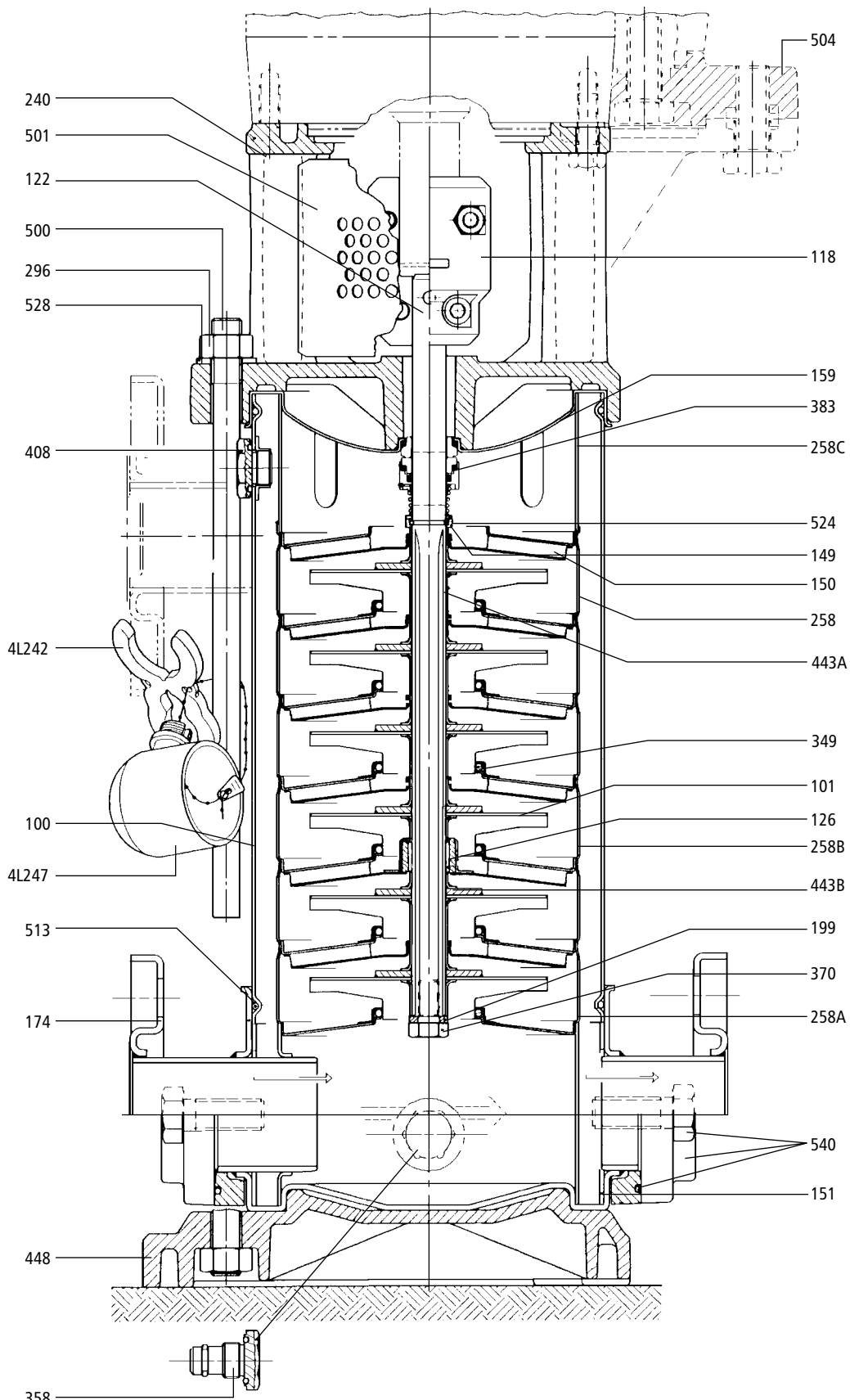
## COUPLING GUARD (COMPLETE WITH HARDWARE)

Pump	Motor Frame				
	56C	180TCH	180TC	210TC - 250TC	280TC
1SV	4L450				
2SV					
3SV	4L451		4L450	4L452	
4SV		4L451			
33-92SV	4L515				









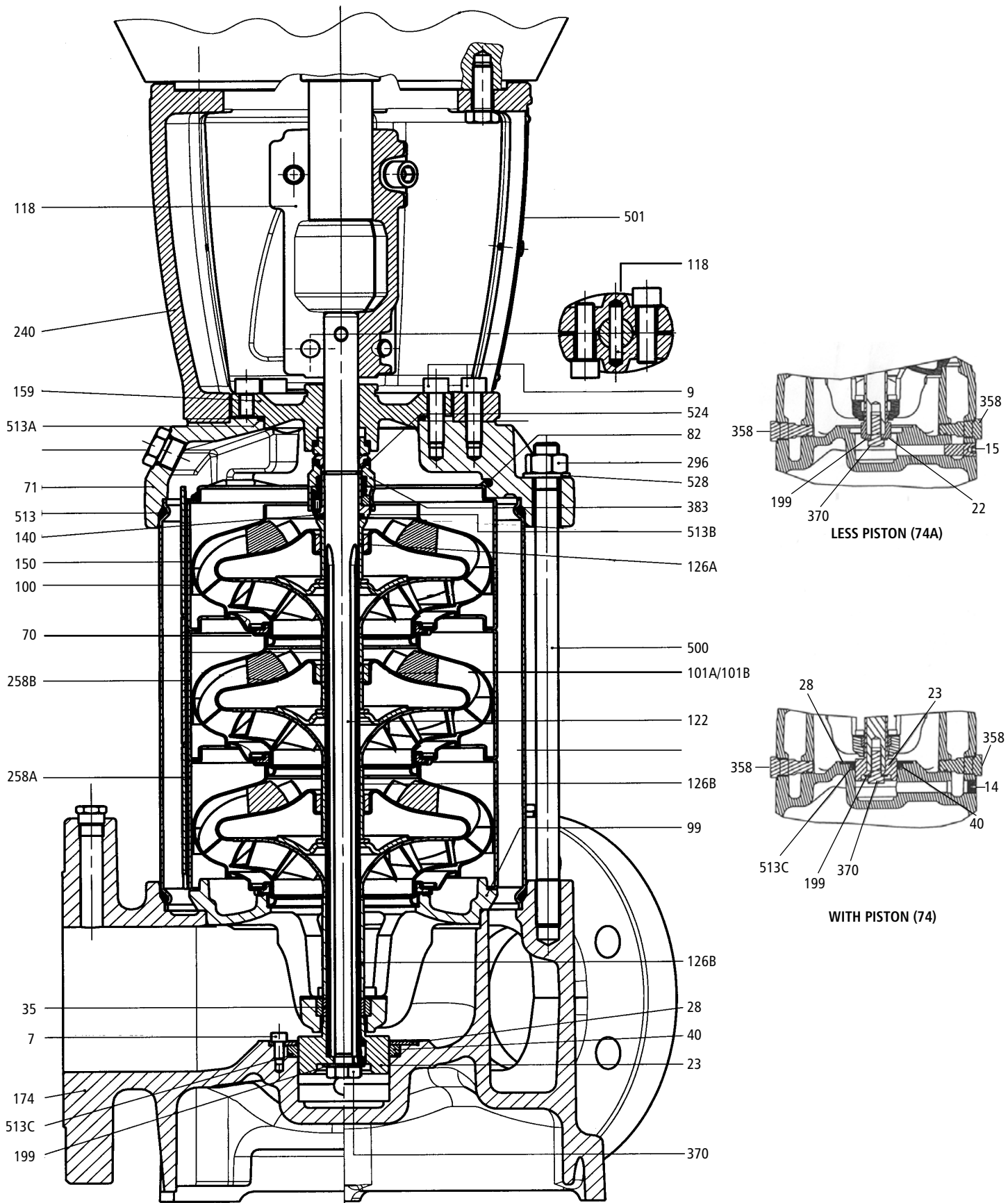
157 Stage spacer is not shown.  
Used on 6, 9 and 12 stage units.

**3SV AND 4SV**

Item No.	Part Name	Pump	Standard Staging - 50 Hz and 60 Hz (*50 Hz only)																Reverse Stack (60 Hz only)		
			Number of Stages																Number of Stages		
			3SV	2	3	4	5	6	7	8	9	10	11	12	13	14*	15*	16*	12	14	16
4SV	2	3	4	5	6	7	8	9	10	11	12*	13	14*	15*	16*	12	14	16			
240	Motor adapter		See motor adapter chart page 17																		
501	Coupling guard		See coupling guard chart page 7																		
122	Shaft assembly includes items 149, 199, 370, 524 and coupling pin	Type A <sup>2</sup>	4L254	4L255	4L256	4L257	4L258	4L258	4L259	4L260	4L260	4L261									
		Type B	4L254	4L255	4L256	4L257	4L258	4L258	4L259	4L260	4L260	4L261	4L262	4L262	4L439	4L442	4L442	4L262	4L439	4L440	
		Type C			4L256	4L257	4L258	4L258	4L259	4L260	4L260	4L261	4L262	4L262							
		Type D	4L263	4L264	4L265	4L266	4L267	4L267	4L268	4L269	4L269	4L270	4L271	4L271	4L441	4L442	4L442	4L271	4L441	4L442	
126	Shaft sleeve		4L181																		
100	Casing with fill plug	Type A <sup>2</sup>	1L391	1L392	1L393	1L394	1L395	1L395	1L396	1L397	1L397	1L398									
		Type B	1L391	1L392	1L393	1L394	1L395	1L395	1L396	1L397	1L398	1L399	1L399	1L515	1L518	1L518	1L399	1L515	1L518		
		Type C			1L409	1L410	1L411	1L411	1L412	1L413	1L413	1L414	1L415	1L415							
		Type D	1L400	1L401	1L402	1L403	1L404	1L404	1L405	1L406	1L406	1L407	1L408	1L408	1L517	1L518	1L518	1L408	1L517	1L518	
151	Casing spacer	Type A <sup>2</sup>	4L173																		
		Type B	4L173																		
		Type C	4L173																		
		Type D	4L251																		
513	O-ring casing		5L94 Viton 5L89 EPR																		
174	Pump body includes item 151	Type A <sup>2</sup>	1L339																		
		Type B	1L341																		
		Type C <sup>1</sup>	1L343																		
		Type D	1L389																		
		Victaulic	1L501																		
448	Base plate	Type A <sup>2</sup>	1L381																		
		Type B	1L382																		
		Type C	1L382																		
		Type D	1L382																		
		Victaulic	1L382																		
159	Seal housing	Type A <sup>2</sup>	1L378																		
		Type B	1L378																		
		Type C	1L378																		
		Type D	1L417																		
383	Mechanical seal with washer		See mechanical seal option table on page 3																		
524	Split ring		4L246																		
149	Split ring cover		4L244																		
258C	Final spacer	Type A <sup>2</sup>	4L175																		
		Type B	4L175																		
		Type C	4L175																		
		Type D	4L249																		
150	Final flange diffuser	Type A <sup>2</sup>	3L27				3L27				3L27				3L27						
		Type B	3L27				3L27				3L27				3L27						
		Type C	3L27				3L27				3L27				3L27						
		Type D	3L29				3L29				3L29				3L29						
	Final flange without diffuser	Type A <sup>2</sup>			4L200				4L200				4L200				4L200				
		Type B			4L200				4L200				4L200				4L200				
		Type C			4L200				4L200				4L200				4L200				
		Type D			4L355				4L355				4L355				4L355				
—	Spacer sleeve, blank stage	Type A <sup>2</sup>			4L252				4L252				4L252				4L252				
		Type B			4L252				4L252				4L252				4L252				
		Type C			4L252				4L252				4L252				4L252				
		Type D			4L252				4L252				4L252				4L252				
—	Initial spacer	Type A <sup>2</sup>																			
		Type B																			
		Type C																			
		Type D																			
258A	1st stage bowl with o-ring (Viton)	Type A <sup>2</sup>	7L355																		
		Type B	3SV = 7L355 4SV = 7L356																		
		Type C	3SV = 7L355 4SV = 7L356																		
		Type D	3SV = 7L364 4SV = 7L365																		
258B	Bowl with bearing and o-ring (Viton)	Type A <sup>2</sup>	7L352																		
		Type B	3SV = 7L352 4SV = 7L353																		
		Type C	3SV = 7L352 4SV = 7L353																		
		Type D	3SV = 7L361 4SV = 7L362																		
258	Bowl with o-ring (Viton)	Type A <sup>2</sup>	7L349																		
		Type B	3SV = 7L349 4SV = 7L350																		
		Type C	3SV = 7L349 4SV = 7L350																		
		Type D	3SV = 7L358 4SV = 7L359																		
349	O-ring (impeller)		3SV = 5L91 (Viton) 3SV = 5L84 (EPR) 4SV = 5L92 (Viton) 4SV = 5L85																		
101	Impeller		3SV = 2L180 4SV = 2L190																		
443A	Impeller spacer		4L178																		
443B	Impeller spacer (intermediate)		4L179																		
199	Impeller washer (spacer)		13L106																		
370	Impeller screw		13L96																		
500	Tie rod with nuts and washers		4L274	4L275	4L276	4L277	4L278	4L278	4L279	4L280	4L280	4L281	4L282	4L282	4L326	4L327	4L327	4L282	4L326	4L327	
296	Nut, tie rod		13L99																		
528	Washer, tie rod		13L101																		
540	Oval flange assembly (3SVA only)		4L187																		
118	Coupling assembly		See coupling assembly chart on page 5																		
408	Fill plug with o-ring		6L19 Viton 6L25 EPR																		
358	Drain plug with o-ring		6L18 Viton 6L24 EPR																		
—	Shim, coupling		4L242																		
—	Fill funnel		4L247																		

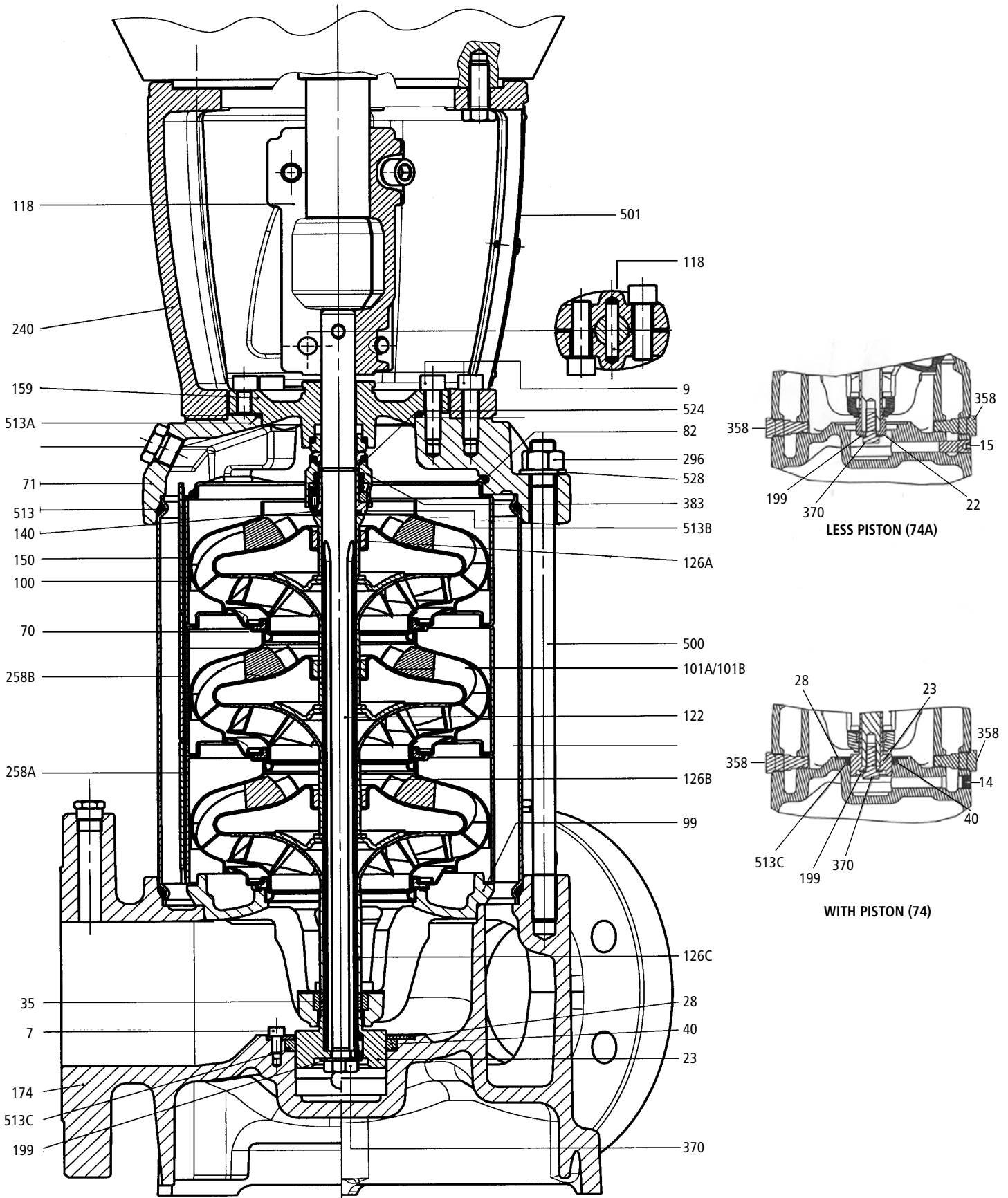
NOTE: Stages 18-24 are available in 50 Hz and reverse stack orientation for 60 Hz applications.

<sup>1</sup>Suction body only. <sup>2</sup>For use with 3SV only.



### 33SV AND 46SV

Item No.	Part Name	Material	33SV										46SV																																																										
			Number of Stages																																																																				
			1	2	3	4	5	6	7	8	9	10	1	2	3	4	5	6	7	8	9	10																																																	
174	Pump body	Class 125	Cast iron	1L640										1L640																																																									
		Class 150	SS	1L634										1L636																																																									
		Class 250	Cast iron	1L641										1L643																																																									
		Class 300	SS	1L635										1L637																																																									
71	Pump head	Cast iron	1L632										1L630																																																										
		SS	1L630										1L630																																																										
	O-ring, kit – EPDM		5K374										5K375																																																										
513A	O-ring, seal hsg.	EPDM	5K367										5K367																																																										
513B	O-ring, mech. seal sleeve		5K365										5K365																																																										
513	O-ring, casing		5L46 (qty. 2)										5L46 (qty. 2)																																																										
513C	O-ring, piston		5K248										5K361																																																										
	O-ring, kit – Viton		5K376										5K377																																																										
513A	O-ring, seal hsg.	Viton	5K368										5K368																																																										
513B	O-ring, mech. seal sleeve		5K366										5K366																																																										
513	O-ring, casing		5L42 (qty. 2)										5L42 (qty. 2)																																																										
513C	O-ring, piston		5L90										5K362																																																										
159	Seal housing	Cast iron	1L629										1L629																																																										
		SS	1L628										1L628																																																										
383	Mechanical seal		See optional seal table on page 4																																																																				
	Screw, seal housing	Zinc plated	13L127 (qty. 4)										13L127 (qty. 4)																																																										
	Plug, vent with o-ring	EPDM	6L49										6L49																																																										
		Viton	6L53										6L53																																																										
	Plug, fill with o-ring	EPDM	6L48										6L48																																																										
		Viton	6L52										6L52																																																										
358	Plug, drain with o-ring	EPDM	6L50 (qty. 2)										6L50 (qty. 2)																																																										
		Viton	6L54 (qty. 2)										6L54 (qty. 2)																																																										
370	Bolt, impeller	316SS	13L109										13L109																																																										
199	Washer, impeller	316SS	13L129										13L129																																																										
126A	Spacer, final	316SS	4L509										4L509																																																										
126B	Spacer, impeller	316SS	4L511										4L511																																																										
140	Sleeve, mechanical seal shaft	316SS	4L531										4L531																																																										
524	Stop ring, impeller	316SS	4L550										4L550																																																										
82	Spring, diffuser	316SS	4L551										4L551																																																										
150	Diffuser, final stage	316LSS	3L42										3L42																																																										
258A	Diffuser, carbon bearing	316LSS	3L44										3L45																																																										
	Diffuser, tungsten carbide	316LSS	3L48										3L49																																																										
258B	Spacer, shaft bushing	316SS	4L510 (qty. 2)										4L510 (qty. 2)																																																										
	Bearing	Tung. carb.	4L514										4L514																																																										
70	Wear ring, impeller/diffuser (qty. 5)	316LSS / PPS	15L47										15L48																																																										
99	Lower bracket assembly	Cast iron	15L39										15L40																																																										
		SS	15L35										15L36																																																										
74	Thrust piston assembly		15K51										15K52																																																										
	23 – piston	Duplex SS	4L494										4L495																																																										
	40 – Piston seal	Impregnated carbon	4L547										4L548																																																										
	28 – Retaining plate	316SS	4L506										4L507																																																										
	513C – O-ring viton, piston	Viton	5L90										5K362																																																										
	513C – O-ring EPDM, piston	EPDM	5K248										5K361																																																										
	14 – Plug	316SS	6L47										6L47																																																										
	7 – Hex cap screws	316SS	13L114 (qty. 3)										13L114 (qty. 3)																																																										
74A	Non-piston assembly		4L514										4L514																																																										
	22 – Bushing, impeller	316SS	15K54										15K54																																																										
	15 – Plug	316SS	4L513										4L513																																																										
	35 – Bearing	Tung. carb.	6L51										6L51																																																										
101A	Impeller, full diameter	316LSS	2L899										2L900																																																										
101B	Impeller, reduced diameter	316LSS	2L903										2L904																																																										
122	Shaft assembly	Duplex SS	4L516	4L517	4L518	4L519	4L520	4L521	4L522	4L523	4L524	4L525	4L526	4L527	4L528	4L529	4L530	4L531	4L532	4L533	4L534	4L535	4L536	4L537	4L538	4L539	4L540	4L541	4L542	4L543	4L544	4L545	4L546	4L547	4L548	4L549	4L550	4L551	4L552	4L553	4L554	4L555	4L556	4L557	4L558	4L559	4L560	4L561	4L562	4L563	4L564	4L565	4L566																		
100	Casing (25 bar max)	316LSS	4L532	4L533	4L534	4L535	4L536	4L537	4L538	4L539	4L540	4L541	4L542	4L543	4L544	4L545	4L546	4L547	4L548	4L549	4L550	4L551	4L552	4L553	4L554	4L555	4L556	4L557	4L558	4L559	4L560	4L561	4L562	4L563	4L564	4L565	4L566	4L567	4L568	4L569	4L570	4L571	4L572	4L573	4L574	4L575	4L576	4L577	4L578	4L579	4L580	4L581	4L582	4L583	4L584	4L585	4L586	4L587	4L588	4L589	4L590	4L591	4L592	4L593	4L594	4L595	4L596	4L597	4L598	4L599	4L600
	Casing (40 bar max)	316LSS	4L497	4L498	4L499	4L500	4L501	4L502	4L503	4L504	4L505	4L506	4L507	4L508	4L509	4L510	4L511	4L512	4L513	4L514	4L515	4L516	4L517	4L518	4L519	4L520	4L521	4L522	4L523	4L524	4L525	4L526	4L527	4L528	4L529	4L530	4L531	4L532	4L533	4L534	4L535	4L536	4L537	4L538	4L539	4L540	4L541	4L542	4L543	4L544	4L545	4L546	4L547	4L548	4L549	4L550	4L551	4L552	4L553	4L554	4L555	4L556	4L557	4L558	4L559	4L560					
500	Tie-rods – qty. 4 with hardware	Zinc plated	4L557	4L558	4L559	4L560	4L561	4L562	4L563	4L564	4L565	4L566	4L567	4L568	4L569	4L570	4L571	4L572	4L573	4L574	4L575	4L576	4L577	4L578	4L579	4L580	4L581	4L582	4L583	4L584	4L585	4L586	4L587	4L588	4L589	4L590	4L591	4L592	4L593	4L594	4L595	4L596	4L597	4L598	4L599	4L600																									
528	Washer, tie-rod	Zinc plated	13K307 (qty. 4)										13K307 (qty. 4)																																																										
296	Hex nut, tie-rod	Zinc plated	13K366 (qty. 4)										13K366 (qty. 4)																																																										
118	Coupling assembly with pin, shim fork and hardware	180TC	Cast iron	4L553										4L553																																																									
		210TC		4L554										4L554																																																									
		250TC		4L555										4L555																																																									
		280TC – 360TSC		4L556										4L556																																																									
501	Guard, coupling assembly	304SS	4L515										4L515																																																										
240	Motor adapter	180TC – 360TSC	Cast iron	1L649										1L649																																																									
—	Adapter plate, motor (not shown)	180TC	Cast iron	1L646										1L646																																																									
		320TSC		1L647										1L647																																																									
		360TSC		1L648										1L648																																																									
—	Hex cap screw, motor	180TC – 250TC	Zinc plated	13K103 (qty. 4)										13K103 (qty. 4)																																																									
		280TC		13K44 (qty. 4) or 13K245 (qty. 4)										13K44 (qty. 4) or 13K245 (qty. 4)																																																									
		320TSC		13K44 (qty. 4) or 13K247 (qty. 4)										13K44 (qty. 4) or 13K247 (qty. 4)																																																									
		360TSC		13K44 (qty. 4) or 13K247 (qty. 8)										13K44 (qty. 4) or 13K247 (qty. 8)																																																									
9	Hex cap screw, M.A.	Zinc plated	13L127 (qty. 4)										13L127 (qty. 4)																																																										
—	Shim fork	Plastic	4L242										4L242																																																										





**66SV AND 92SV**

Item No.	Part Name	Material	66SV						92SV					
			Number of Stages						Number of Stages					
			1	2	3	4	5	6	1	2	3	4	5	6
174	Pump body	Class 125	Cast iron						11644					
		Class 150	SS						11638					
		Class 250	Cast iron						11645					
		Class 300	SS						11639					
71	Pump head	Cast iron						11633						
		SS						11631						
513A	O-ring, kit – EPDM	EPDM							5K378					
	– O-ring, seal housing								5K367					
513B	– O-ring, mech. seal sleeve								5K365					
513	– O-ring, casing								5L47 (qty. 2)					
513C	– O-ring, piston								5K363					
	O-ring, kit – Viton	Viton							5K379					
513A	– O-ring, seal housing								5K368					
513B	– O-ring, mech. seal sleeve								5K366					
513	– O-ring, casing								5L43 (qty. 2)					
513C	– O-ring, piston								5K364					
159	Seal housing	Cast iron							11629					
		SS							11628					
383	Mechanical seal options	See optional seal table on page 4												
–	Screw, seal housing	Zinc plated							13L127 (qty. 4)					
	Plug, vent w/o-ring	EPDM							6L49					
		Viton							6L53					
	Plug, fill w/o-ring	EPDM							6L48					
		Viton							6L52					
358	Plug, drain w/o-ring	EPDM							6L50 (qty. 2)					
		Viton							6L54 (qty. 2)					
370	Bolt, impeller	316SS							13L109					
199	Washer, impeller	316SS							13L129					
126A	Spacer, final	316SS							4L509					
126B	Spacer, impeller	316SS							4L511					
126C	Spacer, impeller	316SS							4L512					
140	Sleeve, mech. seal shaft	316SS							4L531					
524	Stop ring, impeller	316SS							4L550					
82	Spring, diffuser	316SS							4L552					
150	Diffuser, final stage	316LSS							3L43					
258A	Diffuser, carbon bearing	316LSS	3L46									3L47		
	Diffuser, tungsten carbide	316LSS	3L50									3L51		
258B	Spacer, shaft bushing	316SS							4L510 (qty. 2)					
	Bearing	Tung. carb.							4L514					
70	Wear ring, Impeller/Diffuser (qty. 5)	316LSS / PPS	15L49									15L50		
99	Lower bracket assembly	Cast iron	15L41									15L42		
		SS	15L37									15L38		
74	Thrust piston assembly								15K53					
	23 – Piston	Duplex SS							4L496					
	40 – Piston seal	Impregnated carbon							4L549					
	28 – Retaining plate	316SS							4L508					
	513C – O-ring viton, piston	Viton							5K364					
	513C – O-ring EPDM, piston	EPDM							5K363					
	14 – Plug	316SS							6L47					
	7 – Hex cap screws	316SS							13L114 (qty. 3)					
74A	35 – Bearing	Tung. carb.							4L514					
	Non-piston assembly								15K54					
	22 – Bushing, impeller stack	316SS							4L513					
	15 – Plug	316SS							6L51					
	35 – Bearing	Tung. Carb.							4L514					
101A	Impeller, full diameter	316LSS	2L901						2L902					
101B	Impeller, reduced diameter	316LSS	2L905						2L906					
122	Shaft assembly	Duplex SS	4L525	4L526	4L527	4L528	4L529	4L530	4L525	4L526	4L527	4L528	4L529	4L530
100	Casing (25 bar max)	316LSS	4L541	4L542	4L543	4L544	4L545	4L546	4L541	4L542	4L543	4L544	4L545	4L546
	Casing (40 bar max)	316LSS	4L585	4L586	4L587	4L580	4L481	4L582	4L585	4L586	4L587	4L580	4L581	4L582
500	Tie-rods – qty. 4 with hardware	Zinc plated	4L570	4L571	4L572	4L573	4L562	4L574	4L570	4L571	4L572	4L573	4L562	4L574
528	Washer, tie-rod	Zinc plated							13K307 (qty. 4)					
296	Hex nut, tie-rod	Zinc plated							13K366 (qty. 4)					
118	Coupling assembly with pin, shim fork and hardware	180TC							4L553					
		210TC							4L554					
		250TC							4L555					
		280TC – 360TSC							4L556					
501	Guard, coupling assembly	304SS							4L515					
240	Motor adapter	180TC – 360TSC							11649					
–	Adapter plate (not shown)	280TC							11646					
		320TSC							11647					
		360TSC							11648					
–	Hex cap screw, motor	180TC – 250TC							13K103 (qty. 4)					
		280TC							13K44 (qty. 4) or 13K245 (qty. 4)					
		320TSC							13K44 (qty. 4) or 13K247 (qty. 4)					
		360TSC							13K44 (qty. 4) or 13K247 (qty. 4)					
9	Hex cap screw, motor adapter	Zinc plated							13L127 (qty. 4)					
–	Shim fork	Plastic							4L242					



## OPTIONAL VICTAULIC MATING COMPONENTS

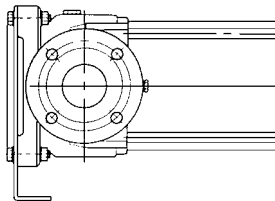
Size	Victaulic Coupling	Victaulic Threaded Coupling
1SV	4L194	4L196
2SV		
3SV	4L195	4L197
4SV		

## REPLACEMENT O-RING FOR OVAL FLANGE ASSEMBLY

Size	O-Ring Repair Part Number
1SV	5L107
2SV	
3SV	5L108

## OPTIONAL HORIZONTAL MOUNTING FOOT

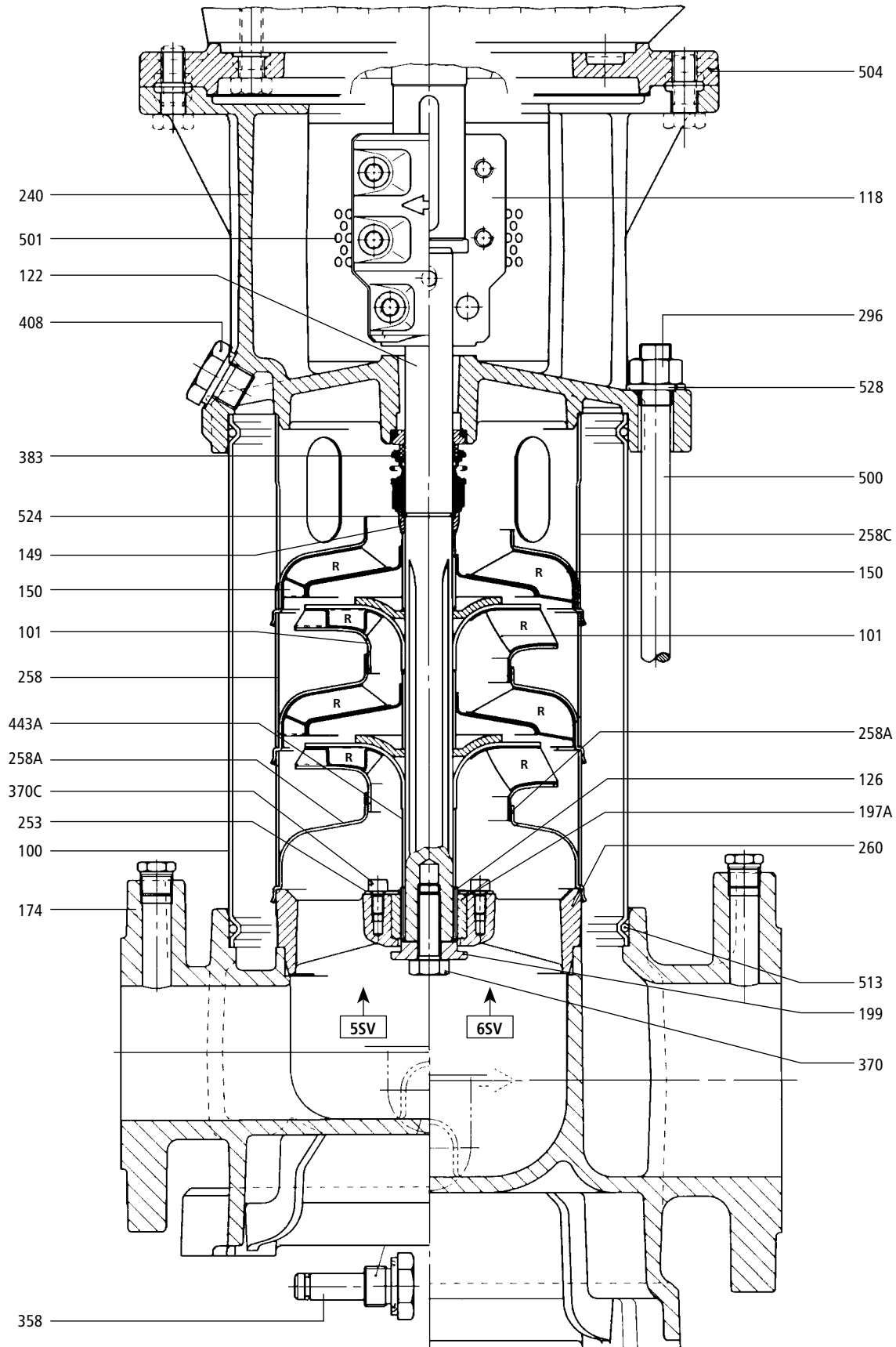
Size	Suction Flange Location	Pump Mounting Bracket	Shim Required determined by Motor Frame Size						
			56C	180TC	210TC	250TC	280TC	320TSC	360TSC
1SV	Horizontal	9L92	13K249 (qty. 4)	No Shim Required					
	Vertical	9L93							
2SV	Horizontal	9L92							
	Vertical	9L93							
3SV	Horizontal	9L90	13K249 (qty. 4) 13K346 (qty. 4)	13K346 (qty. 4)	13K249 (qty. 4)	No Shim Required			
	Vertical	9L91							
4SV	Horizontal	9L90							
	Vertical	9L91							
33SV	Horizontal	9K442		9K440 (qty. 2)	9K441 (qty. 2)	13K249 (qty. 8)	13K249 (qty. 4)	No Shim Required	
46SV		9K443							
66SV									
92SV									
5SV (OBSOLETE)									9L91
6SV (OBSOLETE)									



## MOTOR ADAPTER AND ADAPTER RINGS TABLE

PUMP	ODP-TEFC	ODP-TEFC	ODP-TEFC	ODP	ODP	TEFC	ODP	TEFC	ODP	TEFC	TEFC	ODP	TEFC	ODP	TEFC	ODP	
	56C	184TCH	184TC	213TC	215TC		254TC		256TC		284TC						286TC
	HP 0.5 to 3	HP 5 to 7.5	HP 5 to 7.5	HP 10	HP 15	HP 10	HP 20	HP 15	HP 25	HP 20	HP 25	HP 30	HP 30	HP 40	HP 40	HP 50	
1SV	Motor Adapter 1L383		Motor Adapter 1K327														
2SV																	
3SV	Motor Adapter 1L384		Motor Adapter 1K328	Adapter Flange 1L386													
4SV				Motor Adapter 1L385													
5SV (Obsolete)				Adapter Flange 1L386						Adapter Flange 1L439							
6SV (Obsolete)				Motor Adapter Iron = 1L437 Stainless = 1L438			Horizontal Mounted Iron = 1L525 Stainless = 1L526			Motor Adapter Iron = 1L437 Stainless = 1L438			Horizontal Mounted Iron = 1L525 Stainless = 1L526				

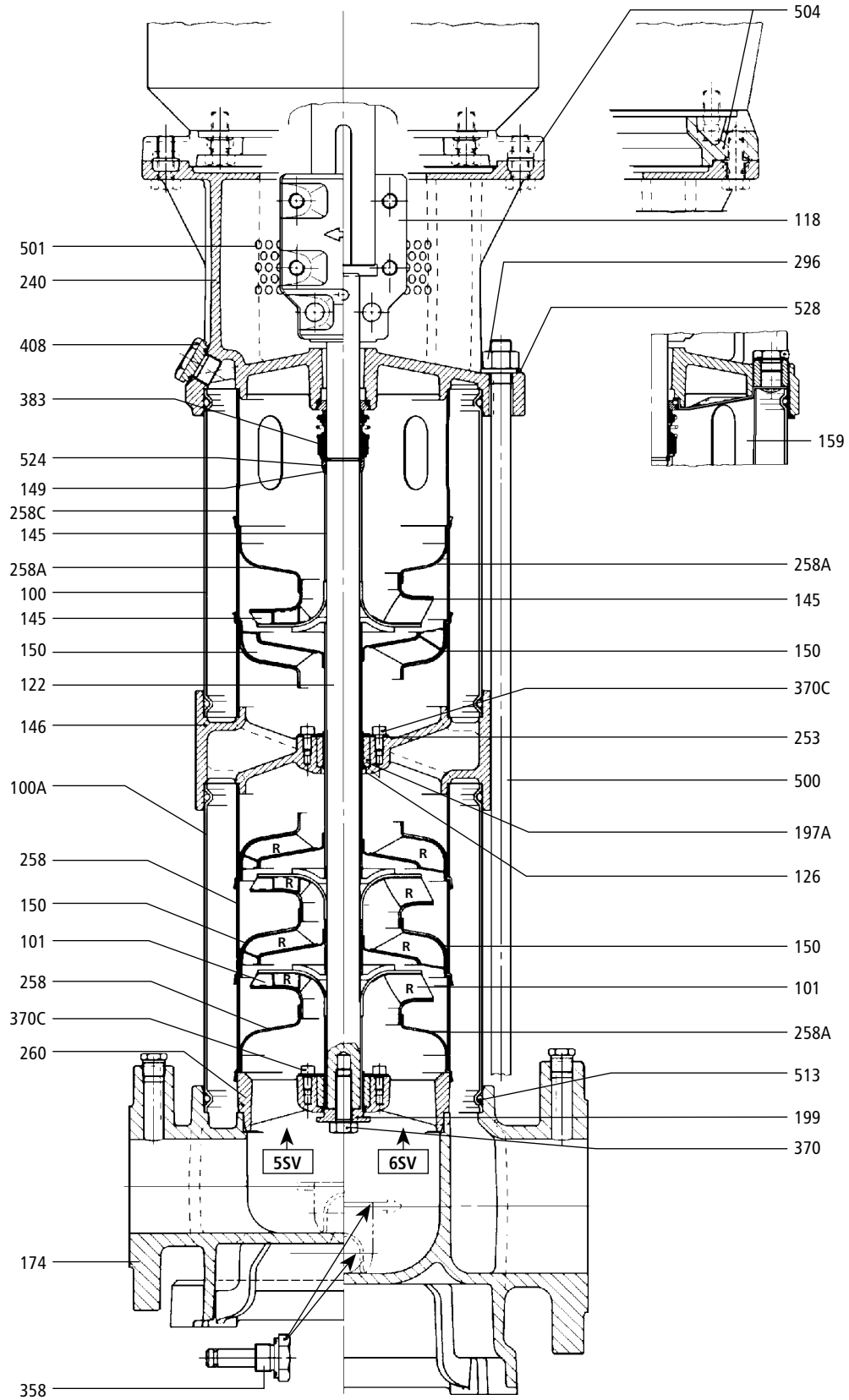
Pump	180TC	210TC	250TC	280TC	320TSC	360TSC
	HP 5 to 7.5	HP 7.5 to 15	HP 15 to 25	HP 25 to 40	HP 50 to 60	HP 60 to 75
33SV	Motor Adapter 1L649			Motor Adapter 1L649 Adapter fig. 1L646	Motor Adapter 1L649 Adapter fig. 1L647	Motor Adapter 1L649 Adapter fig. 1L648
46SV						
66SV						
92SV						



159 Seal Housing Type D is not shown.

**5SV AND 6SV WITHOUT CROSSOVER**

Item No.	Part Name	Number of Stages			
		2	3	4	
240	Motor adapter	See motor adapter chart page 17			
504	Adapting flange (motor mounting)				
501	Coupling guard - old snap in	4L289			
	Coupling guard - new with screws	4L453			
122	Shaft assembly includes items 149, 199, 370, 524 and coupling pin	Type B	4L290	4L291	4L292
		Type C	4L297	4L298	4L299
126	Shaft sleeve	4L287			
100	Casing upper	Type B	1L424	1L425	1L426
		Type D	1L430	1L431	1L432
513	O-ring casing	5L42 Viton	5L95 EPR		
174	Pump body	5SV Type B	1L418		1L419
		5SV Type D	1L421		
		6SV Type B	1L420		
		6SV Type D	1L423		
197A	Bushing	7L366			
253	Bearing retainer	4L319			
370C	Bearing fixing screw	13L65			
260	Lower support	Type B	4L318		
		Type D	4L317		
159	Seal housing (Type D only)	1L436			
383	Mechanical seal with washer	See optional seal table on page 1			
524	Split ring	4L311			
149	Split ring cover	4L288			
258	Final spacer	4L285			
258	Stage spacer	4L286			
150	Right hand diffuser	5SV	3L30		
		6SV	3L31		
258A	1st stage bowl	5SV	7L367		
		6SV	7L368		
101	Impeller right hand	5SV	2L240		
		6SV	2L260		
443A	Impeller spacer	4L284			
199	Impeller fixing washer	13L112			
370	Impeller fixing screw	13L109			
500	Tie rod with nuts and washer	4L304	4L305	4L306	
296	Nut tie rod	13L110			
528	Washer tie rod	13L111			
118	Coupling complete	See coupling chart on page 3			
408	Fill plug with o-ring	Type B	6L22 Viton	6L28 EPR	
		Type D	6L19 Viton	6L25 EPR	
358	Drain plug with o-ring	Type B	6L21 Viton	6L27 EPR	
		Type D	6L21 Viton	6L27 EPR	
—	Motor assembly shim	4L242			
—	Filling funnel	4L247			



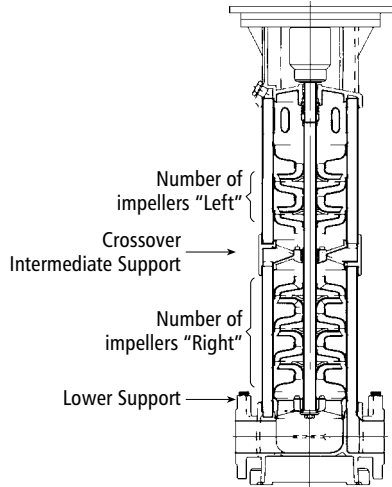
## 5SV AND 6SV WITH CROSSOVER

Item No.	Part Name	Number of Stages									
		5	6	7	8	9	10	11	12		
240	Motor adapter	See motor adapter chart page 17									
504	Adapting flange (motor mounting)										
501	Coupling guard - old snap in	4L289									
	Coupling guard - new with screws	4L453									
122	Shaft assembly includes items 149, 199, 370, 524 and coupling pin	Type B	4L293	4L294	4L295	4L296	4L345	4L346	4L347	4L348	
		Type D	4L300	4L301	4L302	4L303	4L349	4L350	4L351	4L352	
126	Shaft sleeve	4L287									
100	Casing upper	Type B	1L427	1L427	1L428	1L428	1L429	1L429	1L521	1L521	
		Type D	1L433	1L433	1L434	1L434	1L435	1L435	1L523	1L523	
	Casing lower	Type B	1L427	1L428	1L428	1L429	1L429	1L521	1L521	1L522	
		Type D	1L433	1L434	1L434	1L435	1L435	1L523	1L523	1L524	
146	Intermediate support	Type B	4L315								
		Type D	4L316								
513	O-ring casing	5L42 Viton		5L95 EPR							
174	Pump body	5SV Type B	1L419								
		5SV Type D	1L422								
		6SV Type B	1L420	1L419							
		6SV Type D	1L423	1L422							
197A	Bushing	7L366									
253	Bearing retainer	4L319									
370C	Bearing fixing screw	13L65									
260	Lower support	Type B	4L318								
		Type D	4L317								
159	Seal housing (Type D only)	1L436									
383	Mechanical seal with washer	See optional seal table on page 1									
524	Split ring	4L311									
149	Split ring cover	4L288									
258	Final spacer	4L285									
258	Stage spacer	4L286									
150	Right hand diffuser	5SV	3L30								
		6SV	3L31								
	Left hand diffuser	5SV	3L32								
		6SV	3L33								
258A	1st stage bowl	5SV	7L367								
		6SV	7L368								
101	Impeller right hand	5SV	2L240								
		6SV	2L260								
145	Impeller left hand	5SV	2L250								
		6SV	2L270								
443A	Impeller spacer	4L284									
199	Impeller fixing washer	13L112									
370	Impeller fixing screw	13L109									
500	Tie rod with nuts and washer	4L307	4L308	4L309	4L310	4L328	4L329	4L330	4L331		
296	Nut tie rod	13L110									
528	Washer tie rod	13L111									
118	coupling complete	See coupling chart on page 3									
408	Fill plug with o-ring	Type B	6L22 Viton	6L28 EPR							
		Type D	6L19 Viton	6L25 EPR							
358	Drain plug with o-ring	Type B	6L21 Viton	6L27 EPR							
		Type D	6L21 Viton	6L27 EPR							
—	Motor assembly shim	4L242									
—	Filling funnel	4L247									

NOTE: Stages 9-12 are available in 5SV 50 Hz only.

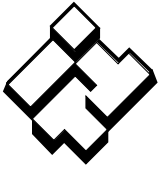
**5SV AND 6SV WITH CROSSOVER**

Number of Stages	Number of Impellers	
	Above Crossover (Left Hand)	Below Crossover (Right Hand)
5	2	3
6	2	4
7	3	4
8	3	5
9	4	5
10	4	6
11	5	6
12	5	7









**ITT**

**Commercial Water**



Goulds Pumps, G&L and the ITT Engineered Blocks Symbol are registered trademarks and tradenames of ITT Industries Inc.

SPECIFICATIONS ARE SUBJECT TO CHANGE WITHOUT NOTICE.

**RSSV January, 2006**

© 2006 ITT Water Technology, Inc.

*Engineered for life*



## Artisan Technology Group is your source for quality new and certified-used/pre-owned equipment

- FAST SHIPPING AND DELIVERY
- TENS OF THOUSANDS OF IN-STOCK ITEMS
- EQUIPMENT DEMOS
- HUNDREDS OF MANUFACTURERS SUPPORTED
- LEASING/MONTHLY RENTALS
- ITAR CERTIFIED SECURE ASSET SOLUTIONS

### SERVICE CENTER REPAIRS

Experienced engineers and technicians on staff at our full-service, in-house repair center

### *InstraView*<sup>SM</sup> REMOTE INSPECTION

Remotely inspect equipment before purchasing with our interactive website at [www.instraview.com](http://www.instraview.com) ↗

### WE BUY USED EQUIPMENT

Sell your excess, underutilized, and idle used equipment. We also offer credit for buy-backs and trade-ins. [www.artisanng.com/WeBuyEquipment](http://www.artisanng.com/WeBuyEquipment) ↗

### LOOKING FOR MORE INFORMATION?

Visit us on the web at [www.artisanng.com](http://www.artisanng.com) ↗ for more information on price quotations, drivers, technical specifications, manuals, and documentation

**Contact us:** (888) 88-SOURCE | [sales@artisanng.com](mailto:sales@artisanng.com) | [www.artisanng.com](http://www.artisanng.com)