



Artisan Scientific

QUALITY INSTRUMENTATION ... GUARANTEED

Looking for more information?

Visit us on the web at <http://www.artisan-scientific.com> for more information:

- Price Quotations
- Drivers
- Technical Specifications, Manuals and Documentation

Artisan Scientific is Your Source for Quality New and Certified-Used/Pre-owned Equipment

- Tens of Thousands of In-Stock Items
- Hundreds of Manufacturers Supported
- Fast Shipping and Delivery
- Leasing / Monthly Rentals
- Equipment Demos
- Consignment

Service Center Repairs

Experienced Engineers and Technicians on staff in our State-of-the-art Full-Service In-House Service Center Facility

InstraView™ Remote Inspection

Remotely inspect equipment before purchasing with our Innovative InstraView™ website at <http://www.instraview.com>

We buy used equipment! We also offer credit for Buy-Backs and Trade-Ins

Sell your excess, underutilized, and idle used equipment. Contact one of our Customer Service Representatives today!

Talk to a live person: 888-88-SOURCE (888-887-6872) | Contact us by email: sales@artisan-scientific.com | Visit our website: <http://www.artisan-scientific.com>

B551-001 / 115 VAC Input Module DATA SHEET

The Gould B551-001, 115 VAC Input Module consists of four independent and isolated input circuits.

FEATURES

- Four independent 115 VAC input circuits per module
- Circuits optically isolated from logic
- Input status indicators
- Transient protection
- Remove and replace while under power
- Remove and replace without disturbing field wiring
- May be mounted in full length, 8 module housing (B545) or half-high, 4 module housing (B546)
- UL listed and CSA certified
- Operates at 0 to 60°C
- Operates from 0 to 95% relative humidity (non-condensing)



GENERAL DESCRIPTION

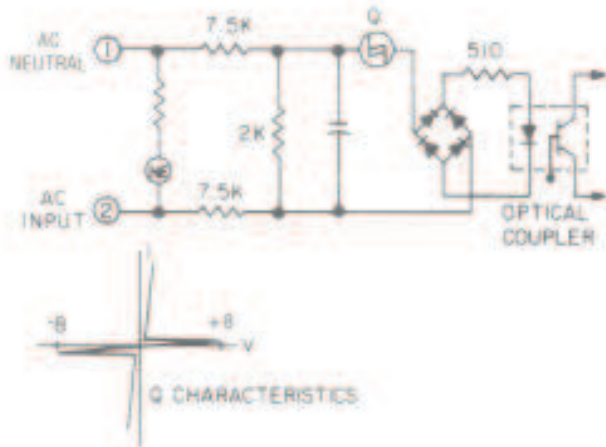
The Gould B551-001, 115 VAC Input Module converts four independent 115 VAC inputs into usable signals for the 184/384, 484, or 584 Controller. When using the 484 Controller, the 500 series modules are attached directly; an interface assembly (J540) is required with the 184/384 and 584 Controllers.

The B551 Input Module conditions signals from user equipment converting them into logic voltage levels used by the controller's processor. An input voltage of 80 to 130 VAC represents an ON condition. Each input is provided with a status indicator which is energized when the input is ON. The indicator devices are connected to the circuit's field side.

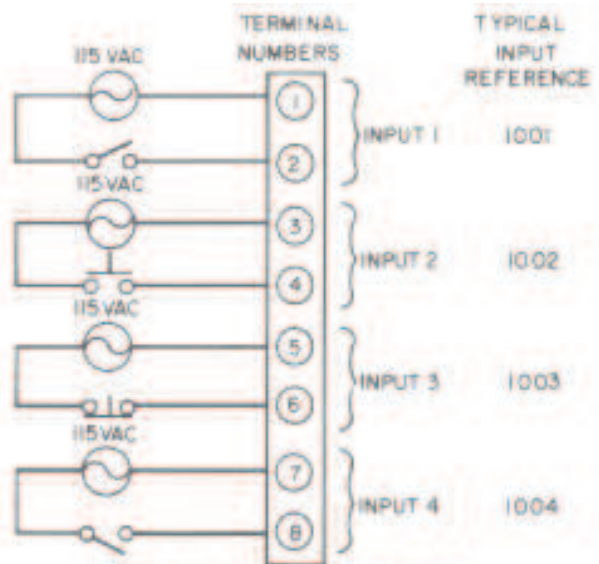
All inputs are fully isolated from the controller's logic by optical couplers. This

enables the controller to withstand the severe voltage transients normally encountered in industrial environments. Any damage or adverse effect to the controller is virtually eliminated. Each input also draws sufficient "wetting" current to inhibit the build-up of contaminants on the surface of silver contacts used on pushbuttons, limit switches, pressure switches, and other such devices.

The B551 Input Module measures 4.44 cm x 8.38 cm x 16.51 cm and weighs about .45 kg. User connections are made to standard barrier strips on the B545 or B546 I/O housing. This configuration permits a replacement of modules without disturbing the field wiring.



B551 115 VAC INPUT MODULE
SIMPLIFIED SCHEMATIC



B551 115 VAC INPUT MODULE
TERMINAL NUMBERING AND CONNECTIONS

SPECIFICATIONS

Electrical Characteristics

ON Level	80 to 130 VAC (less than 1000 ohms source impedance)
OFF Level	0 to 48 VAC (less than 1000 ohms source impedance)
	0 to 130 VAC (source impedance greater than 40 Kohms)
Input Impedance	Approx. 16K at 60 Hz
Max Input Voltage	200 VAC per 1 cycle 150 VAC for 10 seconds
Switching Level	Approx. 60 VAC
Frequency	40 to 70 Hz

Circuit Characteristics

Topology	4 inputs per module 1 input per isolated group
Isolation Voltage	1500 VAC RMS for 1 sec.
Response Time	ON to OFF, 20ms (max) OFF to ON, 10ms (max)
Input Status Indicator	One neon lamp per input ON when input is ON

NOTES

The B551-001 Input Module is capable of interconnection with the Gould B550 and B230 115 VAC Output Modules without the use of additional components.



Artisan Scientific

QUALITY INSTRUMENTATION ... GUARANTEED

Looking for more information?

Visit us on the web at <http://www.artisan-scientific.com> for more information:

- Price Quotations
- Drivers
- Technical Specifications, Manuals and Documentation

Artisan Scientific is Your Source for Quality New and Certified-Used/Pre-owned Equipment

- Tens of Thousands of In-Stock Items
- Hundreds of Manufacturers Supported
- Fast Shipping and Delivery
- Leasing / Monthly Rentals
- Equipment Demos
- Consignment

Service Center Repairs

Experienced Engineers and Technicians on staff in our State-of-the-art Full-Service In-House Service Center Facility

InstraView™ Remote Inspection

Remotely inspect equipment before purchasing with our Innovative InstraView™ website at <http://www.instraview.com>

We buy used equipment! We also offer credit for Buy-Backs and Trade-Ins

Sell your excess, underutilized, and idle used equipment. Contact one of our Customer Service Representatives today!

Talk to a live person: 888-88-SOURCE (888-887-6872) | Contact us by email: sales@artisan-scientific.com | Visit our website: <http://www.artisan-scientific.com>