



## Artisan Technology Group is your source for quality new and certified-used/pre-owned equipment

- FAST SHIPPING AND DELIVERY
- TENS OF THOUSANDS OF IN-STOCK ITEMS
- EQUIPMENT DEMOS
- HUNDREDS OF MANUFACTURERS SUPPORTED
- LEASING/MONTHLY RENTALS
- ITAR CERTIFIED SECURE ASSET SOLUTIONS

### SERVICE CENTER REPAIRS

Experienced engineers and technicians on staff at our full-service, in-house repair center

### *InstraView*<sup>SM</sup> REMOTE INSPECTION

Remotely inspect equipment before purchasing with our interactive website at [www.instraview.com](http://www.instraview.com) ↗

### WE BUY USED EQUIPMENT

Sell your excess, underutilized, and idle used equipment. We also offer credit for buy-backs and trade-ins. [www.artisanng.com/WeBuyEquipment](http://www.artisanng.com/WeBuyEquipment) ↗

### LOOKING FOR MORE INFORMATION?

Visit us on the web at [www.artisanng.com](http://www.artisanng.com) ↗ for more information on price quotations, drivers, technical specifications, manuals, and documentation

**Contact us:** (888) 88-SOURCE | [sales@artisanng.com](mailto:sales@artisanng.com) | [www.artisanng.com](http://www.artisanng.com)



**Kombiniertes-Zweifach-Getriebe**

1. Radsatz Schneckenrad (Gleitlagerung) / 2. Radsatz Stirnrad (Kugellagerung)

**Combination Worm/Spurwheel Gearboxes**

First Stage Wormwheel (Sleeve Bearings) / Second Stage Spurwheel (Ball Bearings)

**Reducteurs à roues et vis, et train parallèle**

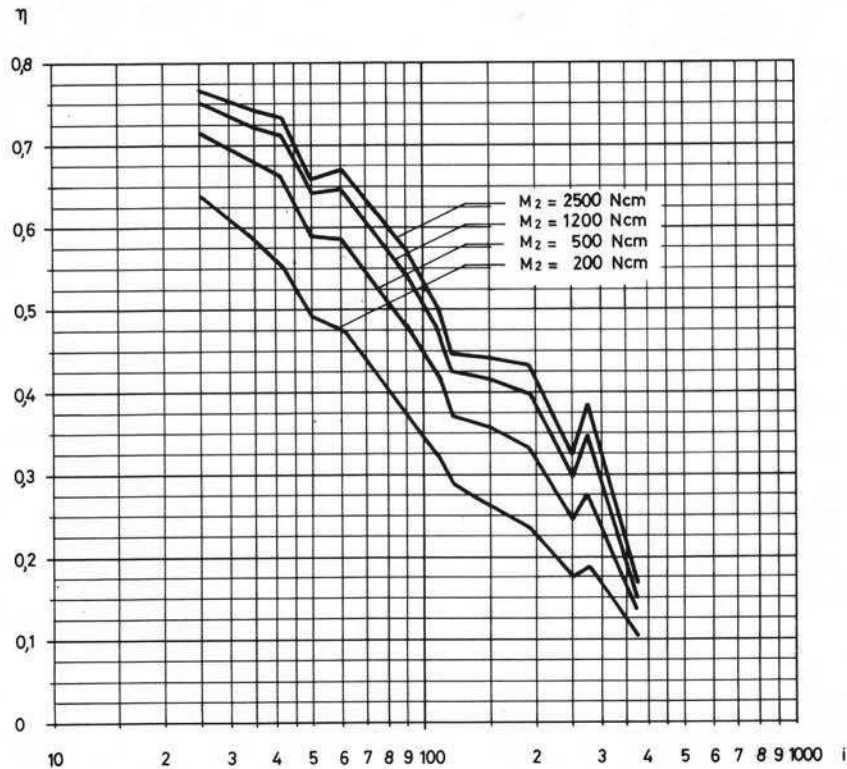
**Z14 / Z20**

25:1, 35:1, 41,6:1, 50:1, 60:1, 75:1, 90:1, 100:1, 110:1, 120:1, 125:1, 150:1, 190:1, 250:1, 275:1, 375:1

Maximal zulässiges Drehmoment / Maximum Output Torque	2500 Ncm
Maximal zulässige Verlustleistung bei DB / Maximum Thermal Dissipation (continuous duty)	60 Watt

Entsprechend der An- bzw. Einbaulage ist jeweils an der höchsten Stelle und außerhalb des Schleuderbereiches eine Entlüftungsbohrung erforderlich

Vent hole required. Specify mounting position for proper location.



Belastbarkeit der Abtriebswelle  
 radial: 300 N (Angriff Mitte frei vorstehendem Wellenende)  
 axial: 140 N

Maximum radial load 300 N  
 (at center of output shaft extension)  
 Maximum axial load 140 N

Maßbilder s. nächste Seite / See following page for dimensional information

**Kombiniertes-Zweifach-Getriebe**

1. Radsatz Schneckenrad (Gleitlagerung) / 2. Radsatz Stirrad (Kugellagerung)

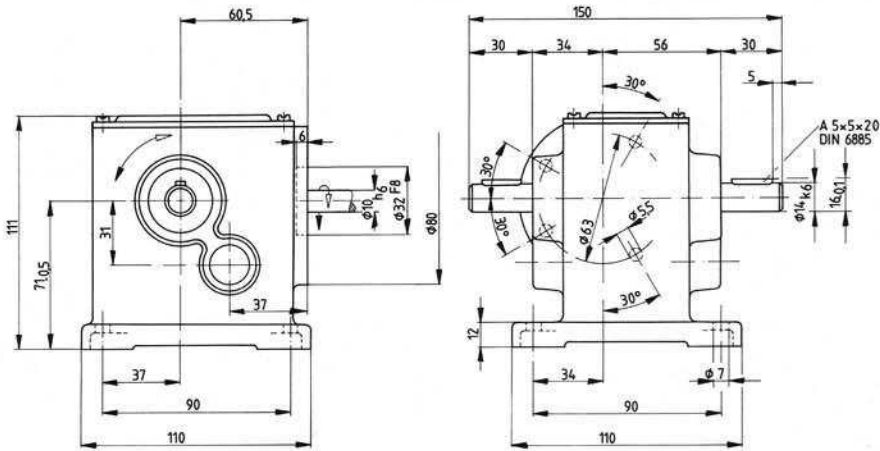
**Combination Worm/Spurwheel Gearboxes**

First Stage Wormwheel (Sleeve Bearings) / Second Stage Spurwheel (Ball Bearings)

**Reducteurs à roues et vis, et train parallèle**

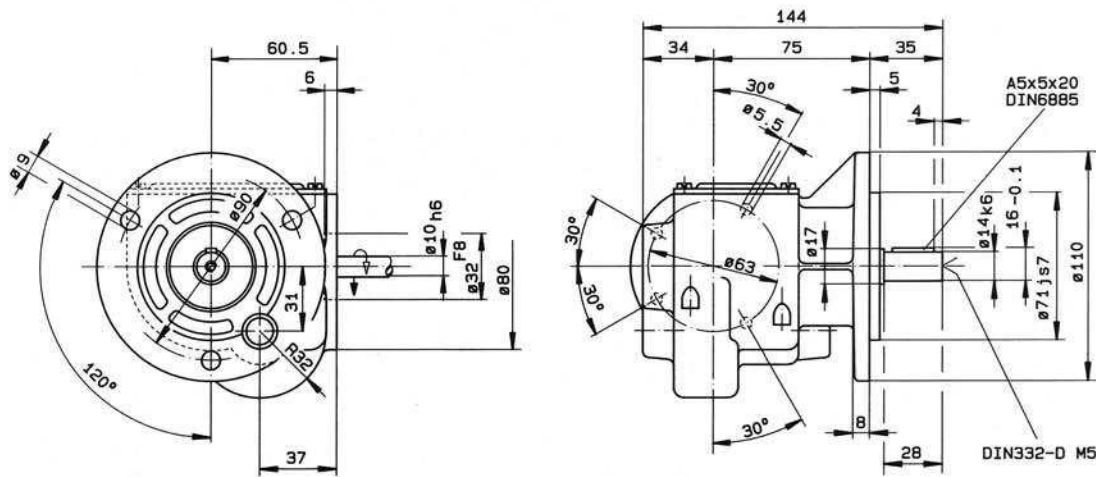
**Z14 / Z20**

**Typ / Model Z 14**



Gewicht / Weight kg
1,7

**Typ / Model Z 20**



Gewicht / Weight kg
2,0

Maße ohne Toleranzangabe unverbindlich / Dimensions are in mm and are for reference only.



## Artisan Technology Group is your source for quality new and certified-used/pre-owned equipment

- FAST SHIPPING AND DELIVERY
- TENS OF THOUSANDS OF IN-STOCK ITEMS
- EQUIPMENT DEMOS
- HUNDREDS OF MANUFACTURERS SUPPORTED
- LEASING/MONTHLY RENTALS
- ITAR CERTIFIED SECURE ASSET SOLUTIONS

### SERVICE CENTER REPAIRS

Experienced engineers and technicians on staff at our full-service, in-house repair center

### *InstraView*<sup>SM</sup> REMOTE INSPECTION

Remotely inspect equipment before purchasing with our interactive website at [www.instraview.com](http://www.instraview.com) ↗

### WE BUY USED EQUIPMENT

Sell your excess, underutilized, and idle used equipment. We also offer credit for buy-backs and trade-ins. [www.artisanng.com/WeBuyEquipment](http://www.artisanng.com/WeBuyEquipment) ↗

### LOOKING FOR MORE INFORMATION?

Visit us on the web at [www.artisanng.com](http://www.artisanng.com) ↗ for more information on price quotations, drivers, technical specifications, manuals, and documentation

**Contact us:** (888) 88-SOURCE | [sales@artisanng.com](mailto:sales@artisanng.com) | [www.artisanng.com](http://www.artisanng.com)