



Artisan Technology Group is your source for quality new and certified-used/pre-owned equipment

- FAST SHIPPING AND DELIVERY
- TENS OF THOUSANDS OF IN-STOCK ITEMS
- EQUIPMENT DEMOS
- HUNDREDS OF MANUFACTURERS SUPPORTED
- LEASING/MONTHLY RENTALS
- ITAR CERTIFIED SECURE ASSET SOLUTIONS

SERVICE CENTER REPAIRS

Experienced engineers and technicians on staff at our full-service, in-house repair center

*InstraView*SM REMOTE INSPECTION

Remotely inspect equipment before purchasing with our interactive website at www.instraview.com ↗

WE BUY USED EQUIPMENT

Sell your excess, underutilized, and idle used equipment. We also offer credit for buy-backs and trade-ins. www.artisanng.com/WeBuyEquipment ↗

LOOKING FOR MORE INFORMATION?

Visit us on the web at www.artisanng.com ↗ for more information on price quotations, drivers, technical specifications, manuals, and documentation

Contact us: (888) 88-SOURCE | sales@artisanng.com | www.artisanng.com



▲ Left: C2400-32, Right: C2400-35

The C2400-32, -35 cameras are designed specifically for imaging at ultra-low light levels. Each camera consists of an image intensifier including a 1 stage MCP and CCD camera coupled with a relay lens.

Single photon counting is possible due to superior performance as compared to conventional ICCD Cameras, for example:

1. Higher gain about 10 times higher
2. Lower dark noise about 1/10 lower : using bi-alkali photocathode

APPLICATION

The cameras can be used for luminescence and fluorescence applications in a macroscopic or microscopic imaging system set up.

- Gene expression experiments
- Colony screening
- Detection of gels and blots
- Enzyme Immunoassay
- Phagocytosis
- DNA hybridization

FEATURES

- **High spatial resolution**
370 TV lines (Typical horizontal center resolution)
- **Low geometric distortion**
Max 2% within inscribed circle
- **High sensitivity**
Single photon counting is possible
- **Wide effective scanning area**
Approx. 19.0 (H) mm × 14.2 (V) mm (C2400-32)
Approx. 12.7 (H) mm × 9.5 (V) mm (C2400-35)

SPECIFICATION

• Configuration

	Relay lens	CCD camera
C2400-32	A6110	C2400-75H
C2400-35	A2098	C2400-75H

• Image Intensifier

Photocathode Bi-alkali
 Wave length 360-650 [nm] / peak 430 [nm]
 (upon request 380-
 680[nm]/peak 500[nm])
 Effective area of Photocathode ϕ 25mm

• Relay Lens

Number	A6110	A2098
Name of Relay Lens	3 : 1	2 : 1
Reduction Rate	3.09 : 1	2.00 : 1
F Number (front \times rear)	3.09 \times 1.01	2.46 \times 1.23
Objective Distance [mm]	23.9	25.0
Shading [%]	25	20
Transmittance at 530nm [%]	88	88

• CCD Camera

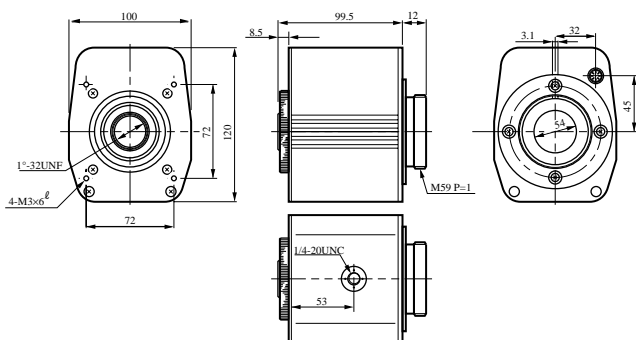
Model No.	C2400-75H	
SYNC Method	EIA (USA)	CCIR (Europe)
Pickup Device	1/2" Interline transfer CCD	
Number of pixels (H) \times (V)	768 \times 494	756 \times 581
Cell Size (H \times V) μ m	8.4 \times 9.8	8.6 \times 8.3
Effective Number of Pixels	756 \times 485	739 \times 575
Resolution (H \times V) TV lines	570 \times 485	560 \times 575
Sync System	525 lines 59.94Hz	625 lines 50Hz

• Others

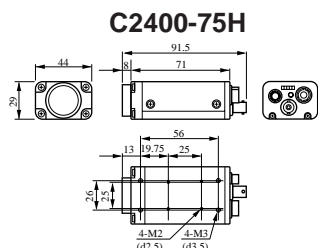
Resolution 370 [TV lines]
 Geometric Distortion 2 [%] / Max.
 Shading 50 [%] / Typ.
 Gamma 1.0 / Typ.
 Lens Mount C, F, Canon, Olympus and other
 External Control Possible (RS-232C)

DIMENSIONAL OUTLINE (mm)

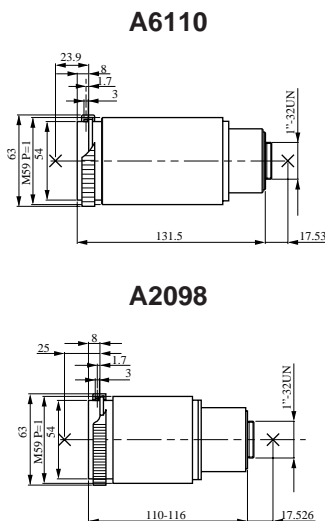
• Image Intensifier



• CCD Camera



• Relay Lens



- Subject to local technical requirements and regulations, availability of products included in this promotional material may vary. Please consult with our sales office.
- Information furnished by HAMAMATSU is believed to be reliable. However, no responsibility is assumed for possible inaccuracies or omissions. Specifications and external appearance are subject to change without notice.

© 1997 Hamamatsu Photonics K.K.

HAMAMATSU

Homepage Address <http://www.hamamatsu.com>

HAMAMATSU PHOTONICS K.K., Systems Division
 812 Joko-cho, Hamamatsu City, 431-31, Japan, Telephone: (81)53-431-0124, Fax: (81)53-435-1574, E-mail: export@sys.hpk.co.jp

U.S.A. and Canada: Hamamatsu Photonic Systems: 360 Foothill Road, Bridgewater, N.J. 08807-0910, U.S.A., Telephone: (1)908-231-1116, Fax: (1)908-231-0852

Germany: Hamamatsu Photonics Deutschland GmbH: Arzbergerstr. 10, D-82211 Herrsching am Ammersee, Germany, Telephone: (49)8152-375-0, Fax: (49)8152-2658

France: Hamamatsu Photonics France S.A.R.L.: 8, Rue du Saule Trapu, Parc du Moulin de Massy, 91882 Massy Cedex, France, Telephone: (33)1 69 53 71 00, Fax: (33)1 69 53 71 10

United Kingdom: Hamamatsu Photonics UK Limited: Lough Point, 2 Gladbeck Way, Windmill Hill, Enfield, Middlesex EN2 7JA, United Kingdom, Telephone: (44)181-367-3560, Fax: (44)181-367-6384

North Europe: Hamamatsu Photonics Norden AB: Färögatan 7, S-164-40 Kista, Sweden, Telephone: (46)8-703-29-50, Fax: (46)8-750-58-95

Italy: Hamamatsu Photonics Italia S.R.L.: Via Della Moia, 1/E, 20020 Arese, (Milano), Italy, Telephone: (39)2-935 81 733, Fax: (39)2-935 81 741

Cat. No. SICS 1033E03

NOV/97 CR

Created in Japan (PDF)



Artisan Technology Group is your source for quality new and certified-used/pre-owned equipment

- FAST SHIPPING AND DELIVERY
- TENS OF THOUSANDS OF IN-STOCK ITEMS
- EQUIPMENT DEMOS
- HUNDREDS OF MANUFACTURERS SUPPORTED
- LEASING/MONTHLY RENTALS
- ITAR CERTIFIED SECURE ASSET SOLUTIONS

SERVICE CENTER REPAIRS

Experienced engineers and technicians on staff at our full-service, in-house repair center

*InstraView*SM REMOTE INSPECTION

Remotely inspect equipment before purchasing with our interactive website at www.instraview.com ↗

WE BUY USED EQUIPMENT

Sell your excess, underutilized, and idle used equipment. We also offer credit for buy-backs and trade-ins. www.artisanng.com/WeBuyEquipment ↗

LOOKING FOR MORE INFORMATION?

Visit us on the web at www.artisanng.com ↗ for more information on price quotations, drivers, technical specifications, manuals, and documentation

Contact us: (888) 88-SOURCE | sales@artisanng.com | www.artisanng.com