



Artisan Technology Group is your source for quality new and certified-used/pre-owned equipment

- FAST SHIPPING AND DELIVERY
- TENS OF THOUSANDS OF IN-STOCK ITEMS
- EQUIPMENT DEMOS
- HUNDREDS OF MANUFACTURERS SUPPORTED
- LEASING/MONTHLY RENTALS
- ITAR CERTIFIED SECURE ASSET SOLUTIONS

SERVICE CENTER REPAIRS

Experienced engineers and technicians on staff at our full-service, in-house repair center

*InstraView*SM REMOTE INSPECTION

Remotely inspect equipment before purchasing with our interactive website at www.instraview.com ↗

WE BUY USED EQUIPMENT

Sell your excess, underutilized, and idle used equipment. We also offer credit for buy-backs and trade-ins. www.artisanng.com/WeBuyEquipment ↗

LOOKING FOR MORE INFORMATION?

Visit us on the web at www.artisanng.com ↗ for more information on price quotations, drivers, technical specifications, manuals, and documentation

Contact us: (888) 88-SOURCE | sales@artisanng.com | www.artisanng.com

HITACHI VIDEO MONITOR



VM-902

A 9 inch monochrome video monitor for CCTV and general purpose video applications.

FEATURES

- Excellent resolution due to wide-band video amplifier.
- Accurate deflection linearity due to special deflection distortion correction design.
- Video bridging allows a single video signal to be looped between monitors.
- Wide use of integrated circuits assure reliability and stability.

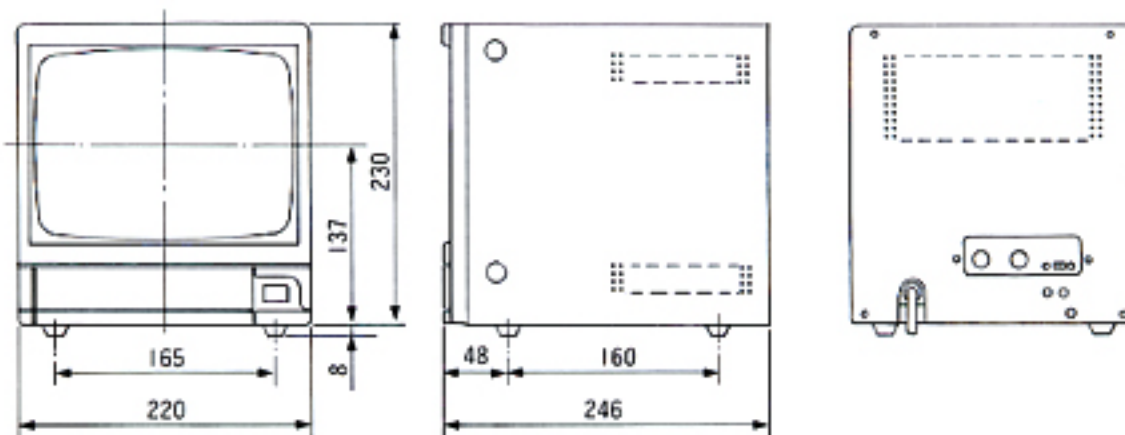
HITACHI VIDEO MONITOR

VM-902

KEY SPECIFICATIONS

Video input:	Composite video signal, 1.0 Vp-p, sync negative	Ambient temperature:	-10 to 50°C (14 or 122°F)
Input impedance:	75 Ω or high	Power supply:	U: 120V AC, 60Hz E,K: 220/240V AC, 50Hz
Resolution:	Horizontal: Over 600 lines Vertical: Over 300 lines	Power consumption:	27W approx.
Deflection linearity:	2% or better at center (with respect to picture height)	Dimensions:	220(W) × 230(H) × 246(D)mm (8.7 × 9.1 × 9.7 in) (excluding projections)
High voltage:	10.5kV approx.	Weight:	5.9kg approx. (13 lb)
Picture tube:	9-inch, 90° deflection, 240XB4A or equivalent		

DIMENSIONS



(Unit : mm)

- Note** • The products and their specifications herein described are subject to change without notice. When placing an order of the products, please make sure whether the information of this material is the latest.
• Hitachi Denshi, Ltd. warrants that these products meet the standard warranty conditions of Hitachi Denshi, Ltd.

Hitachi Denshi, Ltd. carries out inspection and other quality control of the products within the range required to provide this warranty.

- It is recommended that to maintain your video product or system in good working order you are advised to discuss with the vendor an appropriate maintenance package to meet your requirements.

Specifications are subject to change without notice.

Hitachi Denshi, Ltd

Head Office : 1-8-60 Kojima-cho, Chiyoda-ku, Tokyo 102-8004, Japan
Phone: (03)5421-5211, Fax: (03)5421-5296

Hitachi Denshi America, Ltd.

Head Office : 150 Cromwell Park Drive, Woodbury, New York 11797, U.S.A.
Phone: (516)821-7200, Fax: (516)821-5793

Chicago Office : 400 East Devon Ave., Suite 110, Rosemead, IL 60143-1001, U.S.A.
Phone: (312)250-8050, Fax: (312)250-8054

Los Angeles Office : 371 Van Ness Way, Suite 120, Torrance, California 90501, U.S.A.
Phone: (714)226-8116, Fax: (714)226-8050

Dallas Office : 2100 West N.W. Highway, Suite 1140, Grapevine, TX 76051, U.S.A.
Phone: (817)488-4525, Fax: (817)488-4734

Atlanta Office : 2029 Arrowood Road, Suite 110, Atlanta, Georgia 30360, U.S.A.
Phone: (770)242-3636, Fax: (770)242-6839

Phone: (770)242-7230

Hitachi Denshi, Ltd. (Canada)

Head Office : 1 Selkirk Avenue Unit 4-14, Scarborough, Ontario CANADA M1V 5J3
Phone: (416)298-6280, Fax: (416)298-0462

London Office : 5700 Chelsea St., Vaughan, Ontario CANADA M4S 1S6
Phone: (416)332-6667, Fax: (416)332-1964

Ottawa Office : 9 Balfour Drive, Nepean, Ontario CANADA K2E 7V5
Phone: (613)721-7933, Fax: (613)625-4251

Hitachi Denshi (Europe), GmbH

Head Office : Weiskirchen Str. 7a 65, Jägerheim D 62110 Rodgau, Germany
Phone: (0619)4390-0, Fax: (0619)4390-1

Hitachi Denshi (U.K.), Ltd.

Head Office : 18 Spence Industrial Estate, Irving Way, Hemel Hempstead, Herts, HX9 6AG, United Kingdom
Phone: (0494) 6152-4711, Fax: (0494) 252-2462

Leeds Office : Brookfield House, Selby Road, Garforth Leeds, LS25 1AB, United Kingdom
Phone: (0113) 2674600, Fax: (0113) 2674300

Hitachi Denshi - Ltd.

Singapore Branch : 10 Raffles Road #20-15 International Plaza Singapore 37960
Phone: (65) 223-8800, Fax: (65) 223-0296

Beijing Office : Beijing Fortune Plaza, 100004 Beijing, P.R. China
Phone: (86) 10-422-1111, Fax: (86) 10-422-1111



Artisan Technology Group is your source for quality new and certified-used/pre-owned equipment

- FAST SHIPPING AND DELIVERY
- TENS OF THOUSANDS OF IN-STOCK ITEMS
- EQUIPMENT DEMOS
- HUNDREDS OF MANUFACTURERS SUPPORTED
- LEASING/MONTHLY RENTALS
- ITAR CERTIFIED SECURE ASSET SOLUTIONS

SERVICE CENTER REPAIRS

Experienced engineers and technicians on staff at our full-service, in-house repair center

*InstraView*SM REMOTE INSPECTION

Remotely inspect equipment before purchasing with our interactive website at www.instraview.com ↗

WE BUY USED EQUIPMENT

Sell your excess, underutilized, and idle used equipment. We also offer credit for buy-backs and trade-ins. www.artisanng.com/WeBuyEquipment ↗

LOOKING FOR MORE INFORMATION?

Visit us on the web at www.artisanng.com ↗ for more information on price quotations, drivers, technical specifications, manuals, and documentation

Contact us: (888) 88-SOURCE | sales@artisanng.com | www.artisanng.com