



Artisan Technology Group is your source for quality new and certified-used/pre-owned equipment

- FAST SHIPPING AND DELIVERY
- TENS OF THOUSANDS OF IN-STOCK ITEMS
- EQUIPMENT DEMOS
- HUNDREDS OF MANUFACTURERS SUPPORTED
- LEASING/MONTHLY RENTALS
- ITAR CERTIFIED SECURE ASSET SOLUTIONS

SERVICE CENTER REPAIRS

Experienced engineers and technicians on staff at our full-service, in-house repair center

*InstraView*SM REMOTE INSPECTION

Remotely inspect equipment before purchasing with our interactive website at www.instraview.com ↗

WE BUY USED EQUIPMENT

Sell your excess, underutilized, and idle used equipment. We also offer credit for buy-backs and trade-ins. www.artisanng.com/WeBuyEquipment ↗

LOOKING FOR MORE INFORMATION?

Visit us on the web at www.artisanng.com ↗ for more information on price quotations, drivers, technical specifications, manuals, and documentation

Contact us: (888) 88-SOURCE | sales@artisanng.com | www.artisanng.com

Cache Module Battery Pack Installation Instructions

for HP Smart Array P400 Controllers



Overview


This document provides basic instructions for installing or replacing a battery pack. For specific steps, see the user guide that ships with the product.

Kit contents

- Battery pack
- Battery pack cable
- This document

Warning

This component uses a nickel metal hydride (NiMH) battery pack.

 **WARNING:** There is a risk of explosion, fire, or personal injury if a battery pack is mishandled. To reduce this risk:

- Do not attempt to recharge the batteries if they are disconnected from the controller.
- Do not expose the battery pack to water, or to temperatures higher than 60°C (140°F).
- Do not abuse, disassemble, crush, or puncture the battery pack.
- Do not short the external contacts.
- Replace the battery pack only with the designated HP spare.
- Battery disposal should comply with local regulations.



Batteries, battery packs, and accumulators should not be disposed of together with the general household waste. To forward them to recycling or proper disposal, use the public collection system or return them to HP, an authorized HP Partner, or their agents.

For more information about battery replacement or proper disposal, contact an authorized reseller or an authorized service provider.

Preparing for installation

1. Close all applications
2. Power down the server or server blade. This action flushes all data from the cache.
3. Do one of the following:
 - o Open or remove the tower bezel, as needed.
 - o Extend the server from the rack.
 - o Remove the server blade from the enclosure.
4. Remove the access panel.

Installing a battery pack

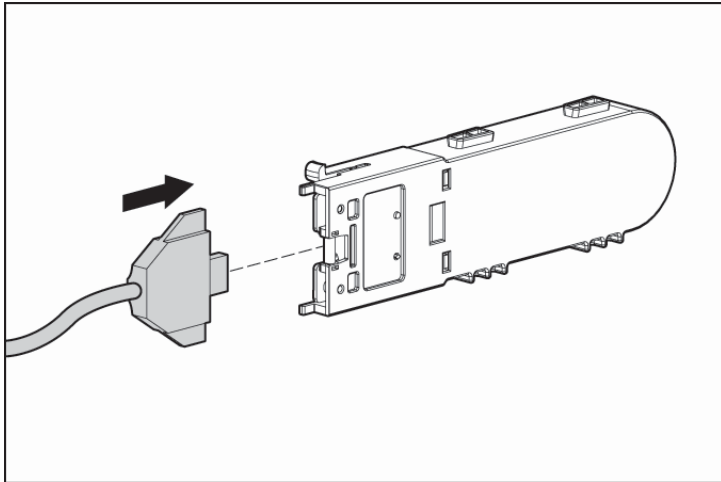
1. Identify the battery pack retainer. For more information, see the server-specific user guide.

© Copyright 2005, 2007 Hewlett-Packard Development Company, L.P.

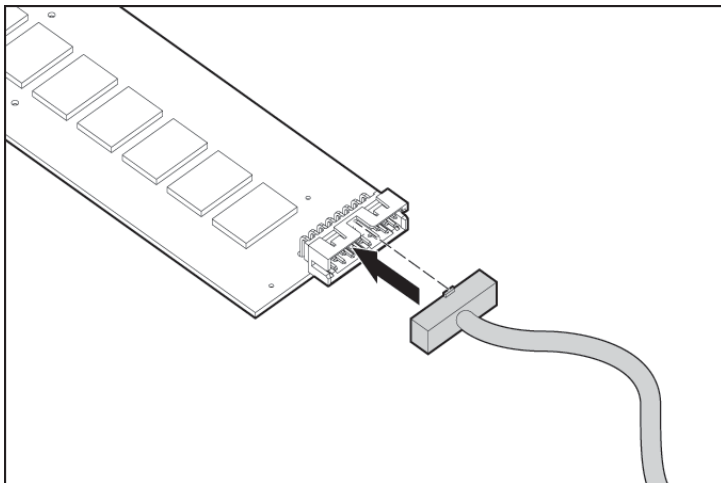
The information contained herein is subject to change without notice. The only warranties for HP products and services are set forth in the express warranty statements accompanying such products and services. Nothing herein should be construed as constituting an additional warranty. HP shall not be liable for technical or editorial errors or omissions contained herein.

Part Number 399708-002
September 2007 (Second Edition)

2. Remove all components that prevent access to the battery pack retainer. See the server-specific user guide.
3. Connect the battery pack cable (supplied in this kit) to the battery pack.



4. Install the battery pack.
5. Connect the battery pack cable to the cache module.



Replacing a battery pack

1. Remove all components that prevent access to the battery pack. For more information, see the server-specific user guide.

CAUTION: Do not replace a battery pack while the server is powered up.

2. Observe the BBWC Status LED:
 - o If the LED is flashing every 2 seconds, data is still trapped in the cache. Reboot the OS, the power down the system to flush all data from the cache.
 - o If the LED is not lit, proceed with the next step.
3. Disconnect the existing battery cable from the cache module.
4. Remove the existing battery pack and battery cable.
5. Connect the battery cable (supplied in the battery pack kit) to the new battery pack.
6. Install the new battery pack.
7. Connect the battery cable to the cache module.

Preparing for operation

CAUTION: Always connect the battery cable to the battery pack and the cache module before installing the server or server blade. A loose end of the battery cable can cause a short circuit that damages the system permanently.

1. Install all components removed to access the battery pack or the battery pack retainer.
2. Install the access panel.
3. Do one of the following:
 - o Close or install the tower bezel, as needed.
 - o Slide the server into the rack.
 - o Install the server blade into the enclosure.

NOTE: After installing a battery pack, you might see a POST message during reboot indicating that the array accelerator (cache) is temporarily disabled. This is normal, because the new battery pack is likely to have a low charge. You do not need to take any action, because the recharge process begins automatically when the battery pack is installed. The controller will operate properly while the battery pack recharges, although the performance advantage of the array accelerator will be absent. When the battery pack has been charged to a satisfactory level, the array accelerator will automatically be enabled.

The installation is complete.



Artisan Technology Group is your source for quality new and certified-used/pre-owned equipment

- FAST SHIPPING AND DELIVERY
- TENS OF THOUSANDS OF IN-STOCK ITEMS
- EQUIPMENT DEMOS
- HUNDREDS OF MANUFACTURERS SUPPORTED
- LEASING/MONTHLY RENTALS
- ITAR CERTIFIED SECURE ASSET SOLUTIONS

SERVICE CENTER REPAIRS

Experienced engineers and technicians on staff at our full-service, in-house repair center

*InstraView*SM REMOTE INSPECTION

Remotely inspect equipment before purchasing with our interactive website at www.instraview.com ↗

WE BUY USED EQUIPMENT

Sell your excess, underutilized, and idle used equipment. We also offer credit for buy-backs and trade-ins. www.artisanng.com/WeBuyEquipment ↗

LOOKING FOR MORE INFORMATION?

Visit us on the web at www.artisanng.com ↗ for more information on price quotations, drivers, technical specifications, manuals, and documentation

Contact us: (888) 88-SOURCE | sales@artisanng.com | www.artisanng.com