



Artisan Technology Group is your source for quality new and certified-used/pre-owned equipment

- FAST SHIPPING AND DELIVERY
- TENS OF THOUSANDS OF IN-STOCK ITEMS
- EQUIPMENT DEMOS
- HUNDREDS OF MANUFACTURERS SUPPORTED
- LEASING/MONTHLY RENTALS
- ITAR CERTIFIED SECURE ASSET SOLUTIONS

SERVICE CENTER REPAIRS

Experienced engineers and technicians on staff at our full-service, in-house repair center

*InstraView*SM REMOTE INSPECTION

Remotely inspect equipment before purchasing with our interactive website at www.instraview.com ↗

WE BUY USED EQUIPMENT

Sell your excess, underutilized, and idle used equipment. We also offer credit for buy-backs and trade-ins. www.artisanng.com/WeBuyEquipment ↗

LOOKING FOR MORE INFORMATION?

Visit us on the web at www.artisanng.com ↗ for more information on price quotations, drivers, technical specifications, manuals, and documentation

Contact us: (888) 88-SOURCE | sales@artisanng.com | www.artisanng.com

Standard Specifications and Dimensions

AS-12R11-60 • 100

Stroke	200 (7.9")	300 (11.8")	400 (15.7")	500 (19.7")	800 (31.5")	1000 (39.4")	1100 (43.3")	1200 (47.2")
Unit Wt (kg)	8.1 (17.9#)	9.1 (20.1#)	10.1 (22.3#)	11.1 (24.5#)	14.1 (31.1#)	16.1 (35.5#)	17.1 (37.7#)	18.1 (39.9#)

TYPE		AS-12R11-60	AS-12R11-100
Rated Power	W	60	100
Rated Speed	mm/sec	400 (15.7 in/sec)	
Rated Thrust	kgf	13 (28.7 lbs)	21 (46.3 lbs)
Repeatability	mm	±0.02 (±0.0008")	
Motor		DC Servo Motor	
Encoder		Motor One Body Type	
Ballscrew		φ16mm • 16 mm Lead • Roll Thread C10 • Backlash 0.1mm or less	
Guide		Linear Motion Guide: SR-15V2UU (2 each)	
Motor/Ballscrew Connection		Timing Belt • Gear Reduction 1/2	
Base		Extruded Aluminum (A6063S-T5) White Alumite Treatment	
Maximum Speed *1	mm/sec	500 (1000 mm stroke at 400 mm/sec • 1100 mm stroke at 350 mm • 1200 mm stroke at 300 mm)	
Maximum Thrust *2	kgf	25 (55.1 lbs)	41 (90.4 lbs)
Payload *3,4	kgw	Horizontal : 30 kgw or less • Vertical : 8 kgw or less	Horizontal : 45 kgw or less • Vertical : 13 kgw or less
Moment *3,5	kgf • m	MA : 7 MB : 7 MC : 7	
Overhang Load Length *6	mm	600 or less	

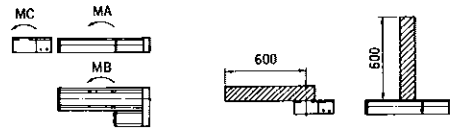
*1For an 800 mm or longer stroke actuator, use the rated or less than rated speed within a 100 mm distance from the stroke end to avoid ballscrew resonance.

*2At a speed of 10 mm/sec for 10 seconds.

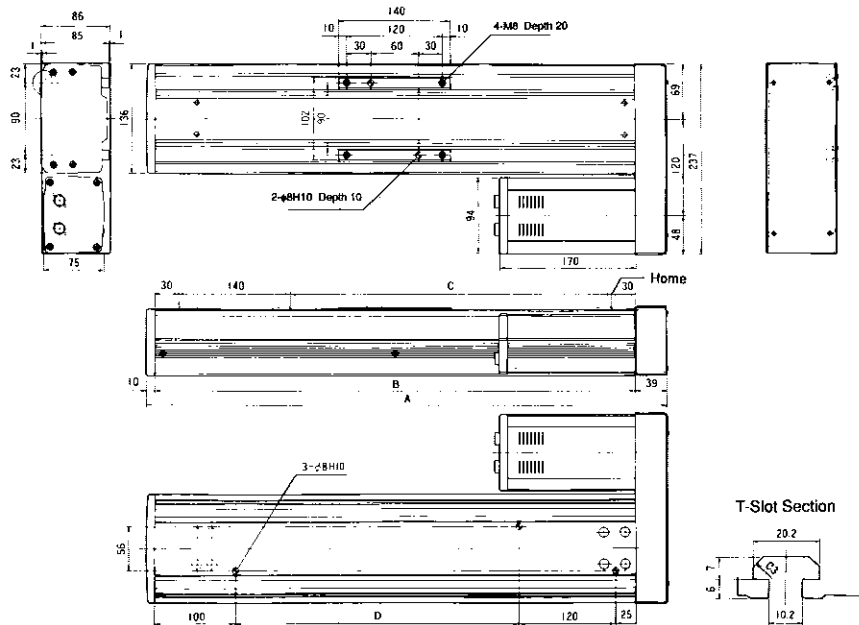
*3 Load uniformly distributed on the slide. Base affixed to a flat, strong frame.

*4 At an acceleration of 0.3G, and 400 mm/sec speed.

*5See Figures



*6The center of gravity exists at the half-way point of the overhang load length.



AS-12R11-60 • 100

Stroke	200	300	400	500	600	700	800	900	1000	1100	1200
A	449	549	649	749	849	949	1049	1149	1249	1349	1449
B	400	500	600	700	800	900	1000	1100	1200	1300	1400
C	290	300	400	500	600	700	800	900	1000	1100	1200
D	155	255	355	455	555	655	755	855	955	1055	1155

*Actuator with brake has same dimensions



Artisan Technology Group is your source for quality new and certified-used/pre-owned equipment

- FAST SHIPPING AND DELIVERY
- TENS OF THOUSANDS OF IN-STOCK ITEMS
- EQUIPMENT DEMOS
- HUNDREDS OF MANUFACTURERS SUPPORTED
- LEASING/MONTHLY RENTALS
- ITAR CERTIFIED SECURE ASSET SOLUTIONS

SERVICE CENTER REPAIRS

Experienced engineers and technicians on staff at our full-service, in-house repair center

*InstraView*SM REMOTE INSPECTION

Remotely inspect equipment before purchasing with our interactive website at www.instraview.com ↗

WE BUY USED EQUIPMENT

Sell your excess, underutilized, and idle used equipment. We also offer credit for buy-backs and trade-ins. www.artisanng.com/WeBuyEquipment ↗

LOOKING FOR MORE INFORMATION?

Visit us on the web at www.artisanng.com ↗ for more information on price quotations, drivers, technical specifications, manuals, and documentation

Contact us: (888) 88-SOURCE | sales@artisanng.com | www.artisanng.com