



Artisan Technology Group is your source for quality new and certified-used/pre-owned equipment

- FAST SHIPPING AND DELIVERY
- TENS OF THOUSANDS OF IN-STOCK ITEMS
- EQUIPMENT DEMOS
- HUNDREDS OF MANUFACTURERS SUPPORTED
- LEASING/MONTHLY RENTALS
- ITAR CERTIFIED SECURE ASSET SOLUTIONS

SERVICE CENTER REPAIRS

Experienced engineers and technicians on staff at our full-service, in-house repair center

*InstraView*SM REMOTE INSPECTION

Remotely inspect equipment before purchasing with our interactive website at www.instraview.com ↗

WE BUY USED EQUIPMENT

Sell your excess, underutilized, and idle used equipment. We also offer credit for buy-backs and trade-ins. www.artisanng.com/WeBuyEquipment ↗

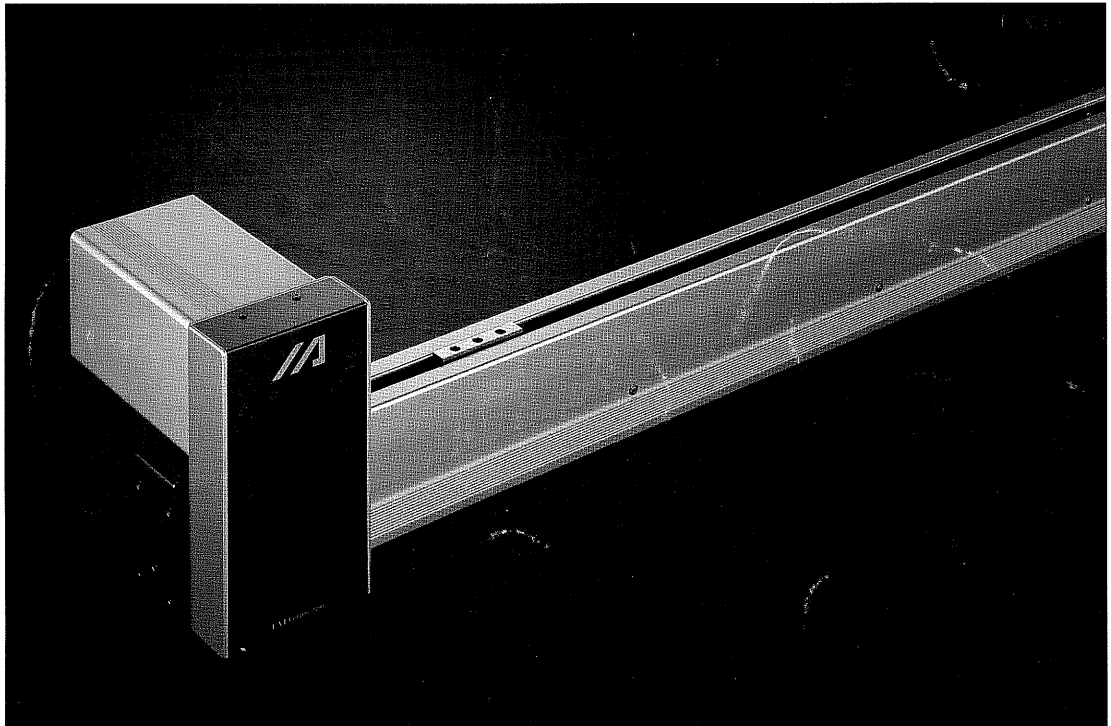
LOOKING FOR MORE INFORMATION?

Visit us on the web at www.artisanng.com ↗ for more information on price quotations, drivers, technical specifications, manuals, and documentation

Contact us: (888) 88-SOURCE | sales@artisanng.com | www.artisanng.com

FS

**FLEXIBLE SYSTEM SERIES
&
UNIT SERIES**



The FS Series Features:

1. Long Stroke: Maximum 2500mm
 2. Maximum Speed: 1,500mm/sec, tact time improves considerably if work is lightweight. (*)
 3. A wide variety of configurations are possible by simply combining IA Actuator, Guide Rail and Profile Modules.
 4. Small sectional dimensions make the FS Series ideal in limited space situations.
 5. Low running noise.
 6. D1 and D2 versions (available as options) have longer sliders than the standard FS actuator and come with a dust prevention stainless steel sheet.
- * With an ISAC motor, the maximum speed is 1250mm/sec.

IA-FS-11NM-100-600-AC-D1

1 2 3 4 5 6 7 8 9

1 Intelligent Actuator Products Group

2 Series

FS: Flexible Series

3 Guide Block Type

- 11: Single Guide Block
12: Double Guide Block

4 Shape

- N: Narrow Type (60W, 100W)
W: Wide Type (100W, 200W)

5 Structure

- M: Actuator Module
O: Guide Module

6 Power

- 0: Without Motor
60W: 60W Servo Motor
100W: 100W Servo Motor
200W: 200W Servo Motor

7 Stroke Range

- N Type: 300 ~ 1000mm (11.8" ~ 39.4")
W Type: 300 ~ 2500mm (11.8" ~ 98.4")

8 Motor Type

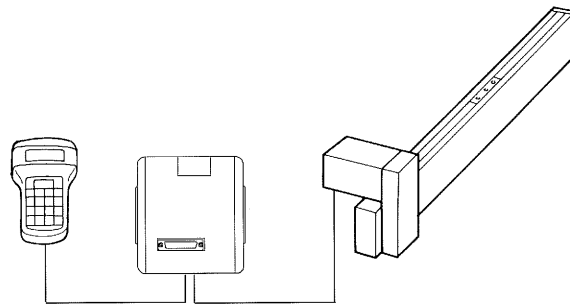
- DC (or no indicator): DC motor
AC: AC motor

9 Options

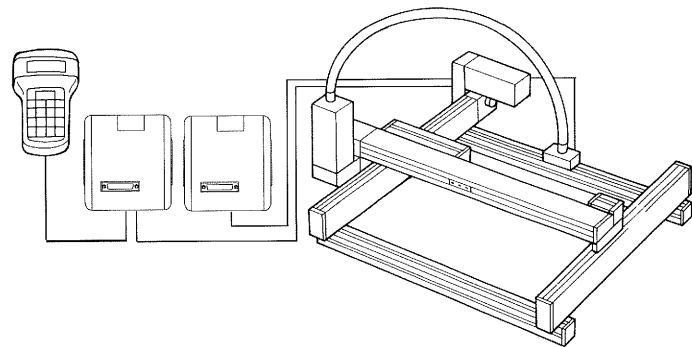
- D1: Slider Length Equal to 2 standard FS Sliders
D2: Slider Length Equal to D1 + 100mm

Basic Combination Example

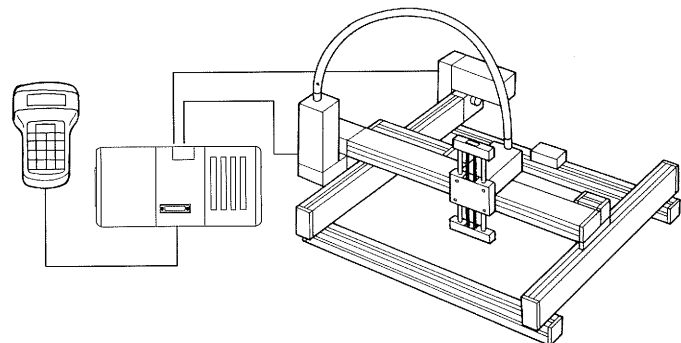
■ Single Axis System



■ System with Two (2) Single-Axis Controllers



■ System with Multi-Axis SEL Controller



WM Series Standard Specifications and Mechanical Drawing

FS-11WO-0

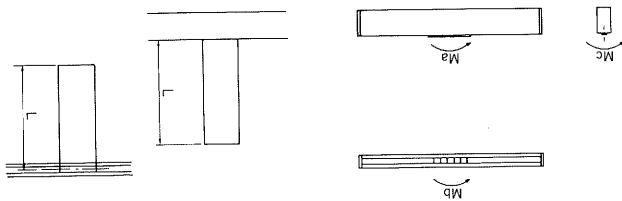
Stroke (mm)	300	400	600	800	1000	1500	2000	2500
Weight (kg)	4.9	5.6	6.7	8.3	9.6	12.9	16.3	19.6

FS-12WO-0

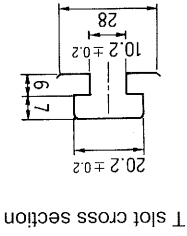
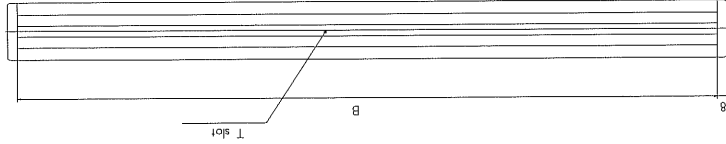
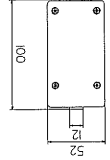
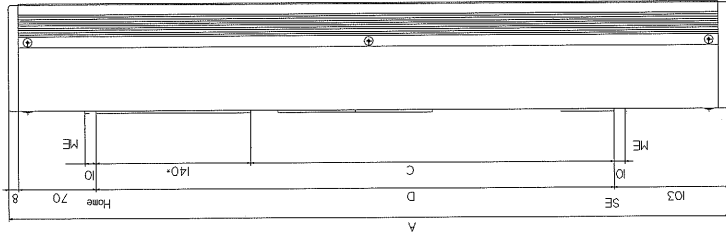
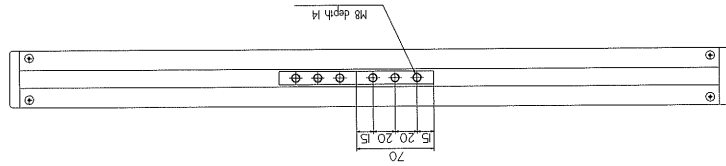
Stroke (mm)	300	400	600	800	1000	1500	2000	2500
Weight (kg)	5.6	6.2	7.6	8.9	10.2	13.6	16.9	20.3

Model	Rated speed	Linear guide	Base	Maximum speed	Static load (*1, 2)	Load moment (*3)	Overhang load length L (*3)
FS-11WO-0	1250	Linear motion guide: SR-20W Linear motion block (1 for 11WO, 2 for 12WO)	Extruded aluminum (A6063S-T5) White alumite treatment	1500 (1250 when ISAC motor is used)	1176 [120]	Ma: 4.4[0.45] Mb: 3.9[0.4] Mc: 5.8[0.6] Slides together: Ma: 27.4[2.8] Mb: 25.4[2.6] Mc: 11.7[1.2] Slides 70mm apart: Ma: 107[11] Mb: 98[10] Mc: 11.7[1.2]	240
FS-12WO-0	1250	Linear motion guide: SR-20W Linear motion block (1 for 11WO, 2 for 12WO)	Extruded aluminum (A6063S-T5) White alumite treatment	1500 (1250 when ISAC motor is used)	1960[200]	Ma: 4.4[0.45] Mb: 3.9[0.4] Mc: 5.8[0.6] Slides together: Ma: 27.4[2.8] Mb: 25.4[2.6] Mc: 11.7[1.2] Slides 70mm apart: Ma: 107[11] Mb: 98[10] Mc: 11.7[1.2]	600 (slides together) 950 (slides 70mm apart)

- *1 Load uniformly distributed on slider. Base affixed to a flat, strong frame.
- *2 Value when load moment is not added. Static load is the maximum value when load is added and differs from the payload.
- *3 See figures at right. Moment caused by static load not to exceed allowable load rail (FS-11NO or 12NO) with the actuator.



*70mm for 11WO



FS-11WO-0

Stroke	300	400	600	800	1000	1500	2000	2500
A	551	651	851	1051	1251	1751	2251	2751
B	635	635	835	1035	1235	1735	2235	2735
C	300	400	600	800	1000	1500	2000	2500
D	370	470	670	870	1070	1570	2070	2570

Stroke Increment is 100mm

FS-12WO-0

Stroke	300	400	600	800	1000	1500	2000	2500
A	651	751	951	1151	1351	1851	2351	2851
B	635	735	935	1135	1335	1835	2335	2835
C	330	430	630	830	1030	1530	2030	2530
D	470	570	770	970	1170	1670	2170	2670

Stroke Increment is 100mm



Artisan Technology Group is your source for quality new and certified-used/pre-owned equipment

- FAST SHIPPING AND DELIVERY
- TENS OF THOUSANDS OF IN-STOCK ITEMS
- EQUIPMENT DEMOS
- HUNDREDS OF MANUFACTURERS SUPPORTED
- LEASING/MONTHLY RENTALS
- ITAR CERTIFIED SECURE ASSET SOLUTIONS

SERVICE CENTER REPAIRS

Experienced engineers and technicians on staff at our full-service, in-house repair center

*InstraView*SM REMOTE INSPECTION

Remotely inspect equipment before purchasing with our interactive website at www.instraview.com ↗

WE BUY USED EQUIPMENT

Sell your excess, underutilized, and idle used equipment. We also offer credit for buy-backs and trade-ins. www.artisanng.com/WeBuyEquipment ↗

LOOKING FOR MORE INFORMATION?

Visit us on the web at www.artisanng.com ↗ for more information on price quotations, drivers, technical specifications, manuals, and documentation

Contact us: (888) 88-SOURCE | sales@artisanng.com | www.artisanng.com