



Artisan Technology Group is your source for quality new and certified-used/pre-owned equipment

- FAST SHIPPING AND DELIVERY
- TENS OF THOUSANDS OF IN-STOCK ITEMS
- EQUIPMENT DEMOS
- HUNDREDS OF MANUFACTURERS SUPPORTED
- LEASING/MONTHLY RENTALS
- ITAR CERTIFIED SECURE ASSET SOLUTIONS

SERVICE CENTER REPAIRS

Experienced engineers and technicians on staff at our full-service, in-house repair center

*InstraView*SM REMOTE INSPECTION

Remotely inspect equipment before purchasing with our interactive website at www.instraview.com ↗

WE BUY USED EQUIPMENT

Sell your excess, underutilized, and idle used equipment. We also offer credit for buy-backs and trade-ins. www.artisanng.com/WeBuyEquipment ↗

LOOKING FOR MORE INFORMATION?

Visit us on the web at www.artisanng.com ↗ for more information on price quotations, drivers, technical specifications, manuals, and documentation

Contact us: (888) 88-SOURCE | sales@artisanng.com | www.artisanng.com

LDM 4407

Temperature Controlled Laser Diode Mount

Product Features

Accepts all 5.6 mm, 9 mm, and flanged laser diode packages

0°C to +70°C temperature range

Quick dip switch configuration for 3 and 4 pin laser diodes

Mounts to optical table or rail for easy integration with any existing optical setup

Offers unobstructed access to the laser

Nitrogen purge port

The LDM-4407 is designed for users who run multiple laser diode experiments. It accepts virtually all small can-style laser diodes, while allowing quick installation and release of any package. Only minimal adjustments are necessary to set up different experiments. The unit's temperature control permits evaluation of laser diode performance over a wide temperature range. The slim, compact profile offers unobstructed access to the laser window, making the unit extremely user-friendly.

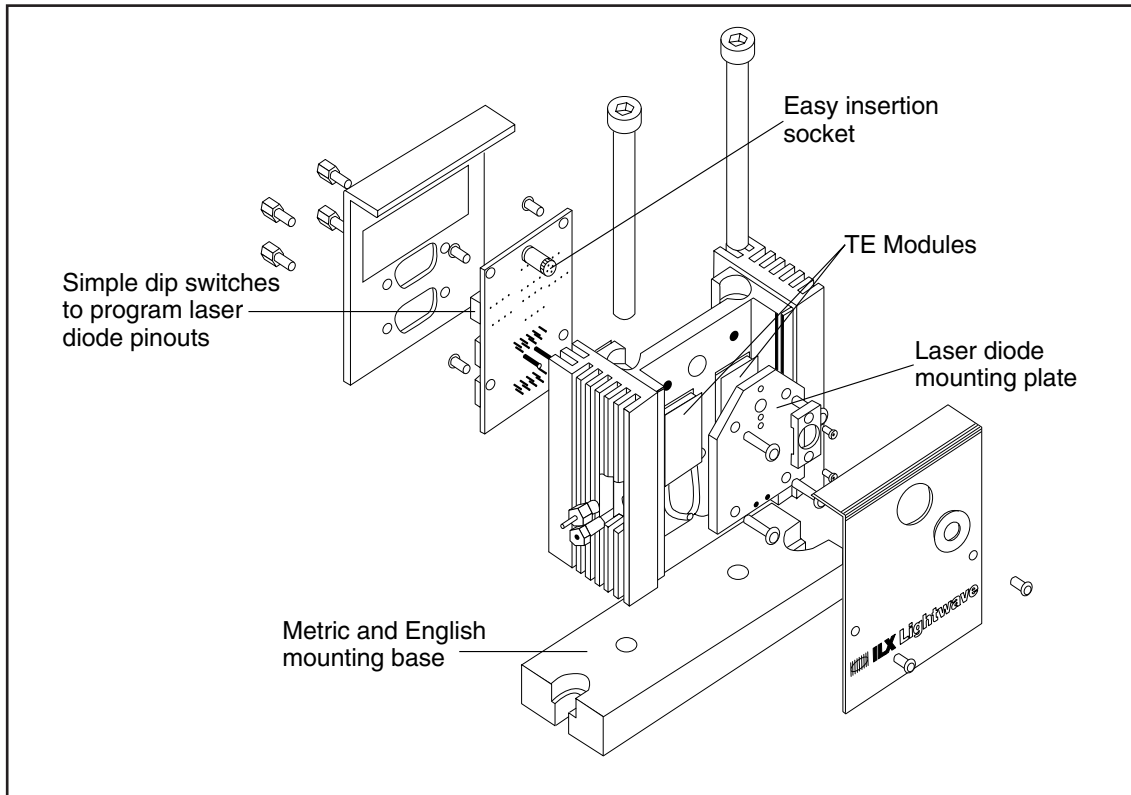


The most configurable
laser diode mount available.

 **ILX** Lightwave
Laser Diode Instrumentation & Test Systems

LDM 4407

Temperature Controlled Laser Diode Mount



Specifications

INPUT CONNECTORS

Two 9-pin D-subminiature: (1) case temperature control
(2) laser diode current control

LASER DIODE PACKAGE

Styles Supported: 5.6 mm and 9 mm cans
Position Repeatability: <200 μ m
Angular Repeatability: <10 mrad
Optical Beam Height: 80 mm

CASE TEMPERATURE CONTROL

Range-Continuous Operation: 0°C–70°C
Sensor Type: 10 k Ω Thermistor

TEMPERATURE RESPONSE

Time (0°C to 25°C):² 120 sec
TE Module Ratings:
 $Q_{max} = 28$ W (2 @ 14 W each)
 $\Delta T_{max} = 70$ °C
 $I_{max} = 6.0$ A
 $V_{max} = 8.0$ V

GENERAL

Size (HxWxD): 36 mm x 110 mm x 95 mm
1.4" x 4.3" x 3.7"
Weight: 0.56 kg (1.2 lbs)

NOTES

- 1 Air cooled on an optical table at 25°C ambient.
- 2 Stabilized to within ± 0.2 °C of the setpoint using a 4 A driver.

ORDERING INFORMATION

LDM-4407	Temperature Controlled Laser Diode Mount
CC-305S	Current Source/Laser Diode Mount Interconnect Cable
CC-505S	TE Controller/Laser Diode Mount Interconnect Cable

In keeping with our commitment to continuous improvement, ILX Lightwave reserves the right to change specifications without notification and without liability for such changes.

 **ILX Lightwave**
Laser Diode Instrumentation & Test Systems
P.O. Box 6310, Bozeman, MT 59771 FAX: 406.586.9405

www.ilxlightwave.com

For information call
1-800-459-9459

International Inquiries: 406-556-2481
email: sales@ilxlightwave.com



Rev. 4/2/03



Artisan Technology Group is your source for quality new and certified-used/pre-owned equipment

- FAST SHIPPING AND DELIVERY
- TENS OF THOUSANDS OF IN-STOCK ITEMS
- EQUIPMENT DEMOS
- HUNDREDS OF MANUFACTURERS SUPPORTED
- LEASING/MONTHLY RENTALS
- ITAR CERTIFIED SECURE ASSET SOLUTIONS

SERVICE CENTER REPAIRS

Experienced engineers and technicians on staff at our full-service, in-house repair center

*InstraView*SM REMOTE INSPECTION

Remotely inspect equipment before purchasing with our interactive website at www.instraview.com ↗

WE BUY USED EQUIPMENT

Sell your excess, underutilized, and idle used equipment. We also offer credit for buy-backs and trade-ins. www.artisanng.com/WeBuyEquipment ↗

LOOKING FOR MORE INFORMATION?

Visit us on the web at www.artisanng.com ↗ for more information on price quotations, drivers, technical specifications, manuals, and documentation

Contact us: (888) 88-SOURCE | sales@artisanng.com | www.artisanng.com