



Artisan Technology Group is your source for quality new and certified-used/pre-owned equipment

- FAST SHIPPING AND DELIVERY
- TENS OF THOUSANDS OF IN-STOCK ITEMS
- EQUIPMENT DEMOS
- HUNDREDS OF MANUFACTURERS SUPPORTED
- LEASING/MONTHLY RENTALS
- ITAR CERTIFIED SECURE ASSET SOLUTIONS

SERVICE CENTER REPAIRS

Experienced engineers and technicians on staff at our full-service, in-house repair center

*InstraView*SM REMOTE INSPECTION

Remotely inspect equipment before purchasing with our interactive website at www.instraview.com ↗

WE BUY USED EQUIPMENT

Sell your excess, underutilized, and idle used equipment. We also offer credit for buy-backs and trade-ins. www.artisanng.com/WeBuyEquipment ↗

LOOKING FOR MORE INFORMATION?

Visit us on the web at www.artisanng.com ↗ for more information on price quotations, drivers, technical specifications, manuals, and documentation

Contact us: (888) 88-SOURCE | sales@artisanng.com | www.artisanng.com



BNC/16™

BNC Signal Termination Box for A/D Converters

Features

- 16 single-ended or 8 differential BNC analog input termination box
- Convenient signal termination for the ADC488A series digitizers & PC plug-in boards
- BNC input connectors & DB25 output connectors ensure signal integrity
- 19 in. rack-mount case provides electrical shielding



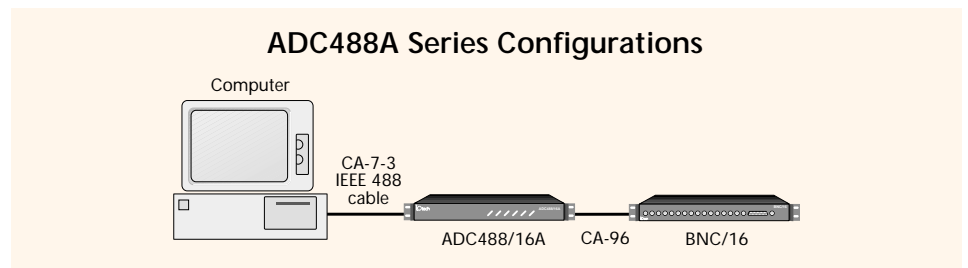
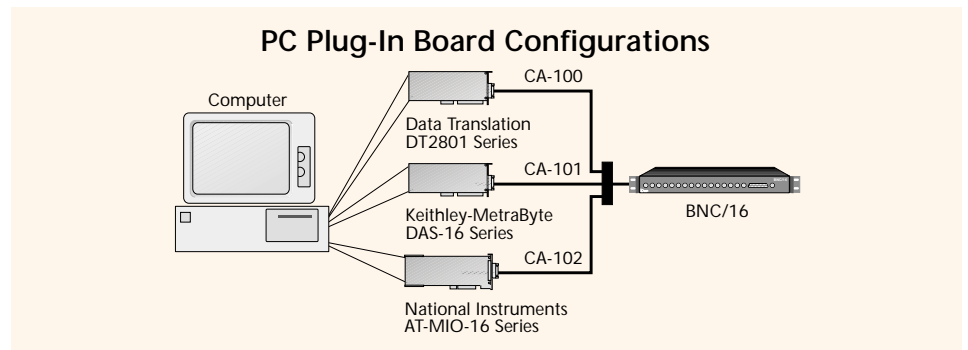
The BNC/16™ is a passive universal interface that provides data acquisition instruments and other I/O devices with a convenient method for terminating up to 16 analog input signals. The unit's 16 easy-to-access BNC connectors can be configured as 16 single-ended inputs, 8 differential inputs, or a combination of single-ended and differential inputs via internal switch settings.*

Analog signals, commons, and shields are isolated from the chassis, reducing the chance of unwanted ground loops. The unit's front and back panels feature both female DB25 connectors for parallel access to all I/O signals and female BNC connectors for access to a separate trigger line. The BNC/16 can be front or rear rack-mounted; optional mating brackets are available for mounting a BNC/16 to an ADC488A series digitizer. Optional shielded cable assemblies provide convenient signal termination to the ADC488A series digitizer. Additionally, shielded cable assemblies are available for PC plug-in boards from Keithley MetraByte, Data Translation, and National Instruments.

Specifications

Input Connector Type: BNC (female)
Output Connector Type: 25-pin D-shell (female) on front and back panels
Environment: 0° to 35°C; 0 to 75% RH, non-condensing
Input Configuration: 16 single-ended or 8 differential
Dimensions: 425 mm W x 203 mm D x 45 mm H (16.75" x 8" x 1.75")

BNC/16 provides data acquisition devices with convenient BNC inputs



Ordering Information

Description	Part No.
Universal BNC signal termination interface and rack mount kit	BNC/16
Mating rack-mount bracket to ADC488A series digitizers	HA-74
ADC488A series mating cable	CA-96
DT2801™ series mating cable	CA-100
DAS-16™ series mating cables:	
differential	CA-101DE
single-ended	CA-101SE
AT-MIO-16™ series mating cable	CA-102

Related Products

Hardware	
ADC488A/16A	p. 243
ADC488/8SA	p. 246

QUICK FIND

For up-to-date information on products, and to order online, visit the IOTech Web site and enter the corresponding page number in the QUICK FIND field.



* Accomplished by disconnecting the low inputs of the differential input and tying the outputs to analog common

QUICK FIND



Artisan Technology Group is your source for quality new and certified-used/pre-owned equipment

- FAST SHIPPING AND DELIVERY
- TENS OF THOUSANDS OF IN-STOCK ITEMS
- EQUIPMENT DEMOS
- HUNDREDS OF MANUFACTURERS SUPPORTED
- LEASING/MONTHLY RENTALS
- ITAR CERTIFIED SECURE ASSET SOLUTIONS

SERVICE CENTER REPAIRS

Experienced engineers and technicians on staff at our full-service, in-house repair center

*InstraView*SM REMOTE INSPECTION

Remotely inspect equipment before purchasing with our interactive website at www.instraview.com ↗

WE BUY USED EQUIPMENT

Sell your excess, underutilized, and idle used equipment. We also offer credit for buy-backs and trade-ins. www.artisanng.com/WeBuyEquipment ↗

LOOKING FOR MORE INFORMATION?

Visit us on the web at www.artisanng.com ↗ for more information on price quotations, drivers, technical specifications, manuals, and documentation

Contact us: (888) 88-SOURCE | sales@artisanng.com | www.artisanng.com