



Artisan Scientific

QUALITY INSTRUMENTATION ... GUARANTEED

Looking for more information?

Visit us on the web at <http://www.artisan-scientific.com> for more information:

- Price Quotations
- Drivers
- Technical Specifications, Manuals and Documentation

Artisan Scientific is Your Source for Quality New and Certified-Used/Pre-owned Equipment

- Tens of Thousands of In-Stock Items
- Hundreds of Manufacturers Supported
- Fast Shipping and Delivery
- Leasing / Monthly Rentals
- Equipment Demos
- Consignment

Service Center Repairs

Experienced Engineers and Technicians on staff in our State-of-the-art Full-Service In-House Service Center Facility

InstraView™ Remote Inspection

Remotely inspect equipment before purchasing with our Innovative InstraView™ website at <http://www.instraview.com>

We buy used equipment! We also offer credit for Buy-Backs and Trade-Ins

Sell your excess, underutilized, and idle used equipment. Contact one of our Customer Service Representatives today!

Talk to a live person: 888-88-SOURCE (888-887-6872) | Contact us by email: sales@artisan-scientific.com | Visit our website: <http://www.artisan-scientific.com>



DAC488HR™

16-bit D/A Converter with Digital I/O & IEEE 488

Features

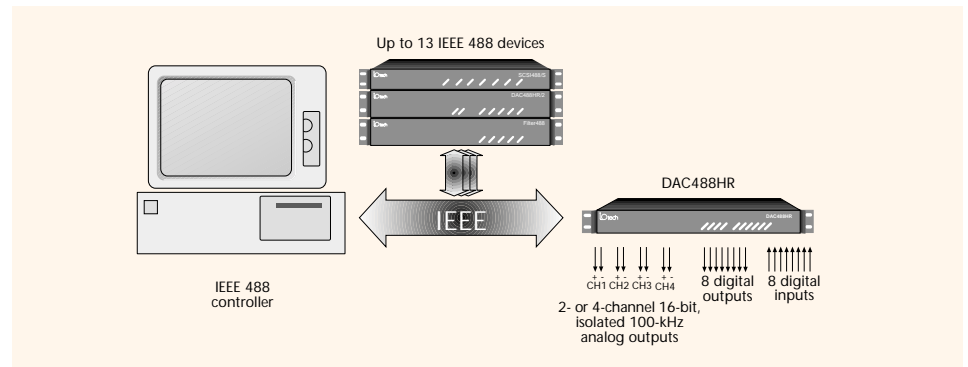
- Two or four isolated 16-bit outputs
- 100-kHz/channel update rate
- 480 Ksamples/channel max buffer
- ±1, ±2, ±5, & ±10 VFS programmable unipolar & bi-polar output ranges
- One-shot, step, burst, waveform, & continuous output modes
- GET, external TTL, IEEE command, & time event trigger sources
- ASCII, binary, integer decimal, & hexadecimal data formats
- Standard sine, square, & triangle waveform generation
- 500 VDC channel-to-channel isolation
- Eight digital inputs & eight digital outputs
- 100 mA high-current outputs
- LabVIEW® drivers

The DAC488HR™ is an IEEE 488 programmable 16-bit D/A converter. It can be configured with either two or four output channels, which are optically isolated from each other and from IEEE 488 common by up to 500 VDC. Each channel is independently programmable for 1, 2, 5, or 10 VFS unipolar or bipolar output, specified as either bits or volts in ASCII, integer, hexadecimal, or binary format. Multiple output modes, multiple clock and trigger sources, and buffer management enable the DAC488HR to function as a precision voltage source, a function generator, or an arbitrary waveform generator.

Waveforms captured by IOtech's 16-bit, 100-kHz ADC488A series (see p. 243) digitizers can be edited and transferred to the DAC488HR for output. The ADC488A™ series and DAC488HR in combination form a powerful waveform I/O system. Typical applications include transducer simulation, disk drive testing, vibration analysis, and materials testing.



The versatile DAC488HR functions as a voltage source, function generator, and an arbitrary waveform generator



Trigger Modes

The DAC488HR's five trigger modes support a wide variety of applications.

Bus Control Mode. Each port is programmed to output a specified value under direct control from the IEEE 488 bus. This mode is useful for maintaining an initial value until a specified condition occurs.

Step Mode. When a specified trigger is detected, a value is output from the buffer, and the DAC488HR is automatically re-armed until the specified buffer count is reached. The last specified buffer value is held as the output.

Burst Mode. Functionally identical to step mode, except that waveforms rather than single values are output.

Waveform Mode. Based on recognition of a trigger, the waveform buffer is output for a specified number of cycles.

Continuous Mode. Data is continuously input from the IEEE 488 bus and output to an analog channel at rates up to 200 Kbytes/s upon the detection of a specified trigger. This mode is ideally suited for audio, speech, and other applications that require long duration waveforms.



DAC488HR™

General Information

DAC488HR Design

Four independent analog output modules are optically isolated from the IEEE 488 bus, digital circuitry, earth ground, and chassis common by up to 500 VDC. Each module consists of a microcontroller and expandable data buffer. A common update clock is shared by all ports, ensuring synchronization. Four internal clock sources are available to meet a wide variety of applications including CD and DAT testing. An external clock source (up to 10 MHz) allows synchronization to an external frequency reference and can be used to synchronize the DAC488HR to the ADC488A series (see p. 243) digitizers for stimulus/response applications.

Multiple Trigger Sources

All DAC488HR ports share a common trigger source, ensuring multi-channel synchronization for applications with critical time and phase relationships. Trigger sources for the DAC488HR include trigger command, IEEE 488 Group Execute Trigger (GET), and external TTL (rising or falling edge) signal input. Triggers can also be initiated on periodic intervals from 2 ms to 65,535 ms, specified in 1 ms increments. The DAC488HR provides a delayed TTL-level trigger output for stimulus/response applications in which the device under test (DUT) must attain a steady state prior to measurement. This function allows users to specify a time delay, in update clock counts from 1 to 65,535, between the DAC488HR's output and the trigger signal's output.

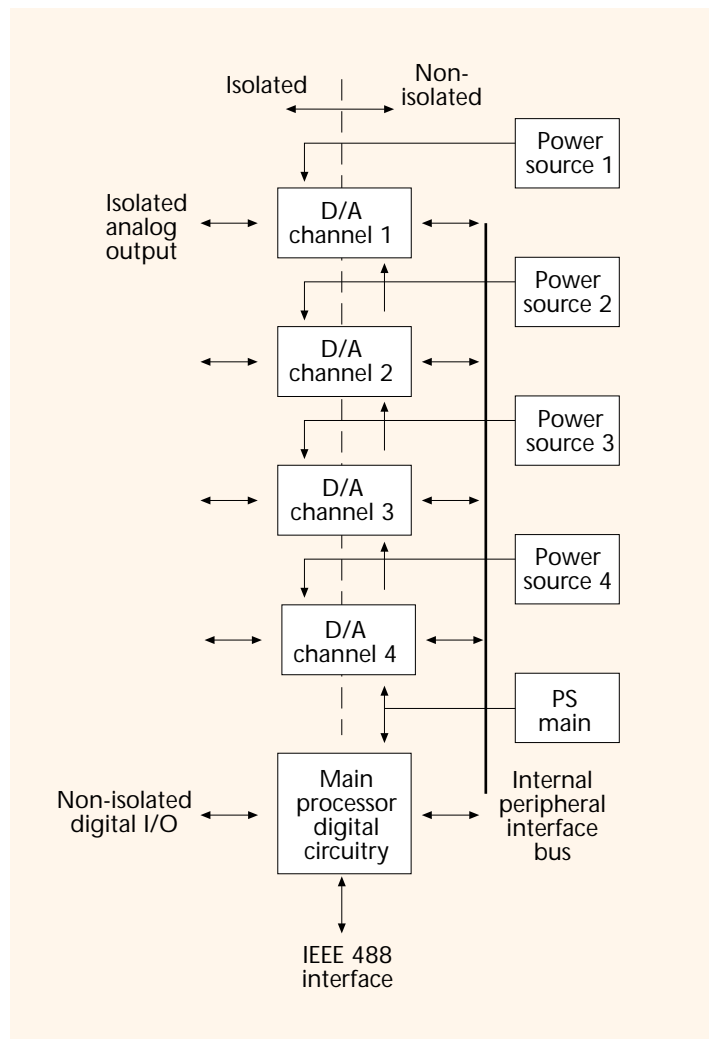
Multiple Clock Sources

The DAC488HR features four internal clock sources and accommodates an external clock source (up to 10 MHz) for updating the output ports. A 16-bit counter is used to provide update rates to meet application requirements. For example, the 200-kHz clock and the 5-MHz clock can be divided down to any rate between 3 Hz and 100 kHz for general purpose applications; the 5.6448-MHz clock can simulate 44.1-kHz audio CD signals; and the 6.144-MHz can simulate 48-kHz audio DAT signals. For synchronizing external circuitry to DAC488HR output, an update clock signal is also provided.

Buffer Management

The DAC488HR's step, burst, waveform, and continuous trigger output modes can be used with flexible buffer management functions to output stepped voltages, any one of five standard waveforms, or user-defined arbitrary waveforms. Waveforms are loaded from the IEEE 488 bus into the DAC488HR's resident 8 Ksample buffer at rates up to 500 Kbytes/s.

To output standard predefined sine, square, and triangle waveforms, the user specifies the starting memory location, number of samples, max/min values, duty cycle, and the number of times the cycle is to be repeated or "looped." The "looping"



Each DAC488HR output port features a separate microprocessor and buffer memory for independent waveform management

function outputs specified buffer segments up to the full available buffered size for repetition up to 65,535 times. This conserves memory space by allowing long periodic waveforms to be defined in a single cycle. Additionally, for applications that exceed the DAC488HR's internal buffer capacity, waveforms can be output continuously from an IEEE 488 controller at up to 200 Kbytes/s via the IEEE 488 bus.

Nonvolatile Storage

The DAC488HR uses resident nonvolatile random access memory (NVRAM) to store the calibration constants determined during digital calibration, and to store its power-up default configuration.

QUICK FIND



DAC488HR™

General Information

Functional Requirement	Waveform(s)	Typical Application
Continuously output a standard wave function under program control		Standard function generator outputs for general purpose applications
Output a series of voltage values based on TTL triggers		Sequenced V out for controlling power supplies or other analog programmable instruments
Initiate a trigger delay from 1 to 65,535 update clock pulses		Allows a device under test (DUT) to attain a steady state prior to measurement
Synchronously output multiple waveforms under program control		Ideal for stimulus/response applications with critical time and phase relationships
Output a standard waveform acquired by the ADC488A series digitizer		Ideal for simulating complex signals such as EKGs and contact bounce
Continuously output a large arbitrary waveform from the IEEE 488 bus at up to 200 Kbytes/s		For audio system testing, speech research, and other tests requiring long-time waveform generation

Stimulus/Response System

When configured with an ADC488A series A/D converter, the DAC488HR is well-suited for stimulus/response testing. For synchronous operation in which acquisition must begin simultaneously with the stimulus output, the DAC488HR's TTL trigger output is connected directly with the ADC488A's TTL trigger input; for non-synchronous operation in which acquisition must begin at a specified time after the stimulus output, the DAC488HR's trigger output can be "delayed" up to 65,535 update clock counts.

Multi-DAC488HR Synchronization

Multiple DAC488HRs can be configured in master/slave mode to synchronously output data either from their internal buffers, or continuously from the IEEE 488 bus. When daisy-chained together using the CA-112 master-slave cable, the number of DAC488HRs in a system is limited only by the number of available IEEE 488 addresses, and the trigger "latency" between each unit is 60 ns*. For applications that require non-additive trigger latencies, the DAC488HRs can be configured in parallel, limiting total system trigger latency to 60 ns.

Support Software

The DAC488HR series is shipped with QuickBasic® and C sample programs.

Free VIs (Virtual Instruments) are available from IOtech that enable the immediate integration of the DAC488HR series into existing LabVIEW® applications. Each of these ready-to-use VIs provide immediate access to common DAC488HR functions, and both include source code that can be modified to meet specific application requirements.

* A system with one master and three slave units will have a total system trigger latency of 180 ns



DAC488HR™

Specifications & Ordering Information

Specifications

Analog Output

Number of Channels: 2 or 4

DC Output Voltage/Resolution

1V Range: ±1V, 30.5 µV/bit

2V Range: ±2V, 61 µV/bit

5V Range: ±5V, 152 µV/bit

10V Range: ±10V, 305 µV/bit

DC Output Current: ±10 mA max

Accuracy (25 ±5°C)

1V Range: ±0.02% ±50 µV

2V Range: ±0.02% ±100 µV

5V Range: ±0.02% ±250 µV

10V Range: ±0.02% ±500 µV

Polarity: Unipolar or bipolar (software selectable)

Output Impedance: 10 Ohm

Zero Offset: 50 to 500 µV

Linearity: 0.005%

Differential Linearity: 0.001%

Update Rate: 100 Ksamples/s (max per channel); all signals from the data buffer are 100 Ksamples/s max; any single channel from the IEEE 488 bus to output is 100 Ksamples/s max; any two channels from the IEEE 488 bus to output are 50 Ksamples/s max; any two channels from the IEEE 488 bus to multiple DAC488HR's are 20 Ksample/s

Settling Time: 6 µs to 0.003% FSR

Temperature Coefficient: (±0.002%±100 µV)/°C; 0° to 20°C, 20° to 30°C, and 30° to 50°C

Channel-to-Channel Isolation: 500V max

Channel-to-Digital Common and Chassis Isolation: 500V max

Connectors: DB9 (female) per channel; mating connector supplied

Digital I/O

Digital Inputs: 8 TTL level compatible, external TTL trigger, external TTL clock input

Digital Outputs: 8 TTL level compatible, also configurable as open collector with 100 mA drive, and delayed trigger output signal, update clock output.

Connectors: DB15 (female) per input and output port; mating connector supplied

IEEE 488 Specifications

Interface Subsets: SH1, AH1, T6, TE6, L4, LE4, SR1, PP0, RL0, DC1, DT2, C0, and E2

Connector: Standard IEEE 488 connector with metric studs

Data Storage and Output

Data Buffer: 8 Ksamples standard (per channel); 128 Ksample option or 480 Ksample option (per channel)

Data Format: ASCII, integer decimal, hexadecimal, and binary

Output Modes: Direct, step, burst, waveform, and continuous

Trigger Sources: GET, periodic time interval, external (TTL level), and command

Trigger Latency: Daisy chain mode; 60 ns (additive per unit) Parallel mode; 60 ns (non-additive system maximum)

General

Power: 90 to 125 or 210 to 250 VAC, 50/60 Hz; 20 VA max

Environment: 0° to 50°C; 0 to 95% RH, non-condensing

Controls: Power switch, external dip switch for IEEE address

Dimensions: 425 mm W x 305 mm D x 45 mm H (16.75" x 12" x 1.75")

Weight: 3.6 kg (7.9 lbs)

Supplied Accessories: Analog output connector, digital I/O port connector

Ordering Information

Description	Part No.
Isolated 2-channel converter with 8 Ksample memory per channel; includes analog output connector; digital I/O port connector; and rack-mount kit	DAC488HR/2
Isolated 4-channel converter with 8 Ksample memory per channel; includes analog output connector; digital I/O port connector; and rack-mount kit	DAC488HR/4
128 Ksample memory expansion for one channel	MEMX3*
480 Ksample memory expansion for one channel	MEMX4*
Shielded cable with male DB9 connector for analog output, 6 ft.	CA-89
Shielded cable with male DB15 connector for digital I/O, 6 ft.	CA-90
DAC488HR master/slave cable, 3 ft.	CA-112
Shielded IEEE 488 cable, 6 ft.	CA-7-3
LabVIEW® driver	LBV/DAI

Related Products

Hardware	
ADC488/16A	p. 243
ADC488/8SA	p. 246
DAC488	p. 252
Personal488 series	p. 263
Serial Communication Boards	p. 297

QUICK FIND

For up-to-date information on products, and to order online, visit the IOtech Web site and enter the corresponding page number in the QUICK FIND field.



CA-89, Shielded cable with male DB9 connectors for DAC488HR analog output, 6 ft.



CA-90, Ribbon cable with male DB15 connector for DAC488HR digital I/O, 6 ft.

* Memory expansion modules are ordered on a per channel basis. They must be installed and calibrated at the factory. Contact factory for details.

QUICK FIND

This datasheet has been downloaded from:

www.DatasheetCatalog.com

Datasheets for electronic components.



Artisan Scientific

QUALITY INSTRUMENTATION ... GUARANTEED

Looking for more information?

Visit us on the web at <http://www.artisan-scientific.com> for more information:

- Price Quotations
- Drivers
- Technical Specifications, Manuals and Documentation

Artisan Scientific is Your Source for Quality New and Certified-Used/Pre-owned Equipment

- Tens of Thousands of In-Stock Items
- Hundreds of Manufacturers Supported
- Fast Shipping and Delivery
- Leasing / Monthly Rentals
- Equipment Demos
- Consignment

Service Center Repairs

Experienced Engineers and Technicians on staff in our State-of-the-art Full-Service In-House Service Center Facility

InstraView™ Remote Inspection

Remotely inspect equipment before purchasing with our Innovative InstraView™ website at <http://www.instraview.com>

We buy used equipment! We also offer credit for Buy-Backs and Trade-Ins

Sell your excess, underutilized, and idle used equipment. Contact one of our Customer Service Representatives today!

Talk to a live person: 888-88-SOURCE (888-887-6872) | Contact us by email: sales@artisan-scientific.com | Visit our website: <http://www.artisan-scientific.com>