



Artisan Technology Group is your source for quality new and certified-used/pre-owned equipment

- FAST SHIPPING AND DELIVERY
- TENS OF THOUSANDS OF IN-STOCK ITEMS
- EQUIPMENT DEMOS
- HUNDREDS OF MANUFACTURERS SUPPORTED
- LEASING/MONTHLY RENTALS
- ITAR CERTIFIED SECURE ASSET SOLUTIONS

SERVICE CENTER REPAIRS

Experienced engineers and technicians on staff at our full-service, in-house repair center

*InstraView*SM REMOTE INSPECTION

Remotely inspect equipment before purchasing with our interactive website at www.instraview.com ↗

WE BUY USED EQUIPMENT

Sell your excess, underutilized, and idle used equipment. We also offer credit for buy-backs and trade-ins. www.artisanng.com/WeBuyEquipment ↗

LOOKING FOR MORE INFORMATION?

Visit us on the web at www.artisanng.com ↗ for more information on price quotations, drivers, technical specifications, manuals, and documentation

Contact us: (888) 88-SOURCE | sales@artisanng.com | www.artisanng.com

Digital HS

User's Manual



IOtech, Inc.

25971 Cannon Road
Cleveland, OH 44146

Phone: (440) 439-4091

Fax: (440) 439-4093

E-mail: sales@iotech.com

Internet: <http://www.iotech.com>

Digital HS User's Manual

p/n Digital HS - 901

© 1998 by IOtech, Inc. — Printed in the United States of America

Warranty

Your IOTech warranty is as stated on the *product warranty card*. You may contact IOTech by phone, fax machine, or e-mail in regard to warranty-related issues.

Phone: (440) 439-4091, fax: (440) 439-4093, email: sales@iotech.com

Limitation of Liability

IOTech, Inc. cannot be held liable for any damages resulting from the use or misuse of this product.

Copyright, Trademark, and Licensing Notice

All IOTech documentation, software, and hardware are copyright with all rights reserved. No part of this product may be copied, reproduced or transmitted by any mechanical, photographic, electronic, or other method without IOTech's prior written consent. IOTech product names are trademarked; other product names, as applicable, are trademarks of their respective holders. All supplied IOTech software (including miscellaneous support files, drivers, and sample programs) may only be used on one installation. You may make archival backup copies.

FCC Statement



IOTech devices emit radio frequency energy in levels compliant with Federal Communications Commission rules (Part 15) for Class A devices. If necessary, refer to the FCC booklet *How To Identify and Resolve Radio-TV Interference Problems* (stock # 004-000-00345-4) which is available from the U.S. Government Printing Office, Washington, D.C. 20402.

CE Notice



Many IOTech products carry the CE marker indicating they comply with the safety and emissions standards of the European Community. As applicable, we ship these products with a Declaration of Conformity stating which specifications and operating conditions apply.

Warnings and Cautions



Refer all service to qualified personnel. This caution symbol warns of possible personal injury or equipment damage under noted conditions. Follow all safety standards of professional practice and the recommendations in this manual. Using this equipment in ways other than described in this manual can present serious safety hazards or cause equipment damage.



This warning symbol is used in this manual or on the equipment to warn of possible injury or death from electrical shock under noted conditions.



This ESD caution symbol urges proper handling of equipment or components sensitive to damage from electrostatic discharge. Proper handling guidelines include the use of grounded anti-static mats and wrist straps, ESD-protective bags and cartons, and related procedures.

Specifications and Calibration

Specifications are subject to change without notice. Significant changes will be addressed in an addendum or revision to the manual. As applicable, IOTech calibrates its hardware products to published specifications. Periodic hardware calibration is not covered under the warranty and must be performed by qualified personnel as specified in this manual. Improper calibration procedures may void the warranty.

Quality Notice



IOTech has maintained ISO 9001 certification since 1996. Prior to shipment, we thoroughly test our products and review our documentation to assure the highest quality in all aspects. In a spirit of continuous improvement, IOTech welcomes your suggestions.

Introduction

1.1 General Description

The Digital488HS/32 is a high speed IEEE 488 to digital I/O interface providing the fastest possible communication between the IEEE 488 bus and 34 TTL compatible digital I/O lines (17 inputs and 17 outputs). Both the input lines and the output lines have an associated pair of handshake lines. The Data Available (iDAV and oDAV for input and output respectively) line is driven by the data source to indicate that the receiver should accept new data. The Busy (iBusy and oBusy for input and output respectively) line is driven by the receiver to indicate that the source should not send new data. Each handshake line is switch selectable for either active high or active low operation.

The input and output ports are separated into one 8-bit (first byte) port and one 9-bit (second byte) port. There are two separate switch selectable operating modes for both the input and output data ports, 8-bit and 16-bit. In the 8-bit mode, 8-bit data are transferred to or from the second byte port with the IEEE 488 bus control line EOI as the 9th bit. In the 16-bit mode, the first eight bits of data are transferred to or from the first byte port followed by the next eight bits with EOI to or from the second byte port. The user connects the external I/O device to correspond to the desired byte ordering (most significant byte first or least significant byte first). Both input and output ports are separately switch selectable for either active high or active low output data operation.

The output port provides switch selection for each bit of high or low on power-on, reset, or clear.

There are two switch enabled conditions for which the Digital488HS/32 can request service with SRQs: Output Port Empty and Input Port Full. This status can also be determined by Parallel Poll via switch selectable responses.

Some of the control lines available are:

- oClear** This output line provides an active 1 μ Sec pulse upon detection of the IEEE 488 multiline commands DCL and SDC. This control line is switch selectable for either active high or active low operation.

- oTrigger** This output line provides an active 1µSec pulse upon detection of the IEEE 488 multiline command GET. This control line is switch selectable for either active high or active low operation.
- /oReset** This output line provides an active low signal for approximately 100msec at power on and for the duration of the time /iReset is active plus approximately 100msec.
- /iReset** This input line provides an external method to power-on cycle the Digital488HS/32. When this line is low, the /oReset line also becomes active low.
- SB1** Serial Poll Bit #1. An external input to the Digital488HS/32 serial poll register which can be read via IEEE 488 serial polls. This condition may also be switch selected to generate an SRQ on the IEEE 488 bus.
- SB2** Serial Poll Bit #2. An external input to the Digital488HS/32 serial poll register which can be read via IEEE 488 serial polls. This condition may also be switch selected to generate an SRQ on the IEEE 488 bus.
- /OE** The output buffers on the digital output port are placed in tri-state when this line is in an inactive (high) state. This allows use of the Digital488HS/32 as a bidirectional interface, connecting the input and output port data lines together.

1.2 Available Accessories

Additional accessories that can be ordered for the Digital488HS/32 include:

CA-7-1	1.5 foot IEEE 488 cable
CA-7-3	6 foot shielded IEEE 488 cable
CA-7-4	6 foot reverse entry IEEE 488 cable
CN-20	Right angle IEEE 488 adapter, male and female
CN-22	IEEE 488 multi-tap bus strip, four female connectors in parallel
CN-23	IEEE 488 panel mount feed-through connector, male and female
DigitalHS-901	Additional Instruction Manual

1.3 Specifications*

Digital I/O Capability: 16-bit TTL compatible inputs, 16-bit TTL compatible outputs. Also included are two output and two input data handshake lines, two status bit lines, clear output, trigger output, reset input, input END of data and output END of data lines.

Logic Levels:

Output : $V_{OH} = 2 \text{ volts min @ } I_{OH} = -15 \text{ mA ; } 3.4 \text{ volts typ @ } I_{OH} = -3 \text{ mA}$
 $V_{OL} = 0.5 \text{ volts max @ } I_{OL} = 24 \text{ mA ; } 0.4 \text{ volts MAX @ } I_{OL} = 12 \text{ mA}$

Input: $V_{IH} = 2 \text{ volts min}$
 $V_{IL} = 0.8 \text{ volts max}$

$I_{IH} = 0.02 \text{ mA max @ } V_{IN} = 2.7 \text{ volts (Data Input Lines)}$

$I_{IL} = -0.20 \text{ mA max @ } V_{IN} = 0.4 \text{ volts (Data Input Lines)}$

$I_{IL} = -0.50 \text{ mA max @ } V_{IN} = 0.4 \text{ volts (Control \& Handshake Input Lines)}$

$I_{IH} = -0.30 \text{ mA max @ } V_{IN} = 2.7 \text{ volts (Control \& Handshake Input Lines)}$

Logic Sense: Switch selectable power on and Device Clear (DCL & SDC) levels on output data lines. Switch selectable logic inversion for input data port, output data port, input handshake lines, output handshake lines, END lines, trigger and clear lines.

IEEE 488.1 Specification Subsets:

SH1, AH1, T6, TE0, L3, LE0, SR1, PP2, RL0, DC1, DT1, C0, E2

DIO Drivers: Tri-State drivers are used on all DIO lines except during PPAS (Parallel Poll Active State) when open collector drivers are used.

Connector: Standard IEEE 488.1 connector with metric studs.

Data Transfer Speed: 1,000,000 bytes/sec (handshake lines connected externally together)

SRQ: Switch selectable SRQs on Input Port Full, Output Port Empty, External Service Bit #1 and External Service Bit #2.

Parallel Poll: Switch selectable response on Input Port Full and Output Port Empty.

General

Indicators: LEDs for Talk, Listen, SRQ, Input Port Full, Output Port Empty and Power.

Power: 105-125V or 210-250v, 50/60 Hz; 60 VA max

Environment: 0 to 50°C; 0 to 70% RH to 35°C. Linearly derate RH 3%/°C from 35° to 50°C

Dimensions: 425mm wide x 45 mm high x 203 mm deep (16.75" x 1.75" x 8")

Weight: 4.5 kg (10 lbs)

Controls: Power switch, external switch for IEEE 488 bus address, internal switches for output data power on levels, SRQ and *ist* enable, output data logic sense, input data logic sense and logic sense for Trigger, Clear, handshake and END lines.

Supplied Accessories: Two (2) mating solder-tab I/O connectors, power cord, manual and rack mount kit.

*Specifications Subject to Change Without Notice

1.4 Abbreviations

The following IEEE 488 abbreviations may be used throughout this manual.

addr n	IEEE bus address "n"
ATN	Attention line
CA	Controller Active
CR	Carriage Return
data	Data String
DCL	Device Clear
GET	Group Execute Trigger
GTL	Go To Local
LA	Listener Active
LAG	Listen Address Group
LF	Line Feed
LLO	Local Lock Out
MLA	My Listen Address
MTA	My Talk Address
PPC	Parallel Poll Configure
PPU	Parallel Poll Unconfigure
SC	System Controller
SDC	Selected Device Clear
SPD	Serial Poll Disable
SPE	Serial Poll Enable
SRQ	Service Request
TA	Talker Active
TAD	Talker Address
TCT	Take Control
term	Terminator
UNL	Unlisten
UNT	Untalk
*	Unasserted

Getting Started

2.1 Inspection

The Digital488HS/32 was carefully inspected, both mechanically and electrically, prior to shipment. After receiving the Digital488HS/32, carefully unpack all items from the shipping carton and check for any obvious signs of physical damage. Report any such damage found to the shipping agent immediately. Retain all shipping materials in the event that shipment back to the factory is necessary.

Every Digital488HS/32 is shipped with the following items:

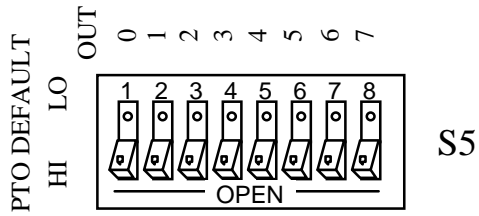
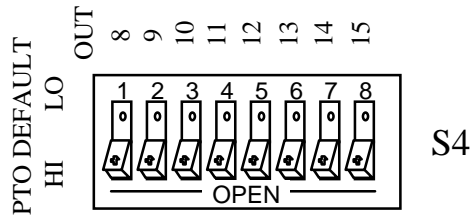
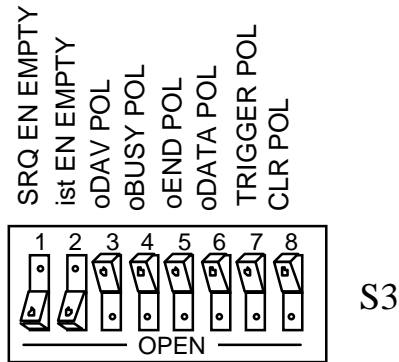
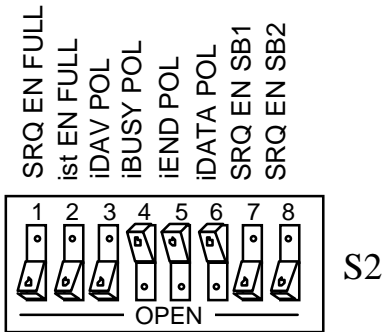
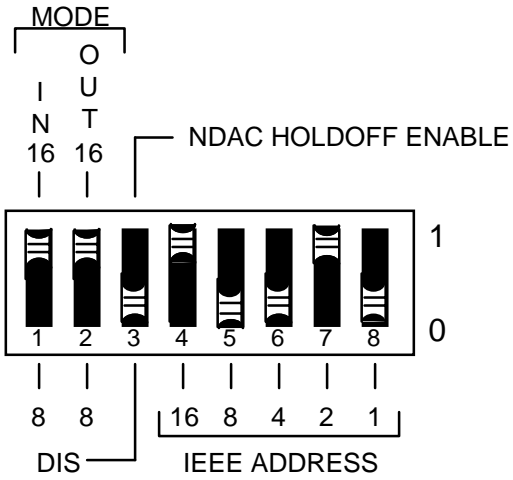
- Digital488HS/32 High Speed Digital I/O Interface
- DigitalHS-901 Instruction Manual
- 167-0800 Accessory Kit, which includes:
 - CA-1 Power Cable
 - FU-1-.25 1/4 Amp Replacement Fuse
 - FE-1 Rubber Feet (4)
 - EN-6 Rack Ears (2)
 - HA-41-6 Rack Ear Screws (4)
 - CN-19-37 37 Pin Male Connectors (2)
 - CN-17-37 Hood for CN-19-37 (2)

2.2 Configuration

The Digital488HS/32 has one external eight position switch, accessible from the rear panel, and four internal eight position configuration switches (S2, S3, S4 and S5).

2.2.1 Factory Defaults

The Digital488HS/32 is factory configured to the following switch settings.



2.2.2 Internal Switch Settings

The internal settings on the Digital488HS/32 are for the line voltage, input and output settings and the PTO default settings.

WARNING

Disconnect the power cord from the ac line and from the Digital488HS/32 prior to disassembly. Disconnect any cables prior to disassembly.

WARNING

Never open the Digital488HS/32 case while it is connected to the ac line. Failure to observe this warning may result in equipment failure, personal injury or death.

Place the interface on a flat surface. Remove the four (4) screws located at each corner. Carefully remove the top cover. Modify the parameters appropriate for your installation and carefully re-assemble the interface using the reverse of the procedure described.

2.2.2.1 Line Voltage Selection

The Digital488HS/32 may be operated from 110 or 220 V ac. The unit was shipped from the factory set for the operating voltage marked on the label placed over the power jack on the rear panel. To change the operating voltage, change the setting of internal switch S7 according to the following instructions.

WARNING

The Digital488HS/32 is intended for INDOOR USE ONLY. Failure to observe this warning could result in equipment failure, personal injury or death.

1. The line voltage selection switch (S7) is located below the main power supply transformer (T2). Insert the tip of a small screwdriver into the slot of the switch and move the switch so the desired line voltage appears on the switch.
2. Install a power line fuse appropriate for the line voltage. The fuse is located below the internal line voltage switch (S7). Gently pull upward on the plastic fuse housing. Remove the entire housing with the fuse inside. Select a fuse with the proper rating (see table below).

Line Voltage	Fuse Type
105-125V	1/2A 250V, Slo Blo, 3AG
210-250V	1/4A 250V, Slo Blo, 3AG

A fuse with a rating higher than that specified may cause damage to the instrument. If the instrument repeatedly blows fuses, contact the factory.

3. Open the fuse housing by pushing up on the tab on the bottom of the housing.
4. Replace the fuse and close the housing. Insert the fuse housing into the fuse holder.
5. Make note of the new voltage setting for later reference and carefully re-assemble the unit.

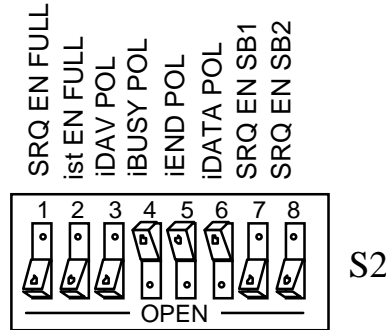
2.2.2.2 Input Setup

Several features are available for the input port. These features are selected by internal switch S2, labeled INPUT SETUP. The factory defaults for these feature selections are shown on the next page.

The features include:

- SRQ On Input Port Full (Serial Poll Feature)
- SRQ On Status Bit 1 - SB1 (Serial Poll Feature)
- SRQ On Status Bit 2 - SB2 (Serial Poll Feature)
- ist* Enable on Input Port Full (Parallel Poll Feature)
- Polarity Selection for Input Data, iEND, iDAV and iBusy Lines

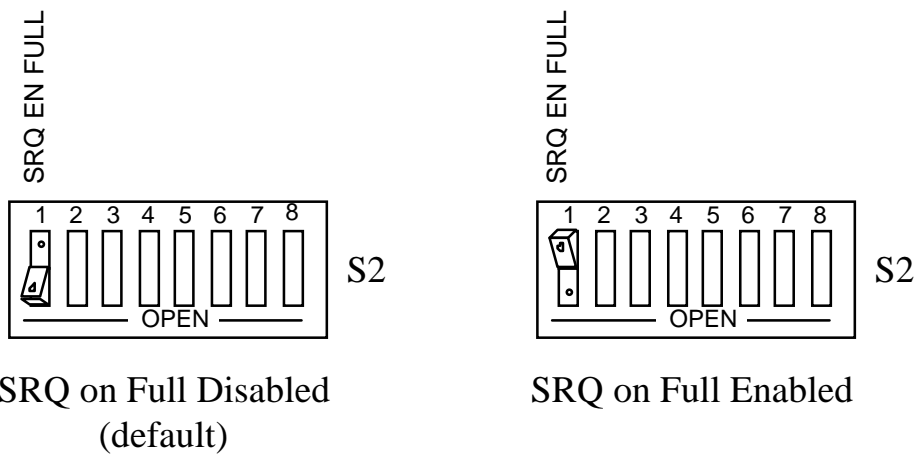
The digital input port contains 16 bits of TTL level inputs, one END line (iEND) input, two handshake lines (iDAV and iBusy), one control line (iRESET), two status lines (SB1 and SB2), and logic supply lines (+5V and ground).



Input Port Feature Selection Switch Default Settings

2.2.2.2.1 S2-1 SRQ EN Full: Service Request Enable

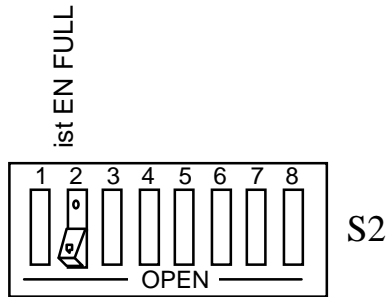
Service Request (SRQ) Enable causes the Digital488HS/32 to generate a service request on the IEEE 488 bus when iDAV transitions from the inactive (not Full) to the active state (Full), indicating the external device has transferred data and the port is Full. Default is SRQ on Full disabled.



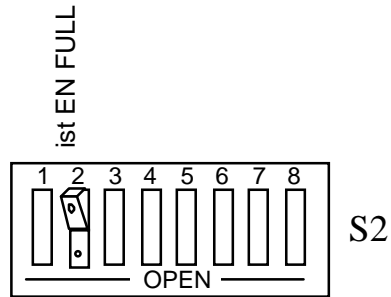
SRQ On Input Port Full Selection

2.2.2.2.2 S2-2 *ist* EN Full: Individual Status Message True on Input Port Full Enable

The Full status of the input port can be sensed via parallel polls when the *ist* (individual status message) Enable is selected. See section 3.4 for more information. Default is disabled.



ist on Input Full Disabled
(default)

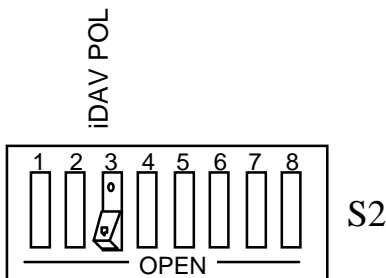


ist on Input Full Enabled

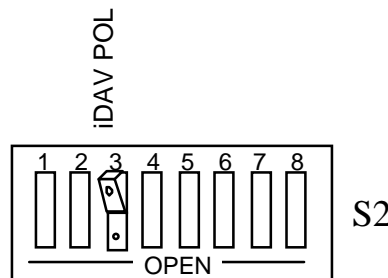
Individual Status Message (*ist*) on Full Status

2.2.2.2.3 S2-3 iDAV POL: Input Data Available Handshake Line

The Input Data available handshake line is an input line sourced by the external device. It can be configured for rising edge or falling edge operation. Factory default is falling edge operation.



Falling Edge iDAV
(default)

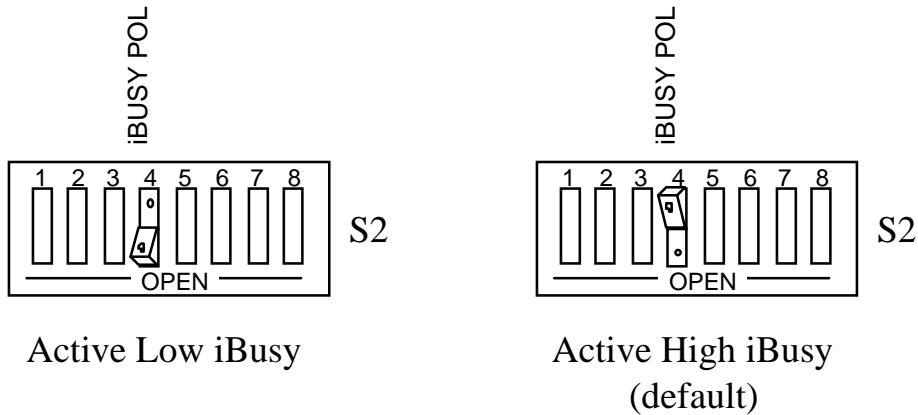


Rising Edge iDAV

Polarity Selection for the iDAV Handshake Line

2.2.2.2.4 S2-4 iBUSY POL: Input Port Busy Handshake Line

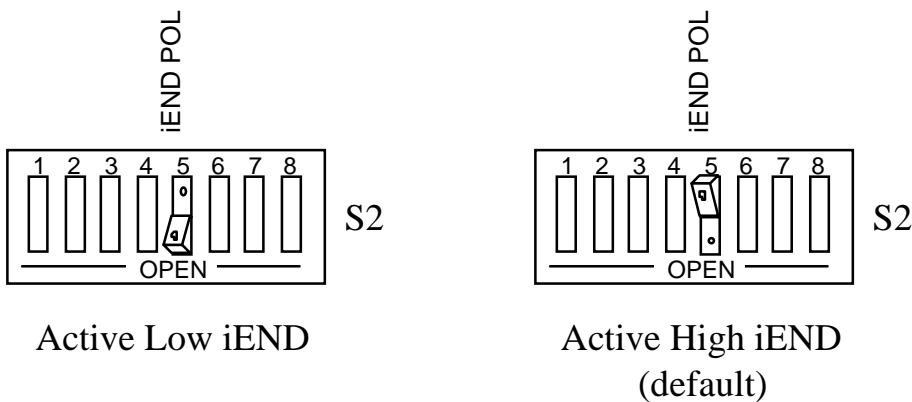
The input port busy handshake line, iBusy, is an input line sourced by the Digital488HS/32. It can be configured as active high or active low. Factory default is active high.



Polarity Selection for the iBusy Handshake Line

2.2.2.2.5 S2-5 iEND POL: Input End Control Line Polarity

The iEND control line is latched into the ninth bit of the second byte input port. This latched iEND signal directly drives the IEEE 488 EOI line during the second byte transfer and can be used to signal the end of the transfer to the IEEE 488 controller. iEND can be set for active high or active low operation. Default is active high.

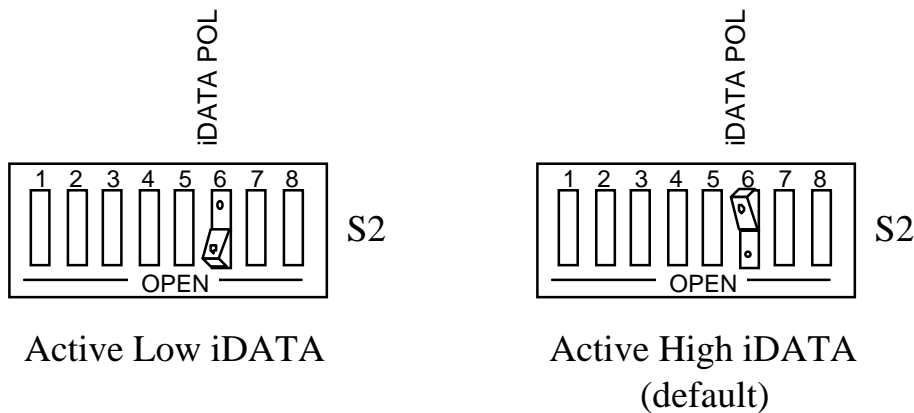


Polarity Selection for the iEND Control Line

2.2.2.2.6 S2-6 iDATA POL: Input Data Polarity

The input data bits can be active high or active low. For example, if a data byte of &h07 is transferred from the input port with the iData Polarity selected for active low operation, the data byte received by the IEEE 488 controller will be &hF8.

At power on, iRESET, Device Clear (DCL) or Selected Device Clear (SDC), the 16-bit digital input latches are forced to a Not Full condition. Default setting is active high.

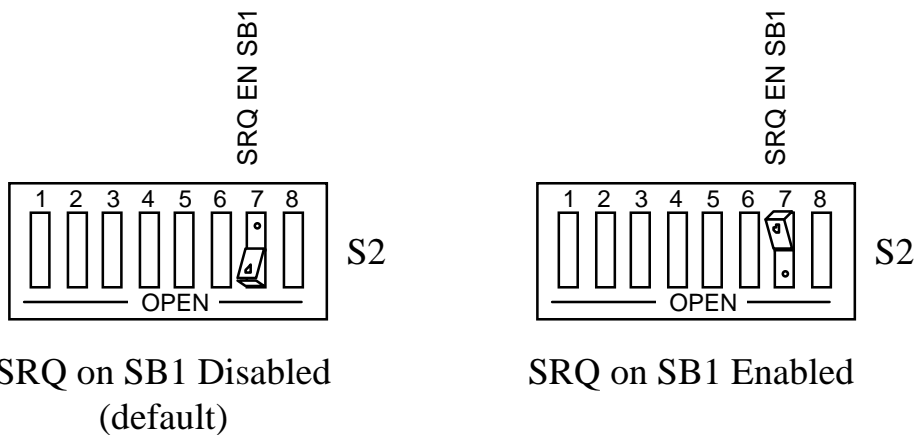


Polarity Selection for the Input Port Data Lines

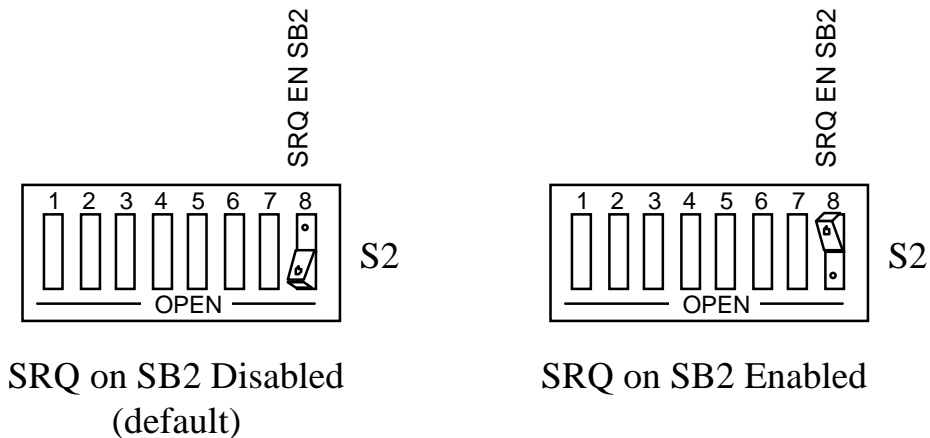
2.2.2.2.7 S2-7 and S2-8 SRQ EN SB1 and SRQ EN SB2: Service on External Status Bit 1 and 2

Request

The input port has two status line inputs that allow the external device to request service to the IEEE 488 bus via the Digital488HS/32. Each of these status line inputs is capable of generating an SRQ on the bus when this feature is enabled. When enabled, a service request is generated on the rising edge of the SB signal lines. This active polarity is not switch selectable. Each status bit can be polled by the IEEE 488 bus controller via serial polls. The level of the signal is latched at the beginning of the serial poll process. Default is SRQ disabled.



SRQ On External Status Bit 1 (SB1) Selection



SRQ On External Status Bit 2 (SB2) Selection

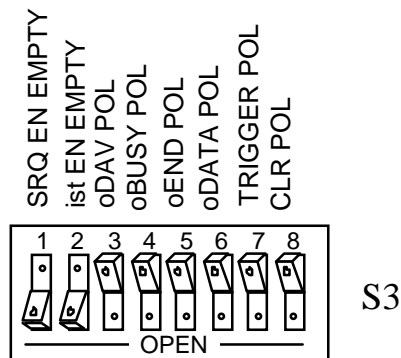
2.2.2.3 Digital Output Port Setup

Several features are available for the output port. These features are selected by internal switch S3, labeled OUTPUT SETUP. The factory defaults for these feature selections are shown in the following.

The features include:

- SRQ On Output Port Empty (Serial Poll Feature)
- ist* Enable on Output Port Empty (Parallel Poll Feature)
- Polarity Selection for Output Data, oEND, oTrigger, oClear, oDAV and oBusy Lines

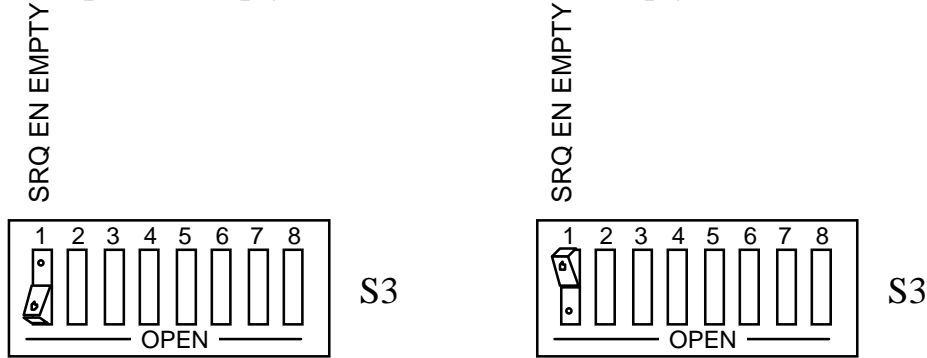
The digital output port contains 16 bits of TTL level outputs, one END line (oEND), two handshake lines (oDAV and oBusy), four control lines (/oRESET, /OE, oClear and oTrigger) and logic supply lines (+5V and ground).



Output Port Feature Selection Switch Default Settings

2.2.2.3.1 S3-1 SRQ EN EMPTY: Service Request Enable

Service Request (SRQ) Enable causes the Digital488HS/32 to generate a service request on the IEEE 488 bus when oBusy transitions from the active (Not Empty) to the inactive (Empty) state, indicating the external device has accepted previous data and the port is Empty. Default is SRQ on Empty disabled.



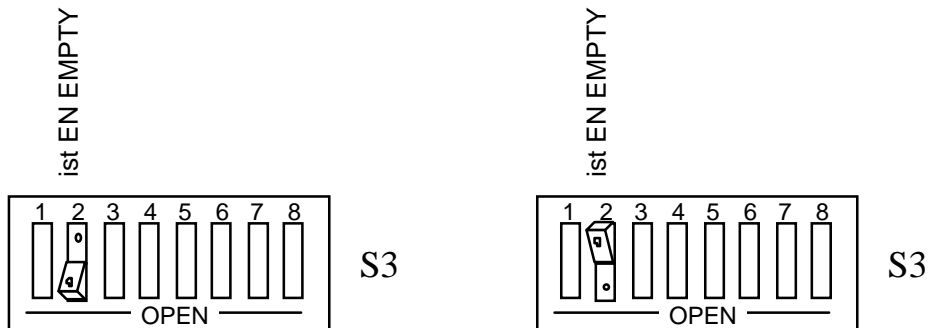
SRQ on Empty Disabled
(default)

SRQ on Empty Enabled

SRQ On Output Port Empty Selection

2.2.2.3.2 S3-2 *ist* EN EMPTY: Individual Status Message True on Output Port Empty Enable

The Empty status can be sensed via parallel polls when the individual status message (*ist*) enable is selected. See section 3.4 for more information. Default is disabled.



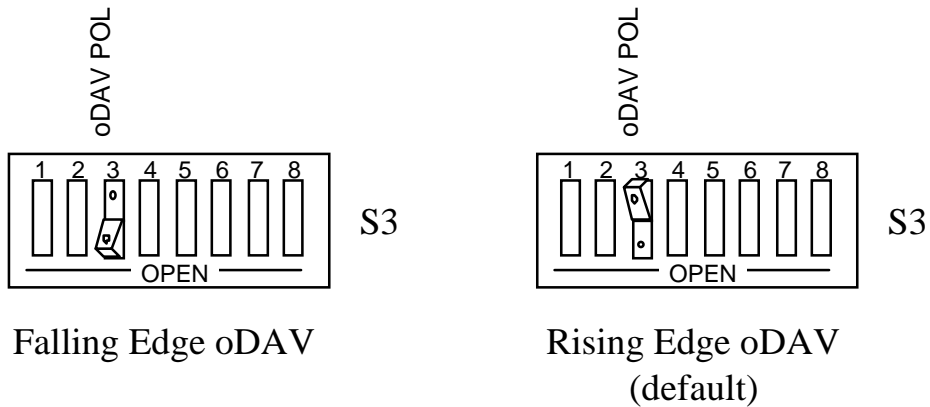
ist on Empty Disabled
(default)

ist on Empty Enabled

Individual Status Message (*ist*) on Output Port Empty Selection

2.2.2.3.3 S3-3 oDAV POL: Output Data Available Handshake Line

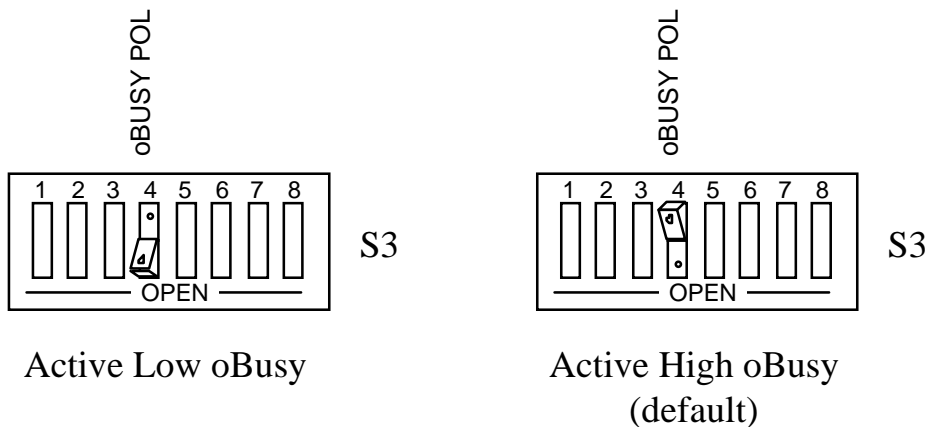
The Output Data available handshake line, oDAV, is an output line sourced by the Digital488HS/32. It can be configured for active high or active low operation. Factory default is active high (rising edge) operation.



Polarity Selection for the oDAV Handshake Line

2.2.2.3.4 S3-4 oBUSY POL: Output Port Busy Handshake Line

The output port busy handshake line, oBusy, is an input sensed by the Digital488HS/32. It can be configured as active high or active low. Factory default is active high.

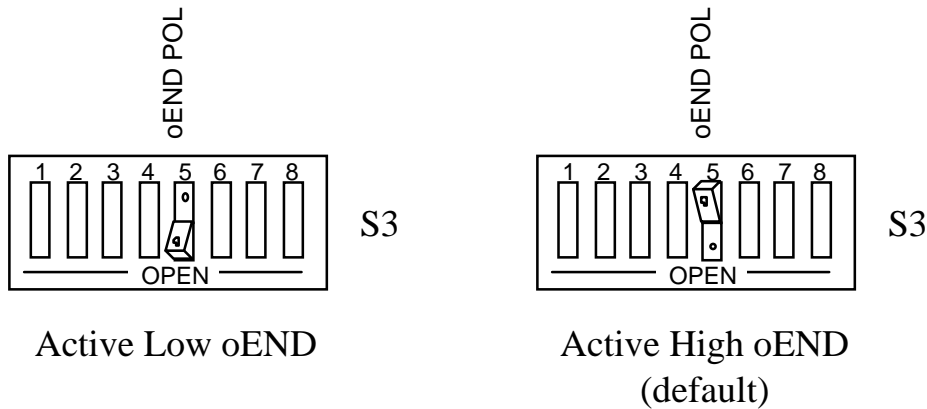


Polarity Selection for the oBusy Handshake Line

2.2.2.3.5 S3-5 oEND POL: Output End Control Line

The level of the oEND control line is individually switch selectable for active high or active low operation. The oEND line is forced active, either high or low, by power-

on, iRESET, Device Clear (DCL) or Selected Device Clear (SDC). The default setting for S3-5 is active high. The oEND is not affected by the \OE line; it is always enabled.



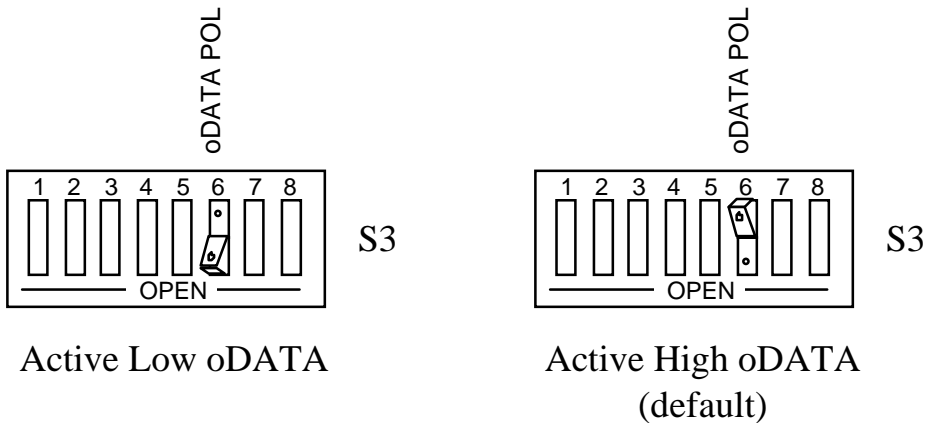
Polarity Selection for the oEND Control Line

2.2.2.3.6 S3-6 oDATA POL: Output Data Polarity

The output data bits' polarity can be active high or active low. For example, if a data byte of &h07 is transferred to the output port with oData Polarity selected for active low operation, the levels at the output port are &hF8.

The first and second byte output drivers are controlled by the output enable input (/OE). In order to allow the digital output data to be presented to the output connector, the /OE input must be forced low. The oEND output is always enabled, regardless of the state of /OE input. This allows the input and output ports on the Digital488HS/32 to be connected to form a bi-directional bus.

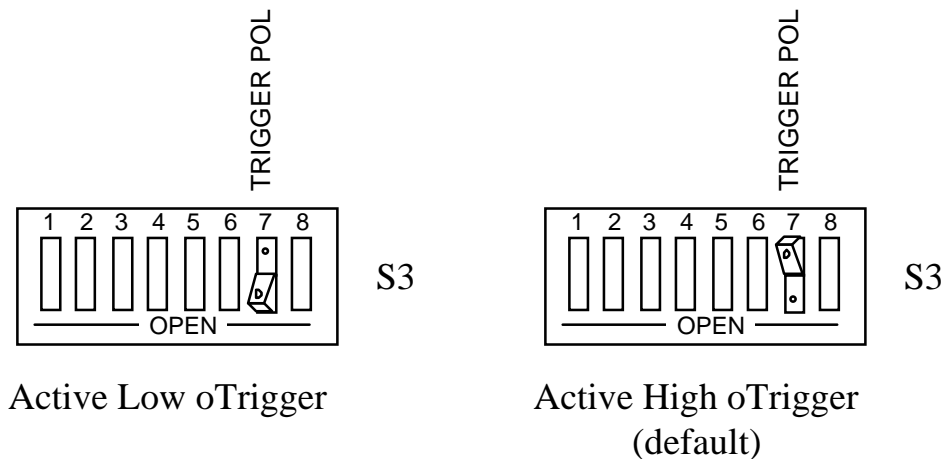
At power-on, iRESET, Device Clear (DCL) or Selected Device Clear (SDC), S3-6 is ignored and the 16 data bits of the first and second byte output ports are forced to the levels selected by the S4 and S5 switch settings. These settings are in effect until the first data are written to the output port. The oEND output is forced active. Default of S3-6 is active high output data bits.



Polarity Selection for the Output Port Data Lines

2.2.2.3.7 S3-7 TRIGGER POL: Output Trigger Control Line Polarity

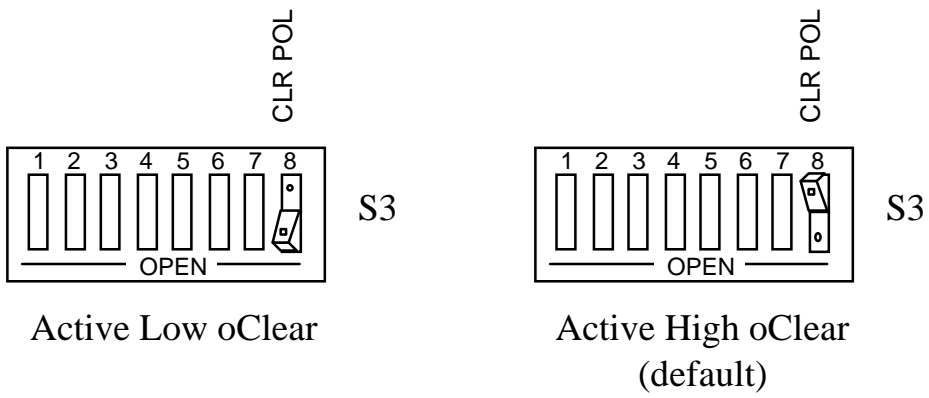
The trigger control line may be set for active low or active high operation. Default is active high.



Polarity Selection for the oTrigger Line

2.2.2.3.8 S3-8 CLR POL: Output Clear Control Line Polarity

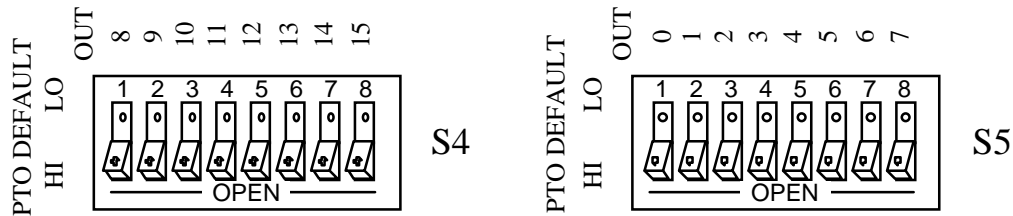
The Output Clear control line can be selected for active low or active high. Default is active high.



Polarity Selection for the oClear Line

2.2.2.4 Power-On Default Settings

Switches S4 and S5, labeled PTO Default, set the power-on default settings for the Digital488HS/32. The power-on settings set the output port to high or low on power-on.



Power On Default Switches for First Byte and Second Byte

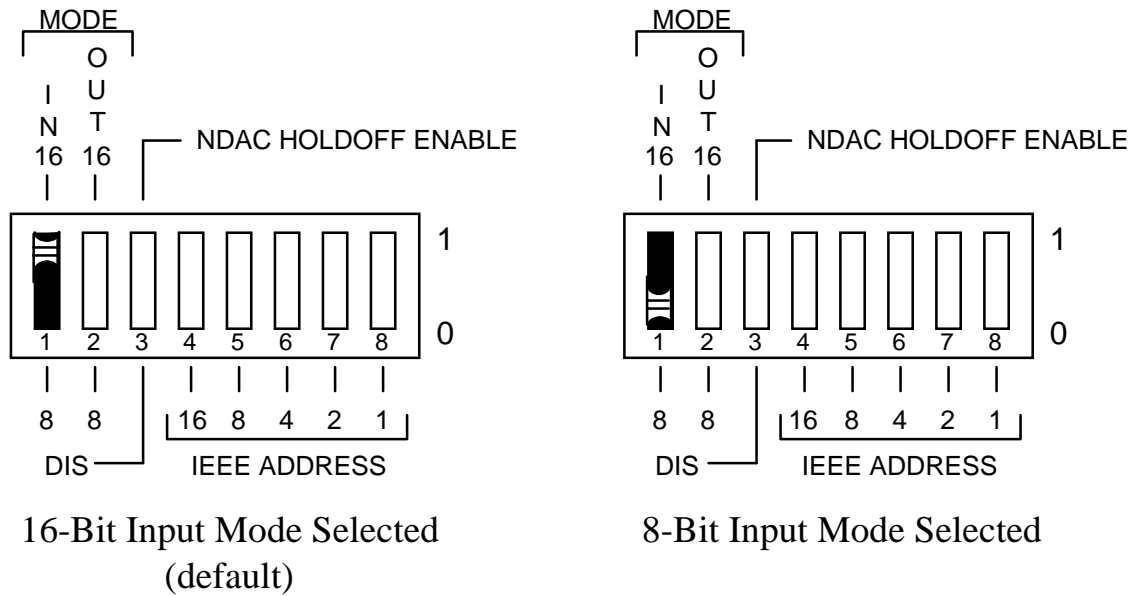
At power-on, iRESET, Device Clear or Selected Device Clear, S3-6 (output data polarity) is ignored and the digital outputs are forced to the level selected by the S4 and S5 settings. These settings are in effect until the first datum is written to the output port. Each data line in the output port is set individually by these switches. Factory default is all data lines low. The oEND output is forced active.

2.3 External Switches

The Digital488HS/32 has one eight position switch accessible from the rear panel. This switch determines the unit's IEEE 488 bus address, input and output mode, and whether NDAC Holdoff is used. The switch is read only during power on and should be set before applying power.

2.3.1 Input Port Mode Selection

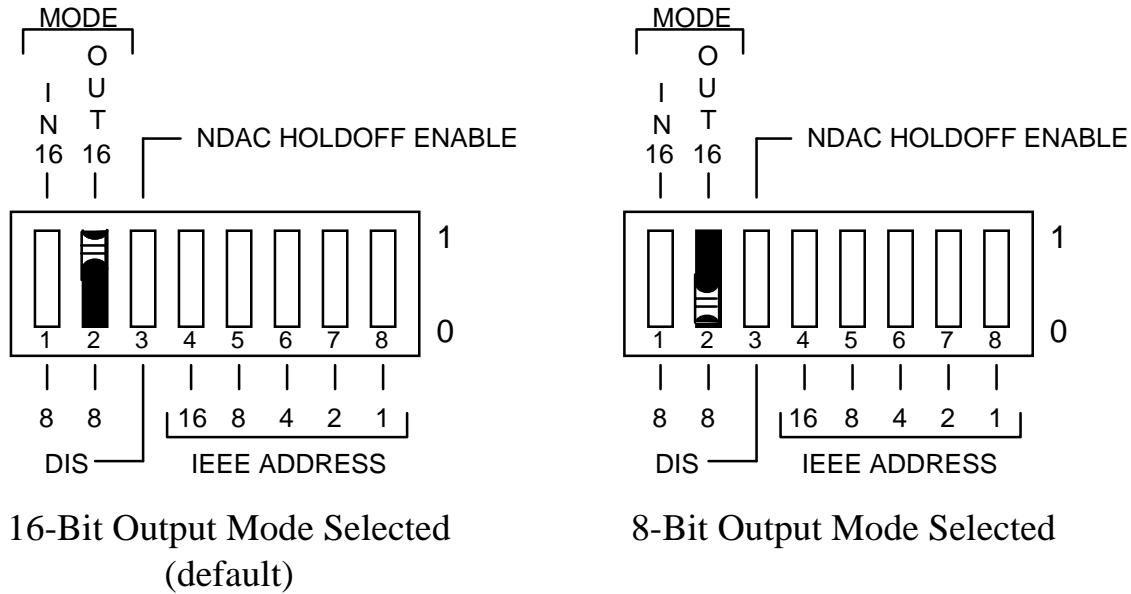
The switch labeled MODE IN selects either 8-bit or 16-bit input port operation. In 8-bit mode, 8-bit data are transferred from the second byte port with the iEND line driving the IEEE 488 bus EOI line as the ninth bit. In 16-bit mode, the first eight bits of data are transferred from the first byte port followed by the next eight bits with iEND from the second byte port. The user connects the external device to correspond to the desired byte ordering (most significant byte first or least significant byte first).



Input Port Mode Selection Switch

2.3.2 Output Port Mode Selection

The switch labeled MODE OUT selects either 8-bit or 16-bit output port operation. In 8-bit mode, 8-bit data are transferred to the second byte port with the IEEE 488 bus EOI line driving the oEND output. In 16-bit mode, the first eight bits of data are transferred to the first byte port followed by the next eight bits with EOI to the second byte port. The user connects the external device to correspond to the desired byte ordering (most significant byte first or least significant byte first).



Output Port Mode Selection Switch

2.3.3 NDAC Holdoff Enable/Disable

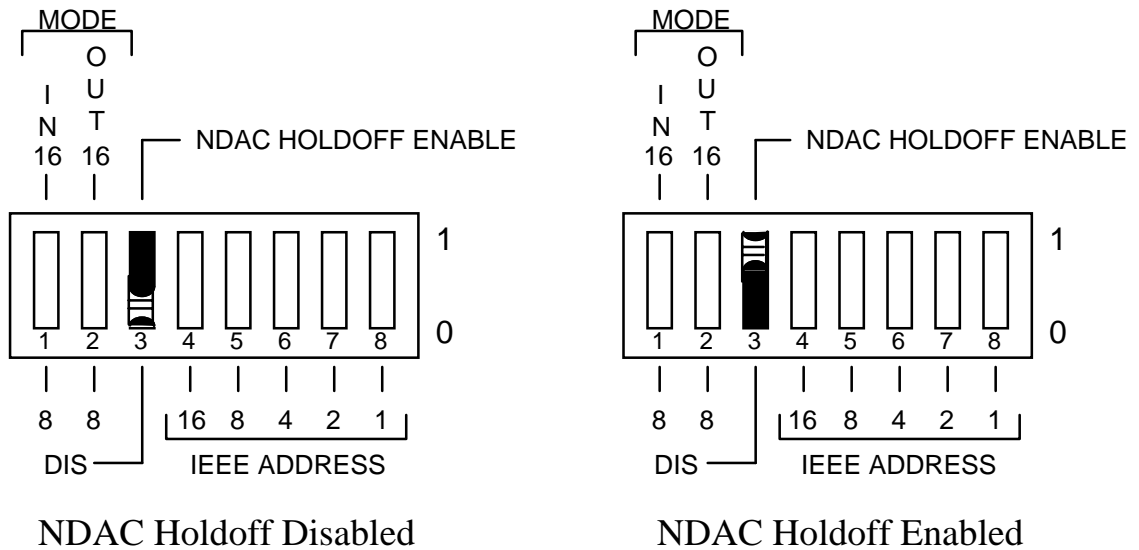
When Digital488HS/32 presents output data, it asserts the oDAV line to inform the external device that data are available. The external device then responds by asserting the oBusy signal to indicate that it has accepted the data. At this point, the Digital488HS/32 unasserts oDAV and waits for the external device to unassert oBusy in preparation for new output.

The Digital488HS/32 uses the IEEE 488 bus handshake lines to make sure data are not sent to it faster than the external device can accept the data. Normally, the Digital488HS/32 uses the Not Ready For Data (NRFD) data lines for this purpose. This allows the IEEE 488 bus to continue with other activity, even though the external device has not yet accepted the data.

When NDAC holdoff is enabled, the Digital488HS/32 uses the IEEE 488 NDAC line to stop the IEEE 488 bus until the external device has accepted the data (as indicated by its assertion of the oBusy line). In this way, the controller is guaranteed the data it has sent to the Digital488HS/32 has been accepted by the external device.

When the oBusy handshake line is active, the Digital488HS/32 stops any additional data transfers to the output port. However, the IEEE 488 bus controller can continue to process other bus commands and control other instruments. In some cases, this may not be desired. The switch labeled NDAC HOLDOFF ENABLE/DIS allows the

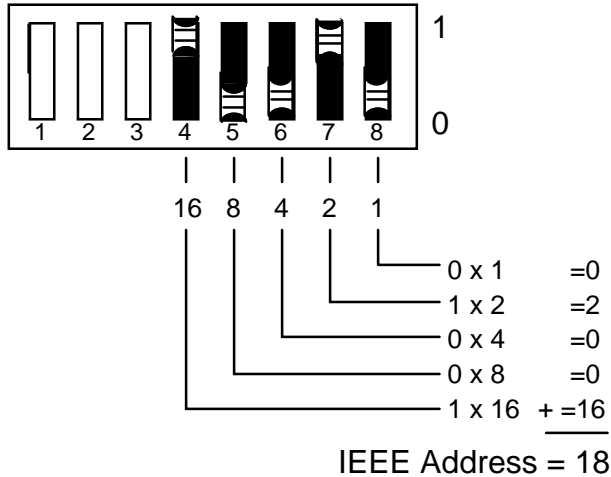
bus controller to be held off with the NDAC handshake line. This option is set by the switch labeled NDAC HOLDOFF ENABLE. Factory default setting is NDAC holdoff disabled.



NDAC Holdoff Enable Selection

2.3.4 IEEE 488 Address Selection

Digital488HS/32's IEEE 488 bus address is set by the switches labeled IEEE ADDRESS on the rear panel of the unit. The address can be set from 0 through 30. The address is selected by simple binary weighting, with the switch labeled 1 being the least significant bit and the switch labeled 16 the most significant bit. The factory default is address 18. If address 31 is selected, the interface is placed in the “Listen Only” or “Listen Always” mode.



IEEE Bus Address Selection

2.4 IEEE 488 Bus Implementation

The Digital488HS/32 implements many of the capabilities defined by the IEEE 488.1 specification. These are discussed in the following sections. The bus uniline and multiline commands the Digital488HS/32 does not support or respond to include the following:

Remote Enable (REN)
 Go to Local (GTL)
 Local Lockout (LLO)
 Take Control (TCT)

Parallel Poll Configure (PPC)
 Parallel Poll Unconfigure (PPU)
 Parallel Poll Disable (PPD)

2.4.1 My Talk Address (MTA)

When the Digital488HS/32 is addressed to talk, it outputs any data available on the Digital Input Port. If the interface has been Serial Poll Enabled (SPE) by the controller, it responds with its serial poll status byte until Serial Poll Disabled (SPD).

2.4.2 My Listen Address (MLA)

When the Digital488HS/32 is addressed to listen, it accepts characters from the active talker and outputs them without interpretation to the Digital Output Port. The Digital488HS/32 is not software programmable, so it does not accept any device dependent commands.

2.4.3 Device Clear (DCL and SDC)

In response to a DCL or SDC from the IEEE488 bus, the Digital488HS/32 pulses the oClear control line for 1µsec. In addition, the input port is forced Empty and the output port is forced to its power-on default value. For more information, see PTO default switches, S4 and S5.

2.4.4 Group Execute Trigger (GET)

When the Digital488HS/32 recognizes a GET, the Digital488HS/32 pulses the oTrigger control line for 1µsec.

2.4.5 Interface Clear (IFC)

IFC places the Digital488HS/32 in the Talker/Listener Idle State.

2.4.6 Serial Poll Enable (SPE)

When Serial Poll Enabled (SPE), the Digital488HS/32 sets itself to respond to a serial poll with its serial poll status byte if addressed to talk. When the serial poll byte is accepted by the controller, any pending SRQs are cleared. The Digital488HS/32 continues to try to output its serial poll response until it is Serial Poll Disabled (SPD) by the controller.

2.4.7 Serial Poll Disable (SPD)

Disables the Digital488HS/32 from responding to serial polls by the controller.

2.4.8 Unlisten (UNL)

Unlisten (UNL) places the Digital488HS/32 in the Listener Idle State.

2.4.9 Untalk (UNT)

Untalk (UNT) places the Digital488HS/32 in the Talker Idle State.

2.4.10 Serial Poll Response

Whenever the Digital488HS/32 generates a service request (SRQ), a serial poll by the controller returns a serial poll status byte of at least 64 (decimal) showing the SRQ was generated by the Digital488HS/32. For more information, see section 3.3.

2.4.11 Parallel Poll Response

The Digital488HS/32 outputs its individual status message (*ist*) on the IEEE 488 bus data line determined by the setting of the three least significant bus address switches (IEEE Address 1, 2, 4). For example, with the factory default address of 18, the data line chosen is DIO3 (data bit line 2). See section 3.4 for more information

2.5 Front Panel Indicators

Six indicator lights on the front panel of the Digital488HS/32 display the status of the interface. The function of each indicator is described below.

POWER On when power is applied to the Digital488HS/32 and the power switch on the back panel is depressed. Off if power is not present.

TALK On when the Digital488HS/32 is in the IEEE 488 Talker state, off when the Digital488HS/32 is in the Idle or Listener state.

LISTEN On when the Digital488HS/32 is in the IEEE 488 Listener state, off when the Digital488HS/32 is in the Idle or Talker state.

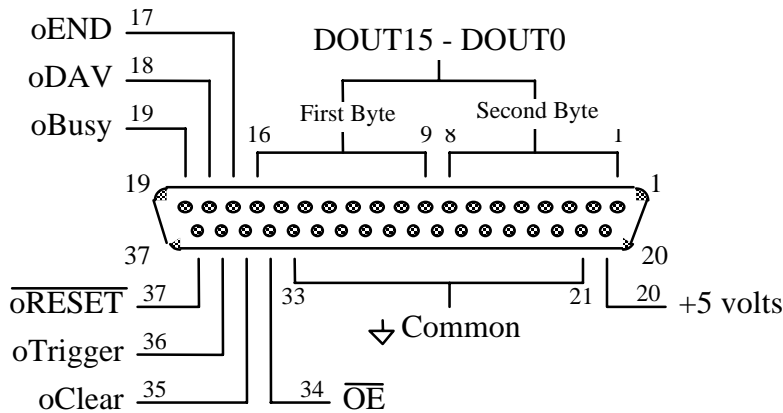
SRQ On when the Digital488HS/32 has generated an IEEE 488 service request (SRQ), off when no SRQ from the Digital488HS/32 is pending.

- EMPTY** On when the Digital488HS/32's output data port is Empty, indicating the external device has accepted the output data, off when the output port is Not Empty.
- FULL** On when the Digital488HS/32 has accepted data on the Input Data Port from the external device. Off when no input port data is pending (that is, Not Full).

Operation

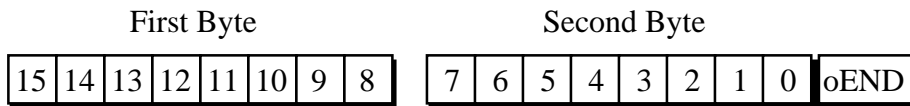
3.1 Digital Output Port

The digital output port contains 16 bits of TTL level outputs, one END line (oEND), two handshake lines (oDAV and oBusy), four control lines (/oRESET, /OE, oClear and oTrigger) and logic supply lines (+5V and ground).



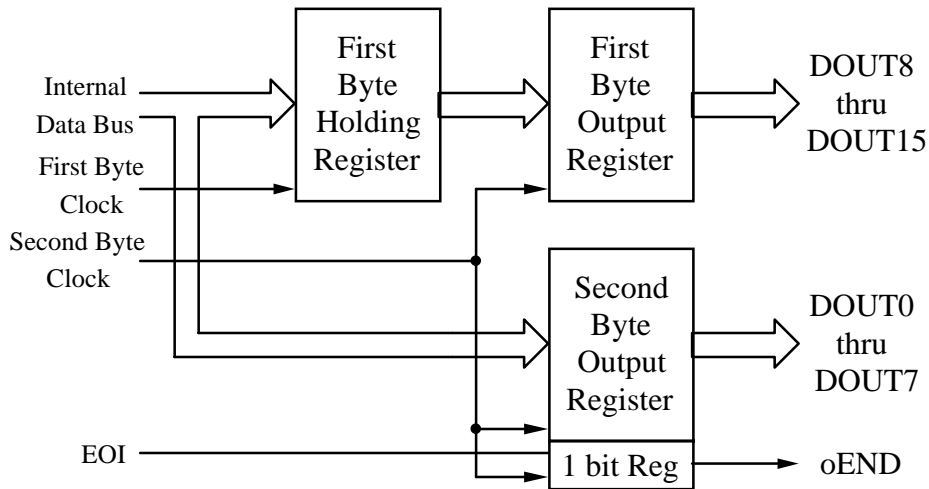
Digital Output Port Connector Pinouts

Output Port Organization



First Byte, Second Byte and oEND Bit Organization

In 16-bit mode, both the first byte and second byte ports are changed simultaneously, that is, without respect to the IEEE 488 bus data transfer rate. The first byte is first transferred into a holding latch. When the second byte is accepted by the Digital488HS/32, then the first byte data are transferred from the holding register to the output register. The following simplified block diagram illustrates this output transfer.



Simplified Output Port Block Diagram

3.1.1 Output Port Data Lines

The first and second byte output port drivers are externally controlled. The Output Enable control line ($\overline{\text{OE}}$) must be forced low to allow the digital output data to be presented on the output connector. If $\overline{\text{OE}}$ is disconnected or forced high, the output drivers are disabled and the output connector is not driven. This allows the input and output ports on the Digital488HS/32 to be connected to form a bidirectional bus. The oEND output, however, is always enabled. $\overline{\text{OE}}$ does not affect the oEND control line.

The Output Enable control line ($\overline{\text{OE}}$) places the output port buffers, both first and second byte, into tri-state operation if left floating or forced active high. To enable the output port, this line must be driven active low. The state of the $\overline{\text{OE}}$ line does not effect the oEND control line. This allows the input and output ports to be used as a bi-directional interface, connecting the input and output port data lines together.

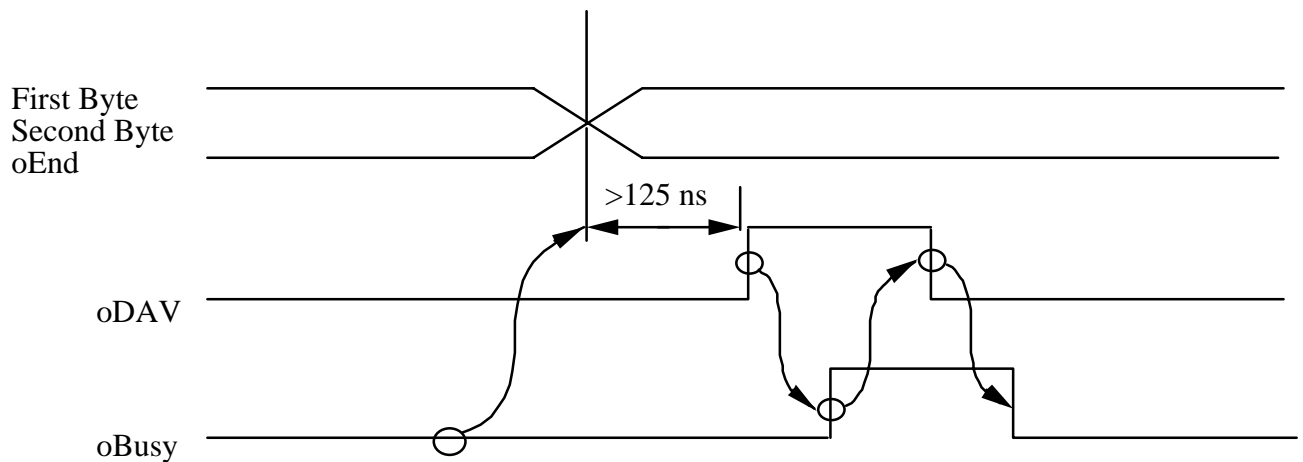
The IEEE 488 (EOI) End or Identify bus control line is often used to designate the last byte of a multiple byte transfer. The Digital488HS/32 latches the EOI signal into the ninth bit (oEND) of the second byte output port. This oEND signal, derived directly from the EOI line, can be used to signal the end of the transfer to the external device.

3.1.2 Output Port Handshake Lines (oDAV and oBusy)

The Output Data Available (oDAV) handshake line is an output line sourced by the Digital488HS/32. The Output Port Busy (oBusy) handshake line is an input that is sensed by the Digital488HS/32.

Data are not written to the output port while oBusy input is active. When oBusy becomes inactive, all 17 bits of data, including oEND, are presented to the output lines. 125 ns later, oDAV is forced active. In the 8-bit mode the first byte port content is not specified.

Once the external device has sensed the assertion of oDAV, it must latch the data and then assert oBusy for at least 150 ns. The external device must unassert oBusy when it is ready for more data.



- 1) When oBusy input line is unasserted, the Digital488HS/32 puts data on the output port.
- 2) The Digital488HS/32 waits at least 125 ns, then asserts oDAV.
- 3) The external device should then assert oBusy and latch the data.
- 4) oBusy must remain asserted until 150 ns have elapsed or oDAV becomes unasserted.
- 5) The external device unasserts oBusy preparing for next transfer.

Output Port Timing Diagram

3.1.2.1 NDAC Holdoff Selection

The Digital488HS/32 stops any additional data transfers to the output port while the oBusy handshake line is active, indicating the connected external device has not accepted the previous data provided by the oDAV transition. It does this by not releasing the NRFD IEEE 488 bus handshake line, thus indicating its “Not Ready for Data” condition.

Even though the Digital488HS/32 is not ready, the IEEE 488 bus controller can continue to process other bus commands and control other instruments. Occasionally, such as when a trigger command is to be issued, it is desirable to prohibit the bus controller from processing other bus commands until the output data have been accepted by the external device.

In this example, the bus controller may be able to output data to the Digital488HS/32 and issue the trigger faster than the external device can accept the output port data. If trigger must be synchronized with the data transfer, it would be necessary to serial poll or parallel poll the Digital488HS/32 to determine if the data have been transferred.

Alternatively, the Digital488HS/32 can stop the IEEE 488 bus controller until the data have been accepted by the external device. It does so by leaving NDAC asserted until the external device has accepted the output data. Since every data byte on the IEEE 488 bus must be accepted (for example, with an NDAC transition) the bus is not allowed to continue until the Digital488HS/32 releases NDAC.

3.1.3 oClear Control Line

When the Digital488HS/32 detects a Device Clear (DCL) or a Selected Device Clear (SDC) IEEE 488 bus command, it generates a 1µsec pulse on the oClear control line.

3.1.4 oTrigger Control Line

When the Digital488HS/32 detects the Group Execute Trigger (GET) IEEE 488 bus command, it generates a 1µsec pulse on the oTrigger control line.

3.1.5 /oRESET Control Line

The /oRESET control line is an active low signal that follows the internal reset line of the Digital488HS/32. During power-on or external application of a low input to the /iRESET line, this line remains in the low state for approximately 120 to 150 ms. There is no selection for polarity for this control line.

3.1.6 Logic Supply Lines

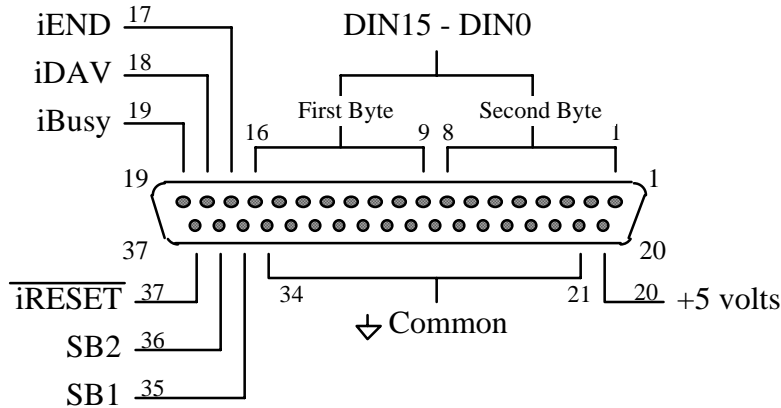
The +5 V connection provides five volts for use by external circuits. Care must be taken to assure that the external circuit does not draw more than 100mA.

3.1.7 Data Transfer Speed Considerations

The data transfer speeds on the IEEE 488 bus are affected by both the IEEE 488 bus talker and the IEEE 488 bus listener. In fact, the data on the bus can only transfer as fast as the slowest listener. The Digital488HS/32 is capable of accepting bus data for transfer to the output port at greater than 1,000,000 bytes per second. The data acceptance time (time between falling edge of DAV to rising edge of NDAC) is approximately 200 ns. This allows the IEEE talker 800 ns on its part of the handshake to meet the 1,000,000 bytes per second transfer speed.

3.2 Digital Input Port

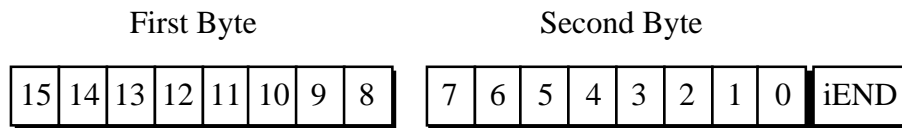
The digital input port contains 16 bits of TTL level inputs, one END line (iEND) input, two handshake lines (iDAV and iBusy), one control line (/iRESET), two status lines (SB1 and SB2) and logic supply lines (+5V and ground).



Digital Input Port Connector Pinouts

Input Port Organization

DIN0 Thru DIN15



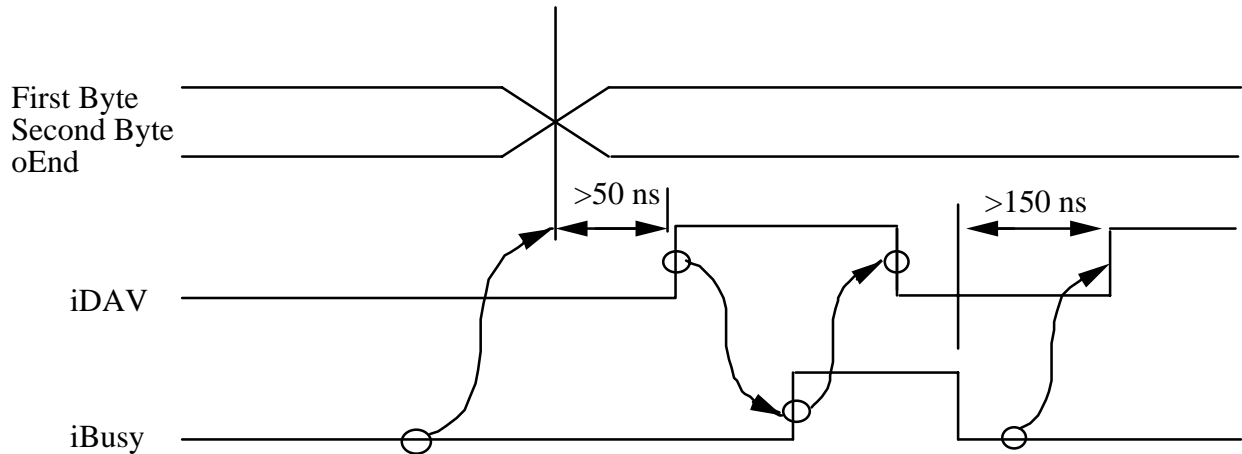
First Byte, Second Byte and iEND Bit Organization

Both the first byte and second byte port data are latched simultaneously on the active edge of the iDAV handshake line.

3.2.1 Input Port Handshake Lines (iDAV and iBusy)

Data to the input port should not be written while the handshake line, iBusy, is active. When sensed inactive, all 17 bits of data can be presented to the input lines followed by a minimum delay of 50 ns, after which iDAV can be forced active.

The leading transition of the iDAV line latches data into the input latches. The iBusy signal, when active, causes subsequent leading edge transitions of iDAV to be ignored until the iBusy signal becomes inactive. When iDAV senses active, iBusy is forced active until all data have been transferred to the IEEE 488 bus listener. The iDAV line must then go inactive for a minimum duration of 150 ns following the inactive state of iBusy before additional data can be detected on the input port.



- 1) The external device waits for iBusy to be unasserted.
- 2) The external device presents data to the input port.
- 3) After at least 50 ns, the external device asserts iDAV until 150 ns have passed or until iBusy is asserted.
- 4) The external device unasserts iDAV until at least 150 ns after iBusy is unasserted.

Input Port Timing Diagram

3.2.2 /iRESET Control Line

The /iRESET control line provides a method by which the external device can force a power-on reset of the Digital488HS/32. This line, normally pulled high by an internal 10k Ω pull-up resistor, causes the power-on reset sequence when forced to a low state. The polarity (active level) of this control line is not switch selectable. iReset must be held active for at least 2 ms to ensure proper reset.

3.2.3 Logic Supply Lines

Provisions have been made to allow the external device to be powered by the Digital488HS/32 internal 5 volt logic supply. Care must be taken to assure that the external circuit does not draw greater than 100 mA total (50 mA to each port).

3.2.4 Data Transfer Speed Considerations

The data transfer speeds on the IEEE 488 bus are affected by both the IEEE 488 bus talker and the IEEE 488 bus listener. In fact, the data on the bus can only transfer as

fast as the slowest listener. The Digital488HS/32 is capable of transmitting bus data at a rate greater than 1,000,000 bytes per second.

3.3 Serial Polling

The Digital488HS/32 can provide internal and external status in addition to generating requests for service via the SRQ IEEE 488 control line. The following shows the status bit positions contained within the Serial Poll Byte Status Register.

Serial Poll Byte Bit Assignments							
DIO8	DIO7	DIO6	DIO5	DIO4	DIO3	DIO2	DIO1
0	rsv	0	0	SB2	SB1	EMPTY	FULL

These status bits include:

DIO1	FULL	The input port is Full. Data may be read from the input port.
DIO2	EMPTY	The output port is Empty. Data may be written to the output port.
DIO3	SB1	External Status Bit #1 input. Level Sensitive Bit. Rising edge SRQ generating if enabled.
DIO4	SB2	External Status Bit #2 input. Level Sensitive Bit. Rising edge SRQ generating if enabled.
DIO5	Not Used	Always 0.
DIO6	Not Used	Always 0.
DIO7	rsv	Reserved Bit. Indicates the Digital488HS/32 caused the SRQ.
DIO8	Not Used	Always 0.

3.4 Parallel Polling

The Digital488HS/32 provides the method by which the individual status message (*ist*), either "true" (1) or "false" (0), can be determined by parallel poll.

ist is set true or false according to the setting of the *ist* EN Full switch (S2-2), the *ist* EN Empty switch (S3-2), and the current states of the input and output ports. The three least significant address IEEE 488 bus address switches (labeled 1, 2 and 4) determine which bus DIO line the Digital488HS/32 uses to report the status. The following table illustrates the Address Switch, *ist* status and the DIO line used.

IEEE Bus Address Switch					Status	Parallel Poll Response							
S1-4	S1-5	S1-6	S1-7	S1-8	<i>ist</i>	DIO8	DIO7	DIO6	DIO5	DIO4	DIO3	DIO2	DIO1
–	–	–	–	–	0	0	0	0	0	0	0	0	0
–	–	0	0	0	1	0	0	0	0	0	0	0	1
–	–	0	0	1	1	0	0	0	0	0	0	1	0
–	–	0	1	0	1	0	0	0	0	0	1	0	0
–	–	0	1	1	1	0	0	0	0	1	0	0	0
–	–	1	0	0	1	0	0	0	1	0	0	0	0
–	–	1	0	1	1	0	0	1	0	0	0	0	0
–	–	1	1	0	1	0	1	0	0	0	0	0	0
–	–	1	1	1	1	1	0	0	0	0	0	0	0

The following table shows the status enable switch settings, the status conditions and the corresponding individual status message (*ist*).

<i>ist</i> EN Empty S3-2	Output	<i>ist</i> EN Full S2-2	Input	<i>ist</i>
Disabled	–	Disabled	–	0
Enabled	Empty	Disabled	–	1
Enabled	Not Empty	Disabled	–	0
Disabled	–	Enabled	Full	1
Disabled	–	Enabled	Not Full	0
Enabled	Empty	Enabled	Full	1
Enabled	Empty	Enabled	Not Full	1
Enabled	Not Empty	Enabled	Full	1
Enabled	Not Empty	Enabled	Not Full	0

IEEE 488 Primer

4.1 HISTORY

The IEEE 488 bus is an instrumentation communication bus adopted by the Institute of Electrical and Electronic Engineers in 1975, revised in 1978 and revised and extended in 1987. The Digital488HS/32 conforms to this most recent revision designated IEEE 488.1.

Prior to the adoption of this standard, most instrumentation manufacturers offered their own versions of computer interfaces. This placed the burden of system hardware design on the end user. If his application required the products of several different manufacturers, then he might need to design several different hardware and software interfaces. The popularity of the **IEEE 488** interface (sometimes called the **General Purpose Interface Bus** or **GPIB**) is due to the total specification of the electrical and mechanical interface as well as the data transfer and control protocols. The use of the **IEEE 488** standard has moved the responsibility of the user from design of the interface to design of the high level software that is specific to the measurement application.

4.2 GENERAL STRUCTURE

The main purpose of the **IEEE 488.1** interface is to transfer information between two or more devices. A device can either be an instrument or a computer. Before any information transfer can take place, it is first necessary to specify which will do the talking (send data) and which devices will be allowed to listen (receive data). The decision of who will talk and who will listen usually falls on the **System Controller** which is, at power on, the **Active Controller**.

The **System Controller** is similar to a committee chairman. On a well run committee, only one person may speak at a time and the chairman is responsible for recognizing members and allowing them to have their say. On the bus, the device which is recognized to speak is the **Active Talker**. There can only be one Talker at a time if the information transferred is to be clearly understood by all. The act of "giving the floor" to that device is called **Addressing to Talk**. If the committee chairman can not attend the meeting, or if other matters require his attention, he can appoint an acting chairman to take control of the proceedings. For the **GPIB**, this device becomes the **Active Controller**.

At a committee meeting, everyone present usually listens. This is not the case with the **GPIB**. The **Active Controller** selects which devices will listen and commands all other devices to ignore what is being transmitted. A device is instructed to listen by

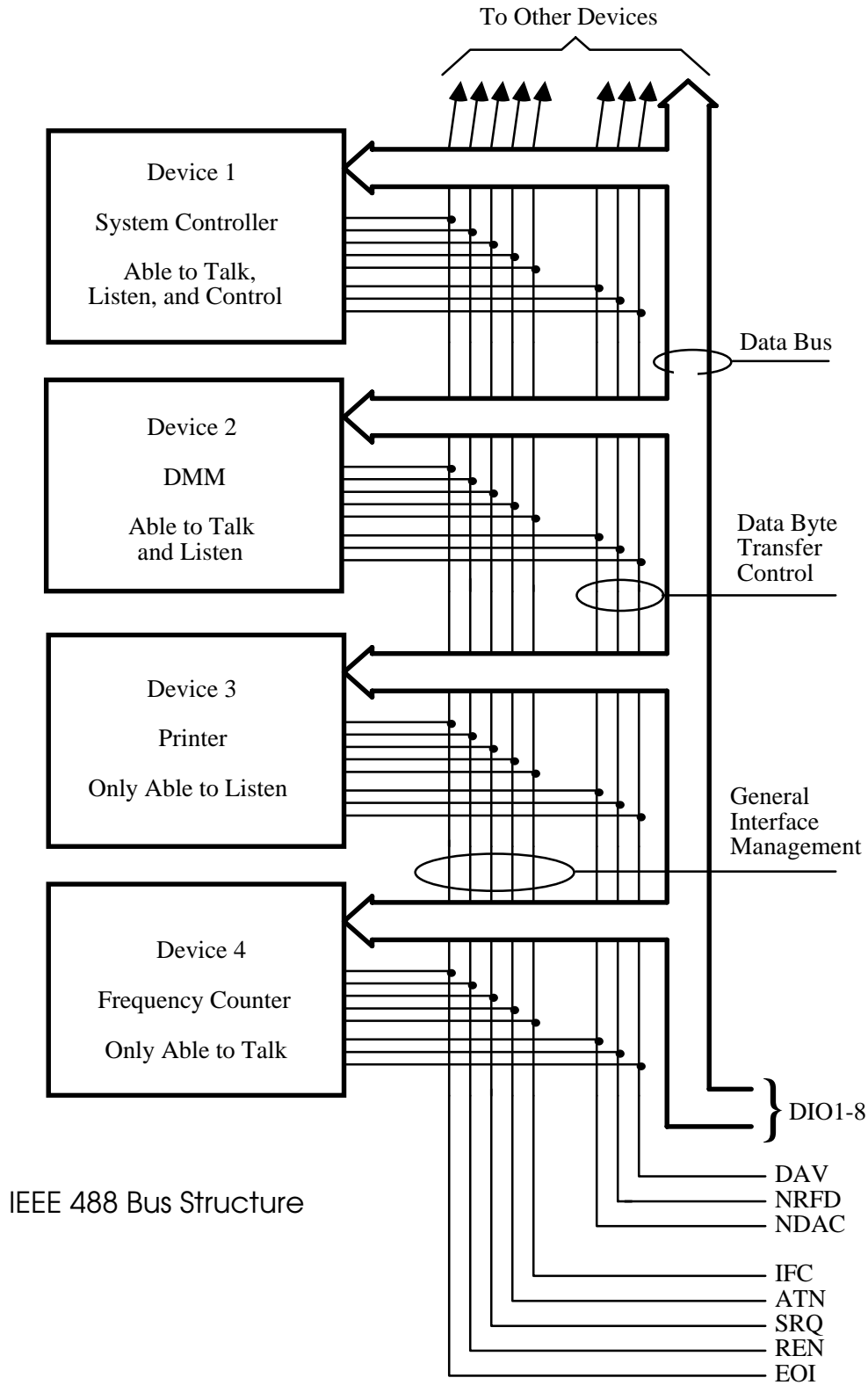
being **Addressed to Listen**. This device is then referred to as an **Active Listener**. Devices which are to ignore the data message are instructed to **Unlisten**.

The reason some devices are instructed to **Unlisten** is quite simple. Suppose a college instructor is presenting the day's lesson. Each student is told to raise their hand if the instructor has exceeded their ability to keep up while taking notes. If a hand is raised, the instructor stops his discussion to allow the slower students the time to catch up. In this way, the instructor is certain that each and every student receives all the information he is trying to present. Since there are a lot of students in the classroom, this exchange of information can be very slow. In fact, the rate of information transfer is no faster than the rate at which the slowest note-taker can keep up. The instructor, though, may have a message for one particular student. The instructor tells the rest of the class to ignore this message (**Unlisten**) and tells it to that one student at a rate which he can understand. This information transfer can then happen much quicker, because it need not wait for the slowest student.

The **GPIB** transfers information in a similar way. This method of data transfer is called **handshaking**. More on this later.

For data transfer on the **IEEE 488**, the **Active Controller** must...

- a) **Unlisten** all devices to protect against eavesdroppers.
- b) Designate who will **talk** by **addressing** a device to **talk**.
- c) Designate all the devices who are to **listen** by **addressing** those devices to **listen**.
- d) Indicate to all devices that the data transfer can take place.



4.3 SEND IT TO MY ADDRESS

In the previous discussion, the terms **Addressed to Talk** and **Addressed to Listen** were used. These terms require some clarification.

The **IEEE 488.1** standard permits up to 15 devices to be configured within one system. Each of these devices must have a unique address to avoid confusion. In a similar fashion, every building in town has a unique address to prevent one home from receiving another home's mail. Exactly how each device's address is set is specific to the product's manufacturer. Some are set by DIP switches in hardware, others by software. Consult the manufacturer's instructions to determine how to set the address.

Addresses are sent with **universal (multiline)** commands from the **Active Controller**. These commands include **My Listen Address (MLA)**, **My Talk Address (MTA)**, **Talk Address Group (TAG)**, and **Listen Address Group (LAG)**.

4.4 BUS MANAGEMENT LINES

Five hardware lines on the **GPIB** are used for bus management. Signals on these lines are often referred to as **uniline** (single line) commands. The signals are active low, i.e. a low voltage represents a logic "1" (asserted), and a high voltage represents a logic "0" (unasserted).

4.4.1 Attention (ATN)

ATN is one of the most important lines for bus management. If Attention is asserted, then the information contained on the data lines is to be interpreted as a multiline command. If it is not, then that information is to be interpreted as data for the **Active Listeners**. The **Active Controller** is the only bus device that has control of this line.

4.4.2 Interface Clear (IFC)

The **IFC** line is used only by the **System Controller**. It is used to place all bus devices in a known state. Although device configurations vary, the **IFC** command usually places the devices in the Talk and Listen Idle states (neither **Active Talker** nor **Active Listener**).

4.4.3 Remote Enable (REN)

When the **System Controller** sends the **REN** command, bus devices will respond to remote operation. Generally, the **REN** command should be issued before any bus programming is attempted. Only the **System Controller** has control of the **Remote Enable** line.

4.4.4 End or Identify (EOI)

The **EOI** line is used to signal the last byte of a multibyte data transfer. The device that is sending the data asserts **EOI** during the transfer of the last data byte. The **EOI** signal is not always necessary as the end of the data may be indicated by some special character such as carriage return.

The **Active Controller** also uses **EOI** to perform a **Parallel Poll** by simultaneously asserting **EOI** and **ATN**.

4.4.5 Service Request (SRQ)

When a device desires the immediate attention of the **Active Controller** it asserts **SRQ**. It is then the Controller's responsibility to determine which device requested service. This is accomplished with a **Serial Poll** or a **Parallel Poll**.

4.5 HANDSHAKE LINES

The **GPIB** uses three handshake lines in an "I'm ready - Here's the data - I've got it" sequence. This handshake protocol assures reliable data transfer, at the rate determined by the slowest Listener. One line is controlled by the Talker, while the other two are shared by all Active Listeners. The handshake lines, like the other **IEEE 488** lines, are active low.

4.5.1 Data Valid (DAV)

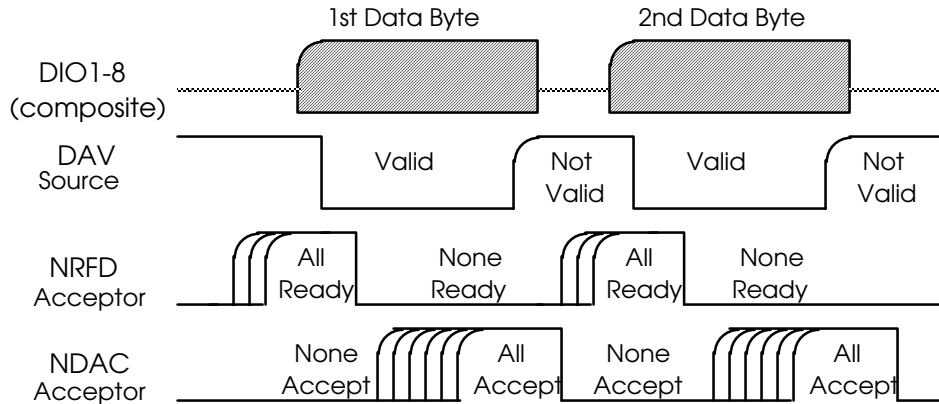
The **DAV** line is controlled by the **Talker**. The **Talker** verifies that **NDAC** is asserted (active low) which indicates that all Listeners have accepted the previous data byte transferred. The **Talker** then outputs data on the bus and waits until **NRFD** is unasserted (high) which indicates that all Addressed Listeners are ready to accept the information. When **NRFD** and **NDAC** are in the proper state, the **Talker** asserts **DAV** (active low) to indicate that the data on the bus is valid.

4.5.2 Not Ready for Data (NRFD)

This line is used by the **Listeners** to inform the **Talker** when they are ready to accept new data. The **Talker** must wait for each **Listener** to unassert this line (high) which they will do at their own rate when they are ready for more data. This assures that all devices that are to accept the information are ready to receive it.

4.5.3 Not Data Accepted (NDAC)

The **NDAC** line is also controlled by the **Listeners**. This line indicates to the **Talker** that each device addressed to listen has accepted the information. Each device releases **NDAC** (high) at its own rate, but the **NDAC** will not go high until the slowest Listener has accepted the data byte.



IEEE Bus Handshaking

4.6 DATA LINES

The **GPIB** provides eight data lines for a bit parallel/byte serial data transfer. These eight data lines use the convention of **DIO1** through **DIO8** instead of the binary designation of **D0** to **D7**. The data lines are bidirectional and are active low.

4.7 MULTILINE COMMANDS

Multiline (bus) commands are sent by the **Active Controller** over the data bus with **ATN** asserted. These commands include addressing commands for talk, listen, Untalk and Unlisten.

4.7.1 Go To Local (GTL)

This command allows the selected devices to be manually controlled. (\$01)

4.7.2 Listen Address Group (LAG)

There are 31 (0 to 30) listen addresses associated with this group. The 3 most significant bits of the data bus are set to 001 while the 5 least significant bits are the address of the device being told to listen.

4.7.3 Unlisten (UNL)

This command tells all bus devices to Unlisten. The same as Unaddressed to Listen. (\$3F)

4.7.4 Talk Address Group (TAG)

There are 31 (0 to 30) talk addresses associated with this group. The 3 most significant bits of the data bus are set to 010 while the 5 least significant bits are the address of the device being told to talk.

4.7.5 Untalk (UNT)

This command tells bus devices to Untalk. The same as Unaddressed to Talk. (\$5F)

4.7.6 Local Lockout (LLO)

Issuing the **LLO** command prevents manual control of the instrument's functions. (\$11)

4.7.7 Device Clear (DCL)

This command causes all bus devices to be initialized to a pre-defined or power up state. (\$14)

4.7.8 Selected Device Clear (SDC)

This causes a single device to be initialized to a pre-defined or power up state. (\$04)

4.7.9 Serial Poll Disable (SPD)

The **SPD** command disables all devices from sending their Serial Poll status byte. (\$19)

4.7.10 Serial Poll Enable (SPE)

A device which is Addressed to Talk will output its Serial Poll status byte after **SPE** is sent and **ATN** is unasserted. (\$18)

4.7.11 Group Execute Trigger (GET)

This command usually signals a group of devices to begin executing a triggered action. This allows actions of different devices to begin simultaneously. (\$08)

4.7.12 Take Control (TCT)

This command passes bus control responsibilities from the current **Controller** to another device which has the ability to control. (\$09)

4.7.13 Secondary Command Group (SCG)

These are any one of the 32 possible commands (0 to 31) in this group. They must immediately follow a talk or listen address. (\$60 to \$7F)

4.7.14 Parallel Poll Configure (PPC)

This configures devices capable of performing a **Parallel Poll** as to which data bit they are to assert in response to a **Parallel Poll**. (\$05)

4.7.15 Parallel Poll Unconfigure (PPU)

This disables all devices from responding to a **Parallel Poll**. (\$15)

4.8 MORE ON SERVICE REQUESTS

Most of the commands covered, both uniline and multiline, are the responsibility of the **Active Controller** to send and the bus devices to recognize. Most of these happen routinely by the interface and are totally transparent to the system programmer. Other commands are used directly by the user to provide optimum system control. Of the uniline commands, **SRQ** is very important to the test system and the software designer has easy access to this line by most devices. Service Request is the method by which a bus device can signal to the **Controller** that an event has occurred. It is similar to an interrupt in a microprocessor based system.

Most intelligent bus peripherals have the ability to assert **SRQ**. A DMM might assert it when its measurement is complete, if its input is overloaded or for any of an assortment of reasons. A power supply might **SRQ** if its output has current limited. This is a powerful bus feature that removes the burden from the **System Controller** to periodically inquire, "Are you done yet?". Instead, the **Controller** says, "Do what I told you to do and let me know when you're done" or "Tell me when something is wrong."

Since **SRQ** is a single line command, there is no way for the **Controller** to determine which device requested the service without additional information. This information is provided by the multiline commands for **Serial Poll** and **Parallel Poll**.

4.8.1 Serial Poll

Suppose the **Controller** receives a service request. For this example, let's assume there are several devices which could assert **SRQ**. The **Controller** issues an **SPE** (Serial Poll enable) command to each device sequentially. If any device responds with DIO7 asserted it indicates to the **Controller** that it was the device that asserted **SRQ**. Often times the other bits will indicate why the device wanted service. This **Serial Polling** sequence, and any resulting action, is under control of the software designer.

4.8.2 Parallel Poll

The **Parallel Poll** is another way the **Controller** can determine which device requested service. It provides the who but not necessarily the why. When bus devices are configured for Parallel Poll, they are assigned one bit on the data bus for their response. By using the Status bit, the logic level of the response can be programmed to allow logical OR/AND conditions on one data line by more than one device. When **SRQ** is asserted, the **Controller** (under user's software) conducts a **Parallel Poll**. The **Controller** must then analyze the eight bits of data received to determine the source of the request. Once the source is determined, a **Serial Poll** might be used to determine the why.

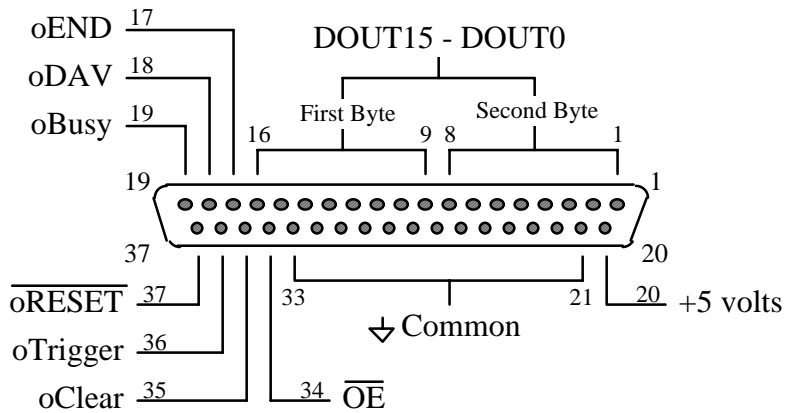
Of the two polling types, the **Serial Poll** is the most popular due to its ability to determine the who and why. In addition, most devices support **Serial Poll** only.

\$00	0	\$10	16	\$20	32	\$30	48	\$40	64	\$50	80	\$60	96	\$70	112
NUL		DLE		SP		0		@		P		`		p	
				00		16		00		16		SCG		SCG	
\$01	1	\$11	17	\$21	33	\$31	49	\$41	65	\$51	81	\$61	97	\$71	113
SOH		DC1		!		1		A		Q		a		q	
GTL		LLO		01		17		01		17		SCG		SCG	
\$02	2	\$12	18	\$22	34	\$32	50	\$42	66	\$52	82	\$62	98	\$72	114
STX		DC2		"		2		B		R		b		r	
				02		18		02		18		SCG		SCG	
\$03	3	\$13	19	\$23	35	\$33	51	\$43	67	\$53	83	\$63	99	\$73	115
ETX		DC3		#		3		C		S		c		s	
				03		19		03		19		SCG		SCG	
\$04	4	\$14	20	\$24	36	\$34	52	\$44	68	\$54	84	\$64	100	\$74	116
EOT		DC4		\$		4		D		T		d		t	
SDC		DCL		04		20		04		20		SCG		SCG	
\$05	5	\$15	21	\$25	37	\$35	53	\$45	69	\$55	85	\$65	101	\$75	117
ENQ		NAK		%		5		E		U		e		u	
PPC		PPU		05		21		05		21		SCG		SCG	
\$06	6	\$16	22	\$26	38	\$36	54	\$46	70	\$56	86	\$66	102	\$76	118
ACK		SYN		&		6		F		V		f		v	
				06		22		06		22		SCG		SCG	
\$07	7	\$17	23	\$27	39	\$37	55	\$47	71	\$57	87	\$67	103	\$77	119
BEL		ETB		'		7		G		W		g		w	
				07		23		07		23		SCG		SCG	
\$08	8	\$18	24	\$28	40	\$38	56	\$48	72	\$58	88	\$68	104	\$78	120
BS		CAN		(8		H		X		h		x	
GET		SPE		08		24		08		24		SCG		SCG	
\$09	9	\$19	25	\$29	41	\$39	57	\$49	73	\$59	89	\$69	105	\$79	121
HT		EM)		9		I		Y		i		y	
TCT		SPD		09		25		09		25		SCG		SCG	
\$0A	10	\$1A	26	\$2A	42	\$3A	58	\$4A	74	\$5A	90	\$6A	106	\$7A	122
LF		SUB		*		:		J		Z		j		z	
				10		26		10		26		SCG		SCG	
\$0B	11	\$1B	27	\$2B	43	\$3B	59	\$4B	75	\$5B	91	\$6B	107	\$7B	123
VT		ESC		+		;		K		[k		{	
				11		27		11		27		SCG		SCG	
\$0C	12	\$1C	28	\$2C	44	\$3C	60	\$4C	76	\$5C	92	\$6C	108	\$7C	124
FF		FS		,		<		L		\		l			
				12		28		12		28		SCG		SCG	
\$0D	13	\$1D	29	\$2D	45	\$3D	61	\$4D	77	\$5D	93	\$6D	109	\$7D	125
CR		GS		-		=		M]		m		}	
				13		29		13		29		SCG		SCG	
\$0E	14	\$1E	30	\$2E	46	\$3E	62	\$4E	78	\$5E	94	\$6E	110	\$7E	126
SO		RS		.		>		N		^		n		~	
				14		30		14		30		SCG		SCG	
\$0F	15	\$1F	31	\$2F	47	\$3F	63	\$4F	79	\$5F	95	\$6F	111	\$7F	127
SI		US		/		?		O		_		o		DEL	
				15		UNL		15		UNT		SCG		SCG	

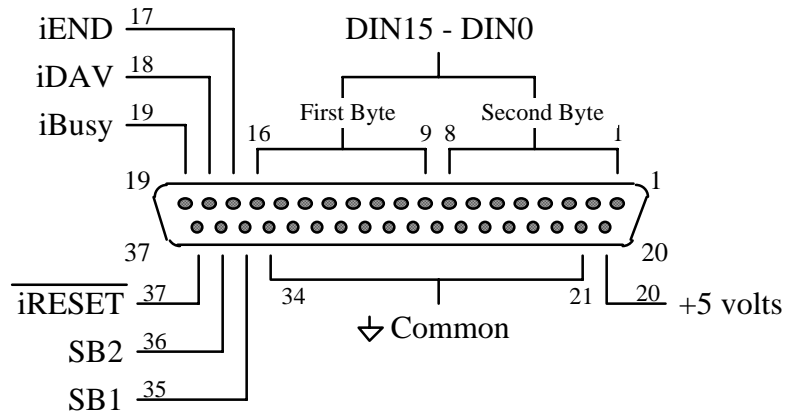
- ACG - - UCG - - LAG - - TAG - - SCG - -

ACG = Addressed Command Group
UCG = Universal Command Group
LAG = Listen Address Group

TAG = Talk Address Group
SCG = Secondary Command Group



Digital Output Port Connector



Digital Input Port Connector

Digital Output Port Connector Pin Assignments

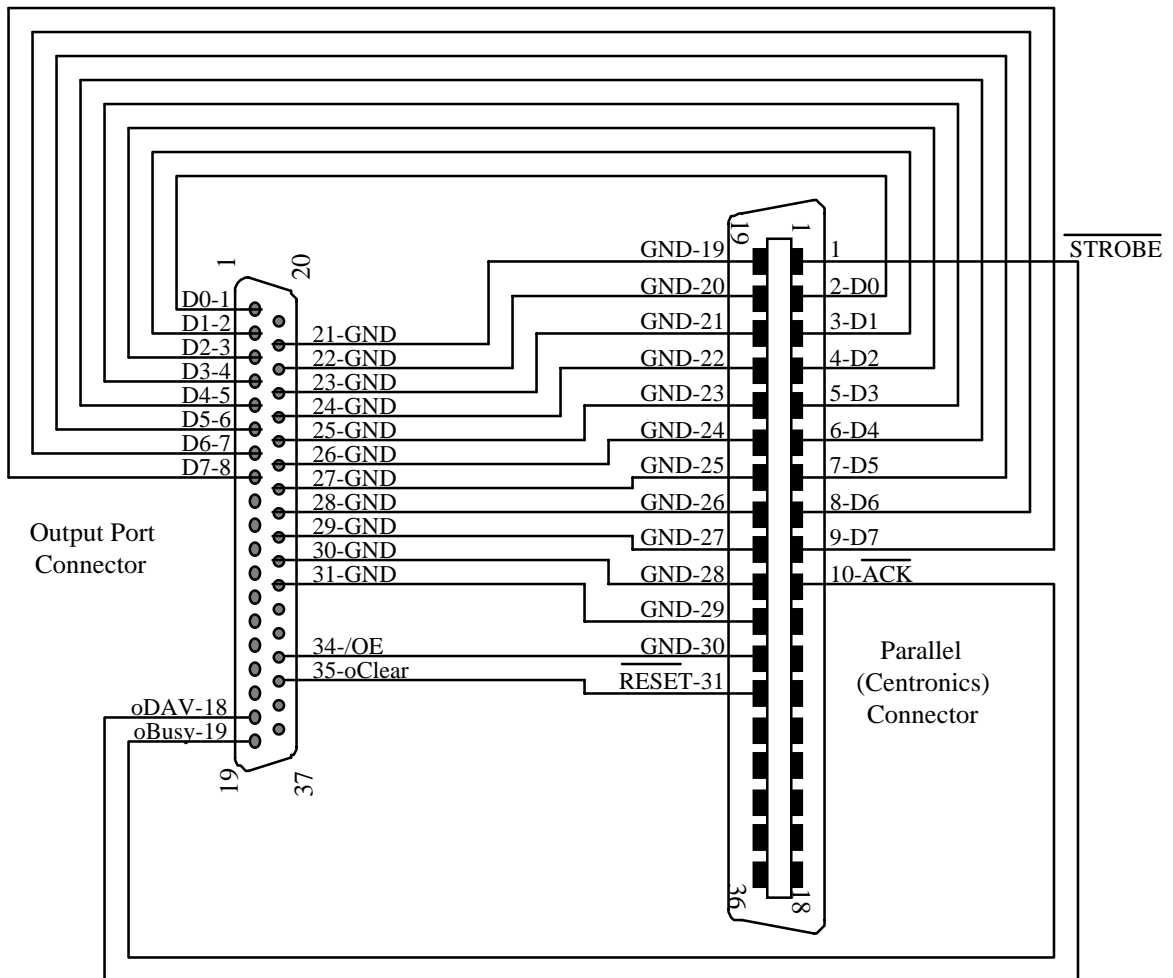
Pin	Designation	Description	Direction
1	DOUT0	Bit 0	Output - Tri-state
2	DOUT1	Bit 1	Output - Tri-state
3	DOUT2	Bit 2	Output - Tri-state
4	DOUT3	Bit 3	Output - Tri-state
5	DOUT4	Bit 4	Output - Tri-state
6	DOUT5	Bit 5	Output - Tri-state
7	DOUT6	Bit 6	Output - Tri-state
8	DOUT7	Bit 7	Output - Tri-state
9	DOUT8	Bit 8	Output - Tri-state
10	DOUT9	Bit 9	Output - Tri-state
11	DOUT10	Bit 10	Output - Tri-state
12	DOUT11	Bit 11	Output - Tri-state
13	DOUT12	Bit 12	Output - Tri-state
14	DOUT13	Bit 13	Output - Tri-state
15	DOUT14	Bit 14	Output - Tri-state
16	DOUT15	Bit 15	Output - Tri-state
17	oEND	End Of Transfer Bit	Output
18	oDAV	Output Data Available	Output
19	oBusy	Output Busy	Input
20	+5v	Logic Power	+Vcc
21	Common	Logic Common	Ground
22	Common	Logic Common	Ground
23	Common	Logic Common	Ground
24	Common	Logic Common	Ground
25	Common	Logic Common	Ground
26	Common	Logic Common	Ground
27	Common	Logic Common	Ground
28	Common	Logic Common	Ground
29	Common	Logic Common	Ground
30	Common	Logic Common	Ground
31	Common	Logic Common	Ground
32	Common	Logic Common	Ground
33	Common	Logic Common	Ground
34	/OE	Output Tri-State Enable	Input
35	oClear	Output Clear	Output
36	oTrigger	Output Trigger	Output
37	/oRESET	Output Reset	Output

Digital Input Port Connector Pin Assignments

Pin	Designation	Description	Direction
1	DIN0	Bit 0	Input
2	DIN1	Bit 1	Input
3	DIN2	Bit 2	Input
4	DIN3	Bit 3	Input
5	DIN4	Bit 4	Input
6	DIN5	Bit 5	Input
7	DIN6	Bit 6	Input
8	DIN7	Bit 7	Input
9	DIN8	Bit 8	Input
10	DIN9	Bit 9	Input
11	DIN10	Bit 10	Input
12	DIN11	Bit 11	Input
13	DIN12	Bit 12	Input
14	DIN13	Bit 13	Input
15	DIN14	Bit 14	Input
16	DIN15	Bit 15	Input
17	iEND	End Of Transfer Bit	Input
18	iDAV	Input Data Available	Input
19	iBusy	Input Busy	Output
20	+5v	Logic Power	+Vcc
21	Common	Logic Common	Ground
22	Common	Logic Common	Ground
23	Common	Logic Common	Ground
24	Common	Logic Common	Ground
25	Common	Logic Common	Ground
26	Common	Logic Common	Ground
27	Common	Logic Common	Ground
28	Common	Logic Common	Ground
29	Common	Logic Common	Ground
30	Common	Logic Common	Ground
31	Common	Logic Common	Ground
32	Common	Logic Common	Ground
33	Common	Logic Common	Ground
34	Common	Logic Common	Ground
35	SB1	Status Bit #1	Input
36	SB2	Status Bit #2	Input
37	/iRESET	Input Reset	Input

The following example uses the Digital488HS/32 as an IEEE 488 to Parallel (Centronics) converter. It uses only the output port in 8-bit mode. The IEEE 488 bus address of the Digital488HS/32 is assumed to be 08. This simple example could be expanded to include error reporting of the parallel BUSY, PAPER and /ERROR signals. All it attempts to do, however, is print a text file, "TEST.DAT," to the parallel printer.

To begin, construct this cable:



Cable Wiring - Digital488HS/32 to Parallel Cable

The Digital488HS/32 must be set up with the following switch defaults:

S1-2	Closed	8-bit Output Port Mode
S1-3	Closed	NDAC Holdoff Disabled
S1-4-8	Various	IEEE 488 Bus Address = 18
S3-6	Open	Active High Data
S3-4	Closed	Active Low Level oBusy
S3-3	Closed	Falling Edge iDAV
S3-8	Closed	Active Low oClear

This program is used to transfer the ASCII text file to the Digital488HS/32 using the IOtech Personal488 Controller package. Connect the Digital488HS/32 to the printer with the fabricated cable. Enter this simple program and print.

```
*
* Sample Program - IEEE 488 to Parallel Converter
*   Using the IOtech Model Digital488HS/32
*           October 22, 1991
*
* Initialize Driver488
10 OPEN "\DEV\IEEEOUT" FOR OUTPUT AS #1
20 IOCTL#1,"BREAK"
30 PRINT#1,"RESET"
40 OPEN "\DEV\IEEEIN" FOR INPUT AS #2
* Open the test file for printing
50 OPEN "TEST.DAT" FOR INPUT AS #3
* Reset the Parallel Printer
60 PRINT#1,"CLEAR08"
* Now output the data from the test file
70 WHILE NOT EOF(3)
80     LINE INPUT#3,A$
90     PRINT#1,"OUTPUT08;";A$
100 WEND
110 CLOSE
```



Artisan Technology Group is your source for quality new and certified-used/pre-owned equipment

- FAST SHIPPING AND DELIVERY
- TENS OF THOUSANDS OF IN-STOCK ITEMS
- EQUIPMENT DEMOS
- HUNDREDS OF MANUFACTURERS SUPPORTED
- LEASING/MONTHLY RENTALS
- ITAR CERTIFIED SECURE ASSET SOLUTIONS

SERVICE CENTER REPAIRS

Experienced engineers and technicians on staff at our full-service, in-house repair center

*InstraView*SM REMOTE INSPECTION

Remotely inspect equipment before purchasing with our interactive website at www.instraview.com ↗

WE BUY USED EQUIPMENT

Sell your excess, underutilized, and idle used equipment. We also offer credit for buy-backs and trade-ins. www.artisanng.com/WeBuyEquipment ↗

LOOKING FOR MORE INFORMATION?

Visit us on the web at www.artisanng.com ↗ for more information on price quotations, drivers, technical specifications, manuals, and documentation

Contact us: (888) 88-SOURCE | sales@artisanng.com | www.artisanng.com