



## Artisan Technology Group is your source for quality new and certified-used/pre-owned equipment

- FAST SHIPPING AND DELIVERY
- TENS OF THOUSANDS OF IN-STOCK ITEMS
- EQUIPMENT DEMOS
- HUNDREDS OF MANUFACTURERS SUPPORTED
- LEASING/MONTHLY RENTALS
- ITAR CERTIFIED SECURE ASSET SOLUTIONS

### SERVICE CENTER REPAIRS

Experienced engineers and technicians on staff at our full-service, in-house repair center

### *InstraView*<sup>SM</sup> REMOTE INSPECTION

Remotely inspect equipment before purchasing with our interactive website at [www.instraview.com](http://www.instraview.com) ↗

### WE BUY USED EQUIPMENT

Sell your excess, underutilized, and idle used equipment. We also offer credit for buy-backs and trade-ins. [www.artisanng.com/WeBuyEquipment](http://www.artisanng.com/WeBuyEquipment) ↗

### LOOKING FOR MORE INFORMATION?

Visit us on the web at [www.artisanng.com](http://www.artisanng.com) ↗ for more information on price quotations, drivers, technical specifications, manuals, and documentation

**Contact us:** (888) 88-SOURCE | [sales@artisanng.com](mailto:sales@artisanng.com) | [www.artisanng.com](http://www.artisanng.com)

### Features

- Accepts any combination of up to eight 5B isolated input signal conditioning modules
- Attaches to the WaveBook data acquisition systems
- Offers plug-in screw-terminal blocks for convenient connection of 5B modules
- Features built-in cold junction sensing for thermocouple calibration
- Features rugged all-metal construction for portable applications
- Includes a built-in power supply, operable from 10 to 30 VDC



The WBK15 accommodates up to eight 5B signal conditioning modules

The WBK15 eight-channel multifunction isolated signal conditioning module allows WaveBook data acquisition systems to accommodate any combination of up to eight optional 5B input signal conditioning modules. Each user-installable signal conditioning module offers 1500V isolation from the system and from other channels. The WBK15 is available with a wide variety of modules that accommodate an array of signals — from low-level thermocouple signals to strain gage signals.

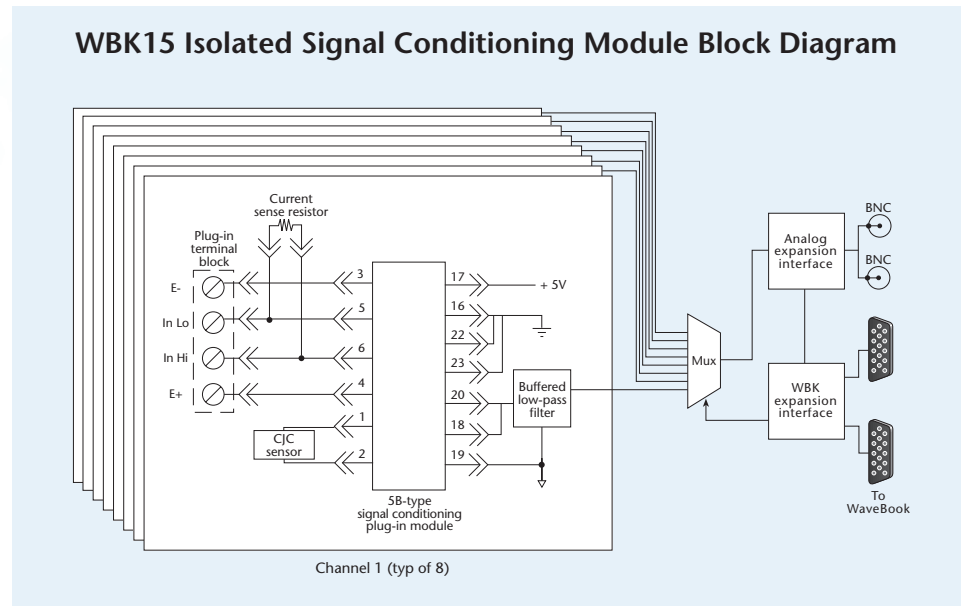
A single cable connects the WBK15's output to the WaveBook analog input connector. One WaveBook can support up to eight WBK15 units, providing a total of 64 isolated analog input channels. The WaveBook scans the WBK15's channels at the same 1  $\mu$ s/channel rate that it scans all WBK Series analog expansion and signal conditioning cards, allowing it to measure all channels of a fully configured 72-channel system in 72  $\mu$ s.

**Powering the WBK15.** The WBK15 can obtain its input power from a number of sources: an included AC adapter, an optional DBK30A rechargeable battery/excitation module, or directly from a 12 VDC source, such as an automobile battery. The WBK15 has a built-in DC/DC converter capable of powering a full complement of 5B modules — even when every channel is fully outfitted with strain gage modules with bridge excitation.



5B modules selected from a choice of types are placed into the WBK15 module

### WBK15 Isolated Signal Conditioning Module Block Diagram



# WBK15

## Specifications & Ordering Information



**Configurability.** The WBK15 offers exceptionally wide-ranging configurability. For instance, it permits you to individually select the type of signal attached to every channel. Also, there is no limit to the type and combination of signals that can be attached to the WBK15.

**Signal Connections.** Plug-in screw-terminal blocks provide a convenient way of connecting analog signals to the WBK15. Each block contains four terminals per channel, providing access to both the 5B modules' input and excitation-output features.

### Specifications

**Connector:** 2 BNC connectors, mate with expansion signal input on the WaveBook; two 15-pin connectors, mate with expansion signal control on the WaveBook

**Module Capacity:** Eight 5B modules (optional)

**Input Connections:** Removable 4-terminal plugs

**Power Requirements:** 10 to 30 VDC or 120/240 VAC with included adapter

**With 8 thermocouple-type modules:**  
0.20A @ 15 VDC

**With 8 strain gage-type modules:**  
0.75A @ 15 VDC

**Cold-Junction Sensor:** Standard per channel

**Shunt-Resistor Socket:** One per channel for current loop inputs

**Isolation**

**Signal Inputs to System:** 1500 VDC  
(600 VDC for CE compliance)

**Input Channel-to-Channel:** 1500 VDC  
(600 VDC for CE compliance)

**Dimensions:** 285 mm W x 221 mm D x 36 mm H  
(11" x 8.5" x 1.375")

**Weight:** 1.8 kg (4 lbs) with no modules installed

**Vibration:** MIL STD 810, category 1

### Ordering Information

Description	Part No.
8-channel multi-purpose signal conditioning module	WBK15

### Accessories & Cables

Rack mount kit	RackDBK2
5-pin male DIN to 5-pin male DIN provides convenient connection between WaveBook power input connectors and DBK30A (also used to daisy-chain input power to expansion modules)	CA-115
5-pin DIN to automobile cigarette lighter power cable	CA-116

### Product Compatibility

✓ WaveBook



## Artisan Technology Group is your source for quality new and certified-used/pre-owned equipment

- FAST SHIPPING AND DELIVERY
- TENS OF THOUSANDS OF IN-STOCK ITEMS
- EQUIPMENT DEMOS
- HUNDREDS OF MANUFACTURERS SUPPORTED
- LEASING/MONTHLY RENTALS
- ITAR CERTIFIED SECURE ASSET SOLUTIONS

### SERVICE CENTER REPAIRS

Experienced engineers and technicians on staff at our full-service, in-house repair center

### *InstraView*<sup>SM</sup> REMOTE INSPECTION

Remotely inspect equipment before purchasing with our interactive website at [www.instraview.com](http://www.instraview.com) ↗

### WE BUY USED EQUIPMENT

Sell your excess, underutilized, and idle used equipment. We also offer credit for buy-backs and trade-ins. [www.artisanng.com/WeBuyEquipment](http://www.artisanng.com/WeBuyEquipment) ↗

### LOOKING FOR MORE INFORMATION?

Visit us on the web at [www.artisanng.com](http://www.artisanng.com) ↗ for more information on price quotations, drivers, technical specifications, manuals, and documentation

**Contact us:** (888) 88-SOURCE | [sales@artisanng.com](mailto:sales@artisanng.com) | [www.artisanng.com](http://www.artisanng.com)