

ERB-24

**USER'S GUIDE**

# **ERB-24 User's Guide**

Revision B - July 1994  
Part Number: 63930

## **New Contact Information**

Keithley Instruments, Inc.  
28775 Aurora Road  
Cleveland, OH 44139

Technical Support: 1-888-KEITHLEY  
Monday – Friday 8:00 a.m. to 5:00 p.m (EST)  
Fax: (440) 248-6168

Visit our website at <http://www.keithley.com>

The information contained in this manual is believed to be accurate and reliable. However, Keithley Instruments, Inc., assumes no responsibility for its use or for any infringements of patents or other rights of third parties that may result from its use. No license is granted by implication or otherwise under any patent rights of Keithley Instruments, Inc.

KEITHLEY INSTRUMENTS, INC., SHALL NOT BE LIABLE FOR ANY SPECIAL, INCIDENTAL, OR CONSEQUENTIAL DAMAGES RELATED TO THE USE OF THIS PRODUCT. THIS PRODUCT IS NOT DESIGNED WITH COMPONENTS OF A LEVEL OF RELIABILITY SUITABLE FOR USE IN LIFE SUPPORT OR CRITICAL APPLICATIONS.

Refer to your Keithley Instruments license agreement and Conditions of Sale document for specific warranty and liability information.

All brand and product names are trademarks or registered trademarks of their respective companies.

© Copyright Keithley Instruments, Inc., 1992, 1994.

All rights reserved. Reproduction or adaptation of any part of this documentation beyond that permitted by Section 117 of the 1976 United States Copyright Act without permission of the Copyright owner is unlawful.

**Keithley MetraByte Division**

**Keithley Instruments, Inc.**

440 Myles Standish Blvd. Taunton, MA 02780

Telephone: (508) 880-3000 | FAX: (508) 880-0179

# Preface

This manual describes how to cable, wire, program, and use ERB-24 relay output boards with digital I/O boards, such as the PIO-12.

This guide serves data acquisition system designers, engineers, technicians, programmers, scientists, and other users responsible for setting up, cabling, wiring, and writing programs that access the functionality of the ERB-24 board. This guide assumes that you are familiar with data acquisition and programming principles and with your particular application.

The *ERB-24 User's Guide* is organized as follows:

- | Chapter 1 briefly describes the features, applications, and accessories supported by the ERB-24.
- | Chapter 2 describes the features of the ERB-24 in more detail and provides a block diagram of the board.
- | Chapter 3 describes how to unpack and set up the ERB-24 board.
- | Chapter 4 describes how to attach the ERB-24 to digital I/O boards.
- | Chapter 5 provides an example of accessing the functionality of an ERB-24 board using a PIO-12 board and the BASIC programming language.
- | Chapter 6 provides troubleshooting information and information on how to obtain technical support and repairs for the ERB-24.
- | Appendix A lists the specifications for the ERB-24.
- | Appendix B lists the connector pin assignments for the ERB-24.

An index completes this guide.

# Table of Contents

## Preface

<b>1</b>	<b>Overview</b>	
	Features .....	1-1
	Applications .....	1-2
	Accessories .....	1-2
<b>2</b>	<b>Functional Description</b>	
<b>3</b>	<b>Setup</b>	
	Unpacking the Board .....	3-1
	Setting the AC Line Voltage .....	3-2
<b>4</b>	<b>Cabling and Wiring</b>	
	Connector Pin Assignments .....	4-1
	Attaching to a PIO-12, PIO-24, $\mu$ CPIO-12, or $\mu$ CPIO-24 .....	4-4
	Attaching to the DAS-1600 or DAS-1200 Series .....	4-5
	Attaching to a PIO-96 .....	4-6
<b>5</b>	<b>Programming</b>	
	PIO-12 Relay Signal Names .....	5-1
	BASIC Example .....	5-2
<b>6</b>	<b>Troubleshooting</b>	
	Problem Isolation .....	6-1
	Technical Support .....	6-2
<b>A</b>	<b>Specifications</b>	
<b>B</b>	<b>Connector Pin Assignments</b>	
	37-Pin Connector .....	B-1
	50-Pin Connector .....	B-2

## Index

### List of Figures

Figure 2-1.	ERB-24 Block Diagram . . . . .	2-2
Figure 2-2.	Typical Relay Channel . . . . .	2-2
Figure 3-1.	ERB-24 Board Layout . . . . .	3-2
Figure 4-1.	Pin Assignments of the 37-Pin Connector (J14) . .	4-2
Figure 4-2.	Pin Assignments of the 50-Pin Connector (J15) . .	4-3
Figure 4-3.	Attaching to a PIO-12, PIO-24, $\mu$ CPIO-12, or $\mu$ CPIO-24 Board . . . . .	4-4
Figure 4-4.	Attaching to a DAS-1600 or DAS-1200 Series Board . . . . .	4-5
Figure 4-5.	Attaching to a PIO-96 Board . . . . .	4-6
Figure B-1.	Pin Assignments for the 37-Pin Connector (J14)	B-1
Figure B-2.	Pin Assignments for the 50-Pin Connector (J15)	B-2

### List of Tables

Table 5-1.	PIO-12 Relay Signals . . . . .	5-1
Table 6-1.	Troubleshooting Information . . . . .	6-2
Table A-1.	ERB-24 Specifications . . . . .	A-1

# 1

## Overview

The ERB-24 is a 24-channel relay output board. This chapter describes the features and typical applications of the ERB-24 and the accessories provided for the board.

### Features

---

The ERB-24 is compatible with the PIO-12, PIO-24, PIO-96,  $\mu$ CPIO-12, and  $\mu$ CPIO-24 digital I/O boards. The ERB-24 is also compatible with the digital I/O section of the DAS-1600 Series and DAS-1200 Series boards.

The ERB-24 provides the following features:

- | 24 double-pole, double-throw relays (dual form C)
- | 3 A contact rating (120 Vrms)
- | Built-in power supply
- | Screw terminals that accept 12-22 AWG wire
- | LEDs that indicate activated relays
- | 37-pin connector
- | 50-pin connector



## Applications

---

The following are typical applications for the ERB-24:

- | Energy management
- | Laboratory automation
- | Product testing
- | Process control
- | Alarm activation
- | Annunciator lighting

## Accessories

---

The optional accessories for the ERB-24 board include the following:

- | **C-1800** - Cable for connecting an ERB-24 to a PIO-12, PIO-24,  $\mu$ CPIO-12,  $\mu$ CPIO-24, DAS-1600 Series, or DAS-1200 Series board. The standard cable is 1.5 feet long. The C-1800 cable is available in different lengths, if required. Refer to the Keithley MetraByte catalog for more information on ordering the C-1800 in different lengths.
- | **CACC-2000** - Cable for connecting an ERB-24 to a PIO-96 digital I/O board.
- | **RMT-02** - Rack-mountable enclosure. The RMT-02 installs into any standard 19-inch rack, such as a Keithley MetraByte RMF-06 or RTT-02.
- | **SFC-37** - 37-pin mating connector for making custom digital inputs.

# 2

## Functional Description

Each of the 24 relays on the ERB-24 board is supported by its own control line. The relay is an electromechanical, dual form C (double-pole, double-throw) module capable of switching loads under program control. The electromechanical relays offer zero-leakage output currents.

Each relay contains two normally open contacts and two normally closed contacts. Each contact can switch up to 3 A (resistive) at 120 Vrms.

The ERB-24 provides both a 37-pin and a 50-pin connector. The 37-pin connector is provided for connecting to a PIO-12, PIO-24,  $\mu$ CPIO-12, or  $\mu$ CPIO-24 digital I/O board or to the 37-pin auxiliary connector on a DAS-1600 Series or DAS-1200 Series board. The 50-pin connector is provided for connecting to a PIO-96 digital I/O board.

A 5 V signal applied to the corresponding relay control pin on the connector energizes the relay. Onboard transistor drivers allow control of the ERB-24 by any LSTTL- or NMOS/ CMOS-compatible digital output board.

The ERB-24 contains an annunciator LED for each relay for purposes of monitoring and troubleshooting. Each annunciator LED lights when its associated relay is energized.

The board also contains its own power supply. The power supply operates on 115/230 VAC and accepts 15% voltage fluctuations. Operating temperatures range from 0° to 60°C.

A block diagram of the ERB-24 board is shown in Figure 2-1. Figure 2-2 shows the circuitry for a single relay channel.

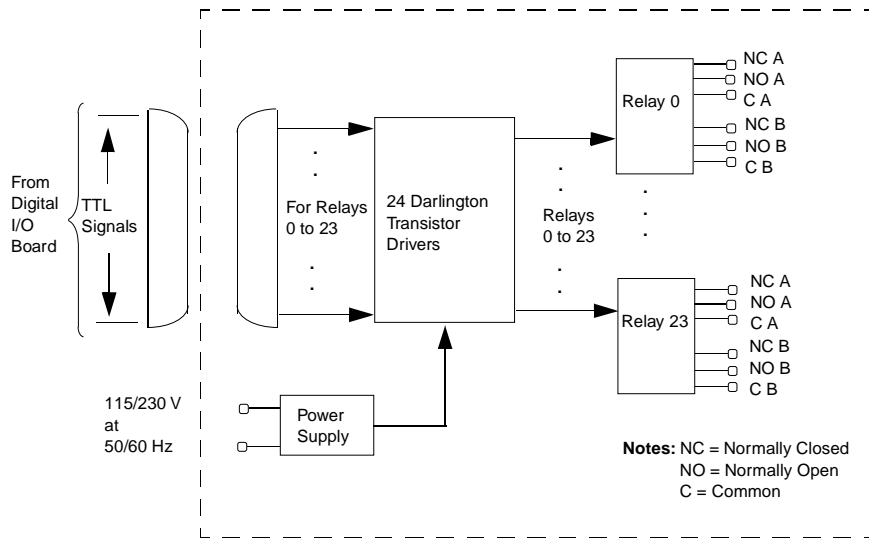


Figure 2-1. ERB-24 Block Diagram



Figure 2-2. Typical Relay Channel

# 3

## Setup

This chapter describes how to set up your ERB-24 board. If you encounter any problems with the board after setting it up, refer to Chapter 6 for troubleshooting information.

### Unpacking the Board

---

---

**Caution:** A discharge of static electricity from your hands can seriously damage certain electrical components on any circuit board. It is recommended that you use wrist strap grounds when handling a board. If a wrist strap ground is not available, make sure that you discharge static electricity from yourself by touching a grounded conductor such as your computer chassis (your computer must be turned off).

Whenever you handle a board, hold it by the edges and avoid touching any board components.

---

Use the following procedure to unpack an ERB-24 board:

1. Remove the board from its anti-static wrapping material. You may wish to store the wrapping material for possible future use.
2. Inspect the board for signs of damage. If damage is apparent, arrange to return the board (see page 6-2).
3. Check the remaining contents of your package against the packing list to be sure your order is complete. Report any missing items, immediately.

- Once you have determined that the board is acceptable, select the appropriate AC line voltage, as described in the next section.

## Setting the AC Line Voltage

**Caution:** Be sure to set the AC line voltage for the voltage you are using before connecting the ERB-24 to line power. The default setting is 115 V.

The 115/230 AC Line Voltage Selector is a 2-position slide switch located as shown in Figure 3-1. To change the line voltage setting, slide the switch to the appropriate setting (115 V or 230 V) marked on the switch.

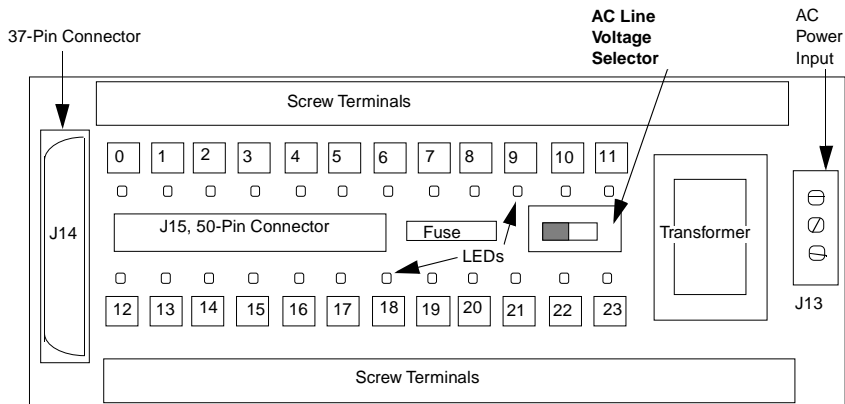


Figure 3-1. ERB-24 Board Layout

Once you have set the AC line voltage, you can attach accessories and wire applications to the ERB-24 board, as discussed in Chapter 4.

# 4

## Cabling and Wiring

Once you have set up the ERB-24, you can attach accessories and wire applications to the board. This chapter describes the pin assignments of the connectors on the ERB-24 and how to attach the ERB-24 to digital I/O boards.

### Connector Pin Assignments

---

The ERB-24 board contains two connectors: a 37-pin, D-type, male connector (J14) and a 50-pin connector (J15), shown in Figure 3-1. The pin assignments of the 37-pin connector are shown in Figure 4-1; the pin assignments of the 50-pin connector are shown in Figure 4-2.

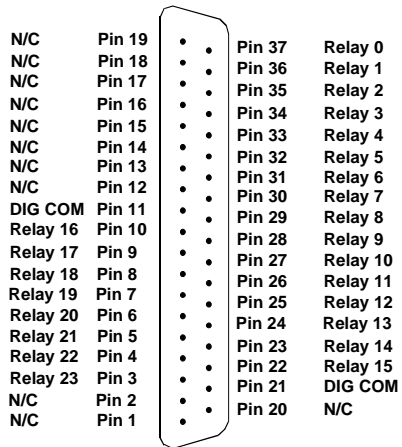


Figure 4-1. Pin Assignments of the 37-Pin Connector (J14)

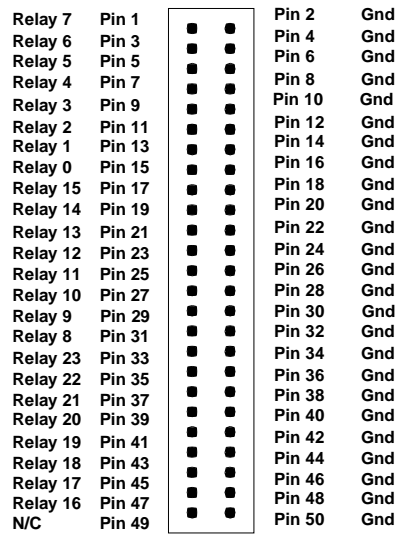


Figure 4-2. Pin Assignments of the 50-Pin Connector (J15)



## Attaching to a PIO-12, PIO-24, $\mu$ CPIO-12, or $\mu$ CPIO-24

To attach the ERB-24 to a PIO-12, PIO-24,  $\mu$ CPIO-12, or  $\mu$ CPIO-24 digital I/O board, connect a C-1800 cable to the 37-pin connector on the ERB-24 (J14), as shown in Figure 4-3.

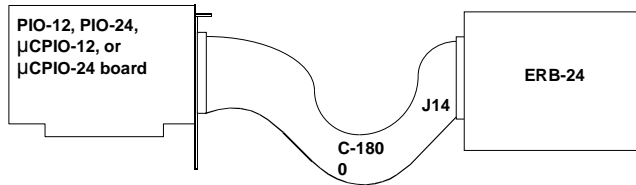


Figure 4-3. Attaching to a PIO-12, PIO-24,  $\mu$ CPIO-12, or  $\mu$ CPIO-24 Board

## Attaching to the DAS-1600 or DAS-1200 Series

---

To attach the ERB-24 to a DAS-1600 or DAS-1200 Series board, first attach the DAS board end of the PIO cable that comes with the DAS-1600 and DAS-1200 Series boards to the PIO cable connector (J2) on the DAS board. Next, install the 37-pin D-type connector of the PIO cable in the connector panel next to the main I/O connector (J1) of the DAS-1600 or DAS-1200 Series board. Finally, attach connector J14 on the ERB-24 to the 37-pin D-type connector of the PIO cable with the C-1800 cable. Figure 4-4 illustrates these connections.

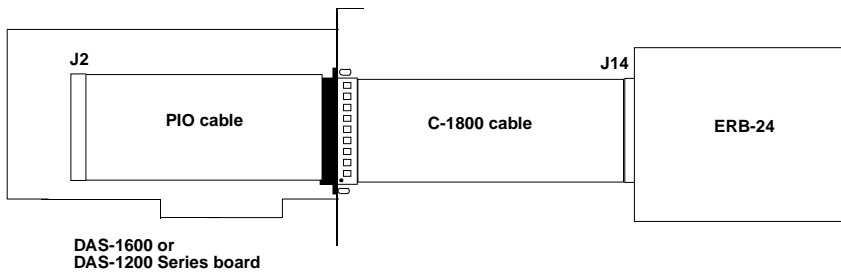


Figure 4-4. Attaching to a DAS-1600 or DAS-1200 Series Board

## Attaching to a PIO-96

---

You can attach up to four ERB-24 boards to a PIO-96 digital I/O board. To attach an ERB-24 to a PIO-96, connect the CACC-2000 cable to the 50-pin connector (J15) on the ERB-24 board and to the 50-pin connector on the PIO-96, as shown in Figure 4-5.

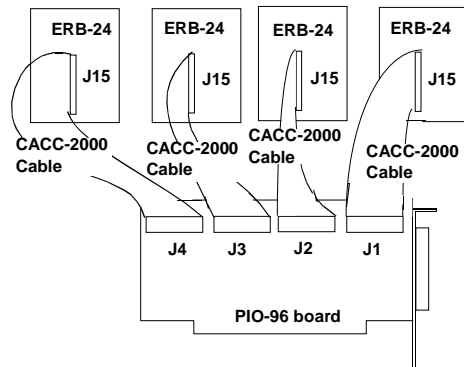


Figure 4-5. Attaching to a PIO-96 Board

# 5

## Programming

This chapter provides an example of how to activate relays on the ERB-24 using a PIO-12 digital I/O board and BASIC as the programming language.

### PIO-12 Relay Signal Names

Table 5-1 lists the PIO-12 signal names and the corresponding ERB-24 relays.

**Table 5-1. PIO-12 Relay Signals**

Relay	Signal	Relay	Signal
0	PA0	12	PC4
1	PA1	13	PC5
2	PA2	14	PC6
3	PA3	15	PC7
4	PA4	16	PB0
5	PA5	17	PB1
6	PA6	18	PB2
7	PA7	19	PB3
8	PC0	20	PB4
9	PC1	21	PB5
10	PC2	22	PB6
11	PC3	23	PB7

## BASIC Example

---

The following simple BASIC program activates relays on the ERB-24 used with a PIO-12 board:

```
10 OUT &H313, &H80 'Sets all PIO-12 ports to outputs
20 OUT &H310, 1    'Activates relay 0 (Port A, Bit 0)
30 OUT &H311, 16   'Activates relay 20 (Port B, Bit 4)
40 OUT &H312, 3    'Activates relays 8 and 9
                   '(Port C, Bits 0 and 1)
```

# 6

## Troubleshooting

If your ERB-24 board is not operating properly, use the information in this chapter to help you isolate the problem. If the problem appears serious enough to require technical support, refer to page 6-2 for information on how to contact an applications engineer.

### **Problem Isolation**

---

If you encounter a problem with an ERB-24 board, use the troubleshooting information in Table 6-1 to try to isolate the problem. Table 6-1 lists general symptoms and possible solutions for problems with ERB-24 boards.

**Table 6-1. Troubleshooting Information**

Symptom	Possible Cause	Possible Solution
Board does not respond	The board is damaged.	Contact the Keithley Applications Engineering Department; see page 6-2.
	Bad cable or cable not connected.	Check cable connections. Replace cable if defective.
	No A/C or power cord not plugged in.	Check power connections to board.
Intermittent operation	Vibrations or loose connections exist.	Cushion source of vibration and tighten connections. Check cable.
	The board is overheating.	Check environmental and ambient temperature. See the documentation for your computer for specifications.
	Electrical noise exists.	Provide better shielding or reroute wiring.
Data appears to be invalid	An open connection exists.	Check wiring to screw terminal.
	Outputs not indicating proper level.	Check that the circuit is complete (are both relay connections used?).  You may need to apply pull-up resistors for the external source.

If your board is not operating properly after using the information in Table 6-1, refer to the next section for information on how to contact an applications engineer.

## Technical Support

---

Before returning any equipment for repair, call the Keithley MetraByte Hardware Applications Engineering Department at:

**(508) 880-3000**

**Monday - Friday, 8:00 A.M. - 6:00 P.M., Eastern Time**

An applications engineer will help you diagnose and resolve your problem over the telephone. Please make sure that you have the following information available before you call:

<b>ERB-24 Board</b>	Serial #	_____
	Revision code	_____
	VAC line voltage	_____
<b>Digital I/O Board</b>	Type	_____
	Serial #	_____
	Base address	_____
	Interrupt selection	_____
<b>Computer</b>	Manufacturer	_____
	CPU type	8088, 286, 386, 486, Pentium, _____
	Clock speed (MHz)	8 12 20 25 33 _____
	Math coprocessor	Yes No
	Amount of RAM	_____
	Video system	CGA Hercules EGA VGA
	BIOS type	_____
<b>Operating system</b>	DOS version	_____
	Windows version	3.0 3.1 _____
	Windows mode	Standard Enhanced
<b>Software package (if applicable)</b>	Name	_____
	Version	_____
	Invoice/order #	_____
<b>Compiler (if applicable)</b>	Language	_____
	Manufacturer	_____
	Version	_____



If a telephone resolution is not possible, the applications engineer will issue you a Return Material Authorization (RMA) number and ask you to return the equipment. Include the RMA number with any documentation regarding the equipment.

When returning equipment for repair, include the following information:

- | Your name, address, and telephone number.
- | The invoice or order number and date of equipment purchase.
- | A description of the problem or its symptoms.
- | The RMA number on the **outside** of the package.

Repackage the equipment, using the original anti-static wrapping, if possible, and handling it with ground protection. Ship the equipment to:

**ATTN: RMA # \_\_\_\_\_**  
**Repair Department**  
**Keithley Metrabyte**  
**440 Myles Standish Boulevard**  
**Taunton, Massachusetts 02780**

**Telephone (508) 880-3000**  
**Telex 503989**  
**FAX 508/880-0179**

---

**Notes:** If you are submitting your equipment for repair under warranty, you must include the invoice number and date of purchase.

To enable Keithley Metrabyte to respond as quickly as possible, you must include the RMA number on the outside of the package.

---

# A

## Specifications

Table A-1 lists the specifications for the ERB-24.

**Table A-1. ERB-24 Specifications**

<b>Feature</b>	<b>Attribute</b>	<b>Specification</b>
Relays	Quantity and type	24 DPDT, dual form C
	Contact material	Gold overlay silver
	Contact rating	3 A at 28 VDC, resistive 3 A at 120 VAC, resistive 1.6 A at 220 VAC
	Operate time	20 ms maximum at rated voltage
	Release time	10 ms maximum
	Life expectancy Mechanical Electrical	$10^7$ operations/minute $10^5$ operations/minute at rated load
Environmental	Operating temperature range	0° to 60°C
	Storage temperature range	-40° to +100°C
	Humidity	0 to 90% noncondensing
Power Consumption	Input power	115 VAC ±15% (2 A fuse) 230 VAC ±15% (1 A fuse) 50/60 Hz, 14.5 VA maximum

**Table A-1. ERB-24 Specifications (cont.)**

<b>Feature</b>	<b>Attribute</b>	<b>Specification</b>
Physical	Dimensions	16-inches long by 4.75-inches wide by 2-inches high  (40.6 cm long by 12.1 cm wide by 5.1 cm high)
	Weight	2.2 lb (1 kg)
	Screw terminal wire spacing	0.197 inches (5 mm)
	Screw terminal wire sizes	12-22 AWG
	Mounting screws for boards	4-40

# B

## Connector Pin Assignments

This appendix contains the pin assignments for the ERB-24 board connectors.

### 37-Pin Connector

---

Pin assignments for the 37-pin connector, J14, on the ERB-24 are shown in Figure B-1.

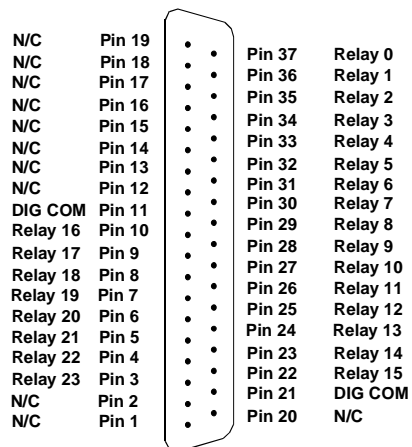


Figure B-1. Pin Assignments for the 37-Pin Connector (J14)

## 50-Pin Connector

---

Pin assignments for the 50-pin connector, J15, on the ERB-24 are shown in Figure B-2.

Relay 7	Pin 1	■	■	Pin 2	Gnd
Relay 6	Pin 3	■	■	Pin 4	Gnd
Relay 5	Pin 5	■	■	Pin 6	Gnd
Relay 4	Pin 7	■	■	Pin 8	Gnd
Relay 3	Pin 9	■	■	Pin 10	Gnd
Relay 2	Pin 11	■	■	Pin 12	Gnd
Relay 1	Pin 13	■	■	Pin 14	Gnd
Relay 0	Pin 15	■	■	Pin 16	Gnd
Relay 15	Pin 17	■	■	Pin 18	Gnd
Relay 14	Pin 19	■	■	Pin 20	Gnd
Relay 13	Pin 21	■	■	Pin 22	Gnd
Relay 12	Pin 23	■	■	Pin 24	Gnd
Relay 11	Pin 25	■	■	Pin 26	Gnd
Relay 10	Pin 27	■	■	Pin 28	Gnd
Relay 9	Pin 29	■	■	Pin 30	Gnd
Relay 8	Pin 31	■	■	Pin 32	Gnd
Relay 23	Pin 33	■	■	Pin 34	Gnd
Relay 22	Pin 35	■	■	Pin 36	Gnd
Relay 21	Pin 37	■	■	Pin 38	Gnd
Relay 20	Pin 39	■	■	Pin 40	Gnd
Relay 19	Pin 41	■	■	Pin 42	Gnd
Relay 18	Pin 43	■	■	Pin 44	Gnd
Relay 17	Pin 45	■	■	Pin 46	Gnd
Relay 16	Pin 47	■	■	Pin 48	Gnd
N/C	Pin 49	■	■	Pin 50	Gnd

Figure B-2. Pin Assignments for the 50-Pin Connector (J15)

# Index

## Numerics

- 37-pin connector 2-1
  - pin assignments 4-2, B-1
- 50-pin connector 2-1
  - pin assignments 4-3, B-2

## A

- AC line voltage 3-2
- accessories 1-2
  - C-1800 1-2
  - CACC-2000 1-2
  - RMT-02 1-2
  - SFC-37 1-2
- applications 1-2
- Applications Engineering Department 6-2
- attaching
  - DAS-1200 Series 4-5
  - DAS-1600 Series 4-5
  - μCPIO-12 4-4
  - μCPIO-24 4-4
  - PIO-12 4-4
  - PIO-24 4-4
  - PIO-96 4-6

## B

- BASIC example 5-2
- block diagram 2-2
- board layout 3-2

## C

- C-1800 1-2, 4-4, 4-5
- cabling 4-1
- CACC-2000 1-2, 4-6
- connector pin assignments 4-1
- connectors 2-1
- contacts 1-1, 2-1

## D

- DAS-1200 Series 1-1
  - attaching 4-5
- DAS-1600 Series 1-1
  - attaching 4-5

## E

- energizing a relay 2-1
- example 5-2

## F

- features 1-1
- functional description 2-1

## G

- getting help 6-2

## I

- isolating problems 6-1

## **J**

J14 4-2  
J15 4-3

## **L**

layout 3-2  
LED 1-1, 2-1  
line voltage 3-2

## **M**

μCPIO-12 1-1  
    attaching 4-4  
μCPIO-24 1-1  
    attaching 4-4

## **P**

pin assignments 4-1  
    37-pin connector 4-2, B-1  
    50-pin connector 4-3, B-2  
PIO cable 4-5  
PIO-12 1-1  
    attaching 4-4  
    relay signal names 5-1  
PIO-24 1-1  
    attaching 4-4  
PIO-96 1-1  
    attaching 4-6  
power supply 1-1, 2-1  
problem isolation 6-1  
programming 5-1

## **R**

relay channel 2-2  
relays 1-1  
returning equipment 6-4  
RMA number 6-4  
RMT-02 1-2

## **S**

screw terminals 1-1  
setting the AC line voltage 3-2  
setting up the ERB-24 3-1  
SFC-37 1-2  
specifications A-1

## **T**

technical support 6-2  
transistor drivers 2-1  
troubleshooting 6-1

## **U**

unpacking the board 3-1

## **W**

warranty repairs 6-4