



Artisan Technology Group is your source for quality new and certified-used/pre-owned equipment

- FAST SHIPPING AND DELIVERY
- TENS OF THOUSANDS OF IN-STOCK ITEMS
- EQUIPMENT DEMOS
- HUNDREDS OF MANUFACTURERS SUPPORTED
- LEASING/MONTHLY RENTALS
- ITAR CERTIFIED SECURE ASSET SOLUTIONS

SERVICE CENTER REPAIRS

Experienced engineers and technicians on staff at our full-service, in-house repair center

*InstraView*SM REMOTE INSPECTION

Remotely inspect equipment before purchasing with our interactive website at www.instraview.com ↗

WE BUY USED EQUIPMENT

Sell your excess, underutilized, and idle used equipment. We also offer credit for buy-backs and trade-ins. www.artisanng.com/WeBuyEquipment ↗

LOOKING FOR MORE INFORMATION?

Visit us on the web at www.artisanng.com ↗ for more information on price quotations, drivers, technical specifications, manuals, and documentation

Contact us: (888) 88-SOURCE | sales@artisanng.com | www.artisanng.com

MMI-220

Features

- 2 Line by 20 Character Display
- Bar Graph Capable
- Connects to The PLC's Programming Port
- The Number of Messages To View Machine / Process Status is Limited Only by Memory
- Recipe Management with Retentive Internal Registers
- User Friendly Prompts to Change Data and Presets
- 20 Programmable (40 using shift key) Push-Buttons and LED's
- Setup software can convert projects from one PLC brand to another

DESCRIPTION

The new MMI-220 from KEP is a simple, easy to use, cost effective interface. It communicates with the PLC directly through the programming port. Expensive I/O, interface ladder logic or hard wiring are no longer needed.

FUNCTION KEYS

The MMI-220 has 20 (40 using shift key) user definable keys which can be used as push buttons or as selector switches. Each key can be defined to do one of the following functions:

- Turn specified bits ON or OFF
- Hold Specified bits ON or OFF while the key is pressed
- Toggle the status of a specified bit (like a selector switch).
- Edit or download constants and recipe values to the PLC.
- Trigger a message for data entry.
- Trigger a message chain or linked list useful for machine setup etc..

Access to Function keys can be password protected.

ANNUNCIATOR LEDS

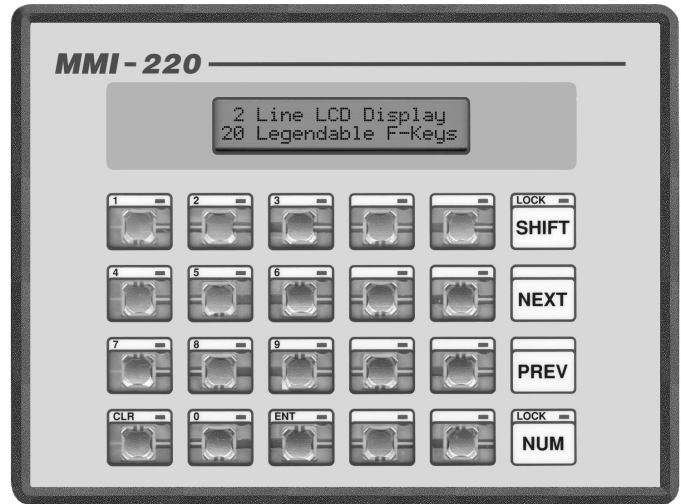
The MMI-220 has 20 user definable LEDs for the purpose of annunciation The LEDs are mapped to a user definable register In the PLC. A beeper is also provided for annunciation.

ENTERING DATA -- The NUM key is used for changing bit, register, preset and accumulator values.

A new value may be entered into a register if:

- a) The register is not Password protected; or
- b) The Password is assigned a value of 0000.

Programmable Push Button and Message Panel



- Message Chaining and Linking
- Serial Printer Port, Beeper and Open Collector Output

Press the NUM key to change a bit status, register, preset or accumulator value while it is being displayed. You will notice that the last digit of the displayed value or status is flashing. This indicates that the unit is ready to accept a new value. Use the CLR key and Number keys to change the flashing value. Press ENT to accept the value.

If the register or bit is assigned write protection the unit will prompt the operator for the Write Password when the NUM button is pressed. The password is entered the same way that new data is entered as described above.

MESSAGES

The MMI-220 can store a large number of messages. A register called the Message Triggering Register (MTR) is defined in the PLC. The MMI-220 reads the contents of this register in every scan and the message corresponding to the number in the MTR is displayed on the MMI-220. A message can be assigned to each line on the MMI-220. Messages can scroll, flash, have minimum time for display and can be chained or linked to other messages. They can also be designated to be printed through the serial port.

A list of messages can be defined (called linked messages) allowing the operator to scroll through this list of messages simply by pressing the NEXT key.

Messages can have PLC data embedded in Decimal, Hex, Binary or BCD formats. They can also have text dependent on a bit status or can have data displayed as a bar graph making the unit very user friendly.

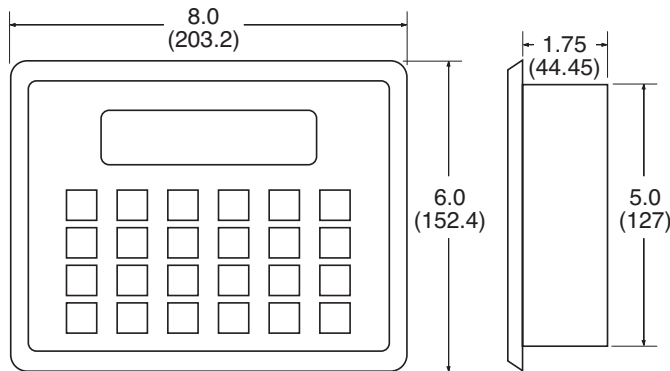
SETUP

The MMI-220 is setup on an IBM PC using a Windows™ based setup software package. Simply point and click and you are ready to go!

SPECIFICATIONS

Power	12 to 24 VDC, 6W Maximum
Display	LCD Backlit Liquid Crystal Display; 2 lines; 20 characters per line; character height is 0.2" VFD Vacuum Fluorescent Display; 2 lines; 20 characters per line; character height is 0.2"
Bezel	NEMA 4 / IP65 rated membrane keypad
Temperature	Operating: - 0 to 50 degrees C Storage: -40 to 90 degrees C
Humidity	10% to 90% (Non condensing)
Size	8" W x 6" H x 1.75" D (203.2 mm x 152.4 mm x 44.45 mm)
Panel Cutout:	7.1"W x 5.1"H (180.3 mmWx 152.4 mm H)
Communication	Using the programming or the standard communication port of the PLC
Memory	32k EEPROM
Open Collector O/P	24 Volts at 100 mA maximum
Immunity to ESD	8 kV Air, 6 kV Contact as per IEC801-2
Immunity to Transients	2 kV as per IEC801-4 2 kV 1 us Impulse Noise
Radiated Susceptibility	10 Volts/meter as per IEC801-3
Emissions	EN5501,1 CISPR A
Approvals	CE Pending

Dimensions:



PANEL CUTOUT: 7.1 (180.3) X 5.1 (129.5)

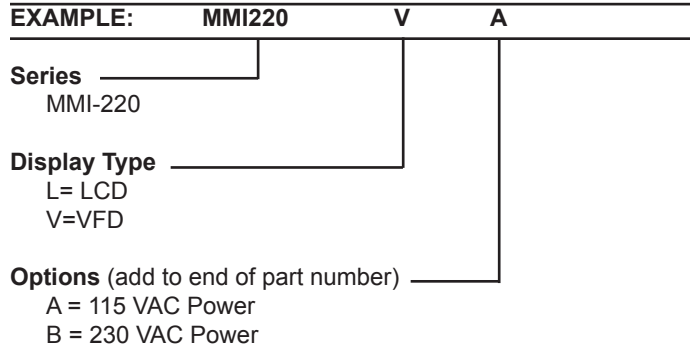
All Dimensions in inches (mm)

MMI Setup Software Information

The Windows® based MMI setup software is a convenient way to setup this PLC Interface Product.

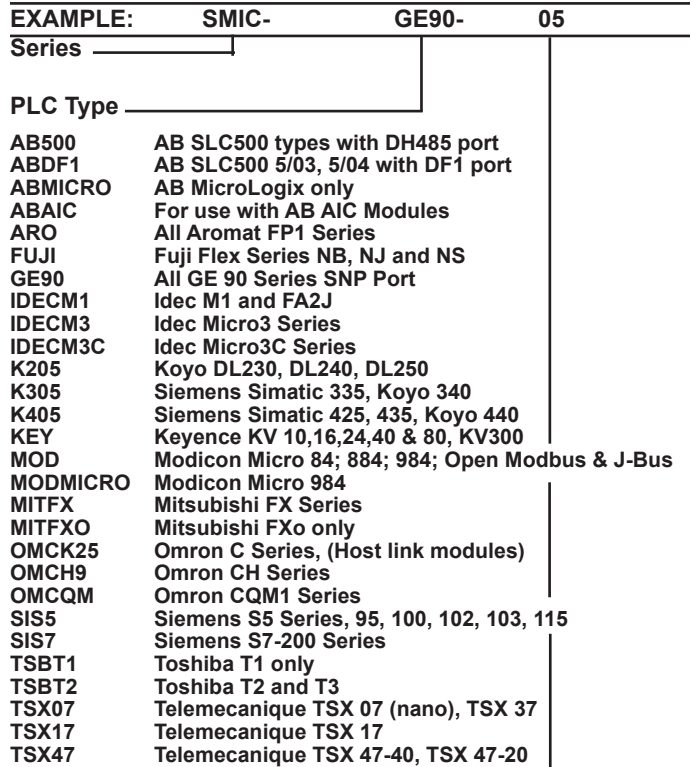


How To Order:



For PLC Type

Use Smart cable part number as indicated below. Also refer to SMIC Cables in the Accessories Section of this catalog. The MMI-220 will not operate without a smart cable and software.



Cable Length

05 = 5 feet

Accessories:

ZA9M9F - Five feet of cable with DB9 male connector and DB9 female connector.
(PC end, normally used for "AT" COM1)

ZA9M25F - Five feet of cable with DB9 male connector and DB25 female connector.
(PC end, normally used for "XT" or "AT" COM2)

Free MMISoft setup software is included with each unit.

Our software makes Function Key setup a snap!
Create, Edit and View messages with Point & Click Ease!



Artisan Technology Group is your source for quality new and certified-used/pre-owned equipment

- FAST SHIPPING AND DELIVERY
- TENS OF THOUSANDS OF IN-STOCK ITEMS
- EQUIPMENT DEMOS
- HUNDREDS OF MANUFACTURERS SUPPORTED
- LEASING/MONTHLY RENTALS
- ITAR CERTIFIED SECURE ASSET SOLUTIONS

SERVICE CENTER REPAIRS

Experienced engineers and technicians on staff at our full-service, in-house repair center

*InstraView*SM REMOTE INSPECTION

Remotely inspect equipment before purchasing with our interactive website at www.instraview.com ↗

WE BUY USED EQUIPMENT

Sell your excess, underutilized, and idle used equipment. We also offer credit for buy-backs and trade-ins. www.artisanng.com/WeBuyEquipment ↗

LOOKING FOR MORE INFORMATION?

Visit us on the web at www.artisanng.com ↗ for more information on price quotations, drivers, technical specifications, manuals, and documentation

Contact us: (888) 88-SOURCE | sales@artisanng.com | www.artisanng.com