



## Artisan Technology Group is your source for quality new and certified-used/pre-owned equipment

- FAST SHIPPING AND DELIVERY
- TENS OF THOUSANDS OF IN-STOCK ITEMS
- EQUIPMENT DEMOS
- HUNDREDS OF MANUFACTURERS SUPPORTED
- LEASING/MONTHLY RENTALS
- ITAR CERTIFIED SECURE ASSET SOLUTIONS

### SERVICE CENTER REPAIRS

Experienced engineers and technicians on staff at our full-service, in-house repair center

### *InstraView*<sup>SM</sup> REMOTE INSPECTION

Remotely inspect equipment before purchasing with our interactive website at [www.instraview.com](http://www.instraview.com) ↗

### WE BUY USED EQUIPMENT

Sell your excess, underutilized, and idle used equipment. We also offer credit for buy-backs and trade-ins. [www.artisanng.com/WeBuyEquipment](http://www.artisanng.com/WeBuyEquipment) ↗

### LOOKING FOR MORE INFORMATION?

Visit us on the web at [www.artisanng.com](http://www.artisanng.com) ↗ for more information on price quotations, drivers, technical specifications, manuals, and documentation

**Contact us:** (888) 88-SOURCE | [sales@artisanng.com](mailto:sales@artisanng.com) | [www.artisanng.com](http://www.artisanng.com)



**DIN-RAIL MOUNTABLE**

The Family of RCW Models

## FEATURES

- Wide range a-c input (85-264V a-c), power factor correction.
- 350W and 1500W models have current sharing for N+1 paralleling. The 750W models are limited to two units in parallel.
- RCW 350W and 1500W accept analog programming from 10% to full output voltage.
- Overcurrent limiter, square type.
- Undervoltage detector shuts down RCW if overload persists for more than 40 seconds.
- Overvoltage protector - immediate shutdown (reset by removing mains power for  $\approx$  40 seconds).
- Trimmable output voltage.
- Remote on/off logic.
- Alarm flags; OV, UV, thermal, fan.
- Power fail alarm (input power failure).
- Output overvoltage and thermal protection indicator (red).
- Output low voltage indication (red).
- Fan alarm indication (red).
- Remote error sensing: 0.15V for 3.3V models, 0.25V for 5.0V models, 0.4V for 12-48V models.
- UL/CSA/TÜV safety approval EN60950.
- FCC Class A and VDE 0871 Class B, EMI filter.
- 350W models are FCC Class B.
- Certified per MIL STD 810E.



The RCW are industrial grade switchers from Kepco/TDK. Available in 3 sizes, 350, 750 and 1500 watts, these models incorporate advanced power factor-corrected wide range input technology. An EMI filter is built in to ensure that the conducted EMI meets the FCC Class A limit. 350W models are filtered to FCC Class B.

Construction conforms to EN60950 (TÜV) as well as UL 1950 and CSA C22.2 No. 234, level 5. The power factor correction circuit ensures that current is drawn over the entire mains cycle to meet the harmonic current limit of EN61000-3-2.

Note: RCW models are form and fit interchangeable with RAX models in the 350W and 1500W sizes.

RCW are rugged, single-output power modules that can be individually installed or may be combined into a custom power assembly for multi-output requirements. Please see pages 131-135 for details on Kepco's Power Assembly Program.



## RCW MODEL TABLE

MODEL	OUTPUT VOLTAGE		OVP SETTING	OUTPUT CURRENT			CURRENT LIMIT	RIPPLE		NOISE	EFFICIENCY
	Volts		Volts	Amps			Amps	mV p-p		mV p-p	Percent, typ
	Factory Set	Adjustment Range	Nominal Input 25°C	50°C	60°C	71°C	Factory Set	Source max	Switching max	(Spikes) 20MHz	50-100% Load 120/240V
<b>350 WATT</b>											
RCW 3.3-70K	3.3	1.8-3.5	See note 1	70	49	28	73.0~84.0	20	50	100	65/68
RCW 5-70K	5	3.5-5.5	See note 1	70	49	28	73.0~84.0	20	50	100	72/76
RCW 12-30K	12	8.4-13.2	See note 1	30	21	12	31.5~36.0	20	70	150	75/78
RCW 15-24K	15	12.0-16.5	See note 1	24	16.8	9.6	25.2~28.8	20	70	150	75/78
RCW 24-16K	24	16.5-26.4	See note 1	16	11.2	6.4	16.8~19.2	20	100	200	76/79
RCW 28-13K	28	25.2-30.8	See note 1	13	9.1	5.2	13.6~15.6	20	100	200	77/80
RCW 48-7.5K	48	30.8-52.8	See note 1	7.5	5.25	3	7.8~9.0	20	100	300	79/82
<b>750 WATT</b>											
RCW 3.3-150K	3.3	2.7-3.6	3.8-4.6	150	105	60	157.0~175.0	20	50	200	71/73
RCW 5-150K	5	4.0-5.5	6.0-6.9	150	105	60	157.0~175.0	20	50	200	76/79
RCW 12-62K	12	8.4-13.2	13.7-15.7	62.5	43.7	25	65.0~71.0	20	80	250	77/80
RCW 15-50K	15	12.0-16.5	17.0-19.5	50	35	20	52.5~58.5	20	80	250	78/81
RCW 24-31K	24	16.5-26.4	27.0-30.5	31.3	21.9	12.5	32.8~36.0	20	120	300	79/82
RCW 28-26K	28	25.2-30.8	31.4-34.5	26.8	18.7	10.7	28.1~30.8	20	120	300	80/84
RCW 48-15K	48	32.6-52.8	54-59	15.7	11	6.3	16.4~18.1	20	200	500	82/85
<b>1500 WATT</b>											
RCW 3.3-300K	3.3	1.8-3.5	See note 1	300	210	120	315.0~350.0	20	100	200	70/73
RCW 5-300K	5	3.5-5.5	See note 1	300	210	120	315.0~350.0	20	100	200	75/80
RCW 12-125K	12	8.4-13.2	See note 1	125	87.5	50	130.0~140.0	20	100	250	76/81
RCW 15-100K	15	12.0-16.5	See note 1	100	70	40	105.0~115.0	20	100	250	76/81
RCW 24-65K	24	16.5-26.4	See note 1	65	45.5	26	68.0~72.0	20	100	200	78/82
RCW 28-55K	28	25.2-30.8	See note 1	55	38.5	22	57.7~63.2	20	100	200	79/83
RCW 48-32K	48	30.8-52.8	See note 1	32	22.4	12.8	33.8~36.8	20	100	300	80/84

(1) Tracks output setting +20 to +40% above setting voltage. (350W and 1500W models only).



**CE** RCW are CE marked per the Low Voltage Directive (LVD), EN60950.

## RCW GENERAL SPECIFICATIONS

SPECIFICATION	RATING/DESCRIPTION	CONDITION
Temperature	-10° to +71°C (see model table)	Operating <sup>(1)</sup>
	-30° to +75°C	Storage
Humidity	0 to 95% RH	Non-condensing Operating & storage
Shock	30g 11(±5) msec half sine (60g without fan)	3-axes 3 shocks each axis
Vibration	5-10Hz 10mm double amplitude	Non-operating 1 hour each axis
	10-55Hz 2g	
Altitude	Sea level to 10,000 ft	
Isolation Output-Case	500V d-c, 100M Ohm <sup>(2)</sup>	25°C, 65% RH
Withstand Voltage	Input-Output	25°C, 65% RH Y caps removed
	Input-Case	
Safety	UL 1950; EN60950 (TÜV); CSA 1402C & CSA 22.2, no. 234	See note 3
Flags	Overvoltage, undervoltage Fan stop, input alarm	Red LEDs
	Output on	Green LED
Cooling	Internal d-c fan	

(1) RCW will start at temperatures as low as -20°C. When self-heating warms them to -10°C and above, normal operation will be obtained.

(2) Surge: withstands 2KV, 1µsec between a-c input and ground.

(3) The 350W models are also listed to UL508 with DIN-Rail mounting kit factory installed.



KEPCO, INC. • 131-38 Sanford Avenue • Flushing, NY 11352 USA • Tel: (718) 461-7000 • Fax: (718) 767-1102

Email: [hq@kepcopower.com](mailto:hq@kepcopower.com) • [www.kepcopower.com/rcw.htm](http://www.kepcopower.com/rcw.htm)

Artisan Technology Group - Quality Instrumentation ... Guaranteed | (888) 88-SOURCE | [www.artisanTG.com](http://www.artisanTG.com)

**RCW INPUT CHARACTERISTICS**

SPECIFICATION	RATING/DESCRIPTION			CONDITION
	350 W	750W	1500W	
a-c Voltage nominal	100-120, 200-240V a-c			Single phase
range	85-264V a-c			Wide range
Source Frequency	47-440Hz			Leakage current is higher
d-c Voltage(1) range	125-370V d-c(1)			Polarity insensitive
Brownout Voltage min	80V a-c, 110V d-c			
Fuse Value	10A, 250V	20A, 250V	30A, 250V	
Frequency nominal	50-60Hz			(47-66Hz)
Current (max)	100-120V a-c 200-240V a-c	5.6A 2.8A	12A 6A	22A 11A
Initial Turn-on Surge (max)	120V a-c 240V a-c	20A 40A	20A 40A	20A 40A
Power Factor min	0.99			Turn on interval >30 seconds
Efficiency	See model table			100% load
Current Harmonics	Meets EN61000-3-2 limits			
EMI	Meets FCC Class A			
Leakage Current (max)	120V a-c 240V a-c	<0.5mA <0.75A	<1.0mA <2.0mA	<1.0mA <2.0mA
Circuit Type	Forward converter			UL method, 50-60Hz VDE method, 2-pole disconnect
Soft Start	Resistor-thyristor			
Startup Time (msec)	typ	500	600	
	max	900		

(1) Safety agency approvals are valid only for a-c input because of the fuse rating.

**RCW OUTPUT CHARACTERISTICS**

SPECIFICATION	RATING/DESCRIPTION	CONDITION	
Source Effect	0.05% typ	Nominal ±15%, 0.1% max	
Load Effect	0.2% typ	10%-100% load 0.3% max(2)	
Temperature Effect	0.5% typ, 1.0% max	Per °C, 0-50°C	
Combined Effect	±0.7% typ, ±1.5% max	-10° to +70°C	
Time Effect (drift)	0.2% typ, 0.5% max	0.5-8.5 hours at 25°C	
Hold Up Time	30msec typ, 20msec min	120V a-c	
Error Sense	3.3/5V Other models	0.15/0.25V 0.4V	Voltage allowance per wire
Recovery Charac-teristic	Excursion Recovery Time	<4% (1) <1.0msec	50-100% load change: 1A/µsec <20A 5A/µsec >20A

(1) 1500W models: 1.0 Volts.

(2) 750W models: 0.1% typ, 0.3% max.

**RCW CONTROL**

SPECIFICATION	RATING/DESCRIPTION	CONDITION
Voltage Set Programming	Internal External	Multiturn potentiometer Resistance, 5K (10K for RCW 48-15K only)
Current Balance		Equalizes the current for paralleled units within 10%
Remote ON/OFF		TTL level H = on, L = off
		Internal pull up supply, isolated



Model RCW 12-30K 350W



Model RCW 5-150K 750W



Model RCW 5-300K 1500W





**DIMENSIONS (HxWxD)**

**350W** inches — 4.3 x 5.12 x 8.7  
 mm — 110 x 130 x 220

**750W** inches — 4.3 x 7.9 x 9.5  
 mm — 110 x 200 x 240

**1500W** inches — 4.3 x 8.0 x 12.6  
 mm — 110 x 203 x 320

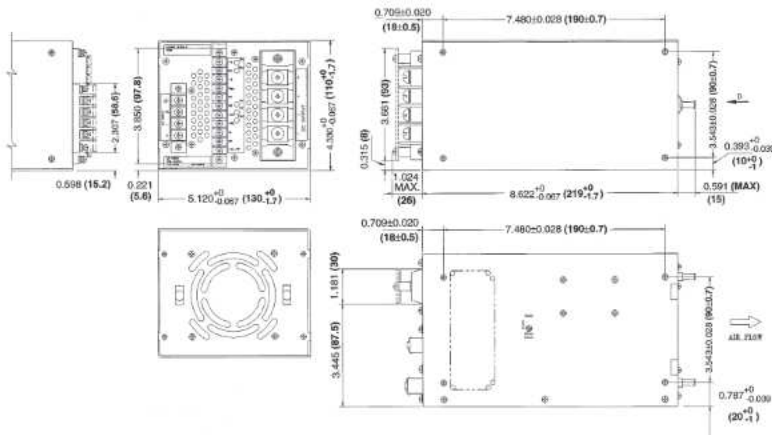
**WEIGHT (Packed for shipment)**

**350W** 7.0lbs, 3.2Kg  
**750W** 13.0lbs, 5.9Kg  
**1500W** 17.0lbs, 7.7Kg

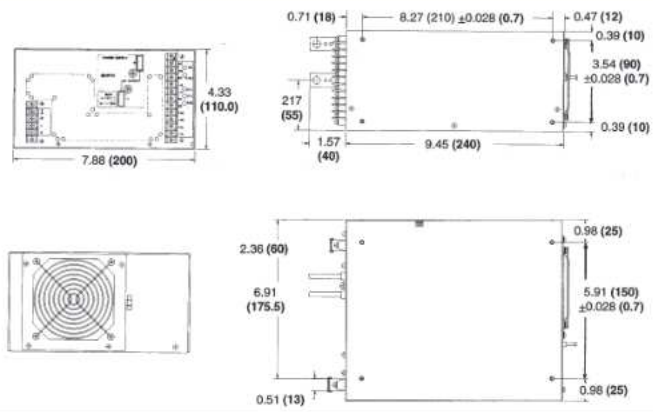
**RCW EMC COMPATIBILITY**

ARTICLE		RATING/DESCRIPTION	CONDITION
Incoming Noise	Input-Input Input-Ground	1μs, 2KV pulse	<5 min. operating
Surge Withstand	Input-Input Input-Ground	1.2μs x 50μs, 3KV pulse	Operating Series resistor 100Ω
Immunity to Electrostatic Discharge	Frame Cover-Ground	10KV	Charge capacitor 500pF Series resistor 100Ω Operating

**RCW  
350 Watt  
Models**

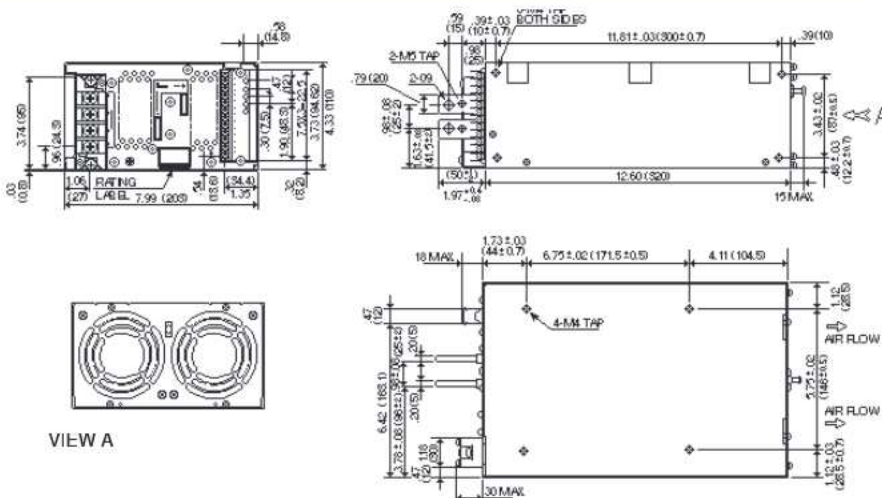


**RCW  
750 Watt  
Models**



**Tolerances:**  
 0.028" (0.7mm)  
 between  
 mounting holes,  
 0.04" (1.0mm)  
 other dimensions.

**RCW  
1500 Watt  
Models**



**Mounting:**  
**100W, 175W, 350W  
 and 1500W:**  
 Metric, M-4 tapped  
 holes—(4) bottom,  
 (3) each side;  
 maximum screw  
 penetration  
 0.24" (6mm).

**750W:**  
 M-4 tapped holes—  
 (4) bottom,  
 (4) each side;  
 maximum screw  
 penetration  
 0.24" (6mm).



## Artisan Technology Group is your source for quality new and certified-used/pre-owned equipment

- FAST SHIPPING AND DELIVERY
- TENS OF THOUSANDS OF IN-STOCK ITEMS
- EQUIPMENT DEMOS
- HUNDREDS OF MANUFACTURERS SUPPORTED
- LEASING/MONTHLY RENTALS
- ITAR CERTIFIED SECURE ASSET SOLUTIONS

### SERVICE CENTER REPAIRS

Experienced engineers and technicians on staff at our full-service, in-house repair center

### *InstraView*<sup>SM</sup> REMOTE INSPECTION

Remotely inspect equipment before purchasing with our interactive website at [www.instraview.com](http://www.instraview.com) ↗

### WE BUY USED EQUIPMENT

Sell your excess, underutilized, and idle used equipment. We also offer credit for buy-backs and trade-ins. [www.artisanng.com/WeBuyEquipment](http://www.artisanng.com/WeBuyEquipment) ↗

### LOOKING FOR MORE INFORMATION?

Visit us on the web at [www.artisanng.com](http://www.artisanng.com) ↗ for more information on price quotations, drivers, technical specifications, manuals, and documentation

**Contact us:** (888) 88-SOURCE | [sales@artisanng.com](mailto:sales@artisanng.com) | [www.artisanng.com](http://www.artisanng.com)